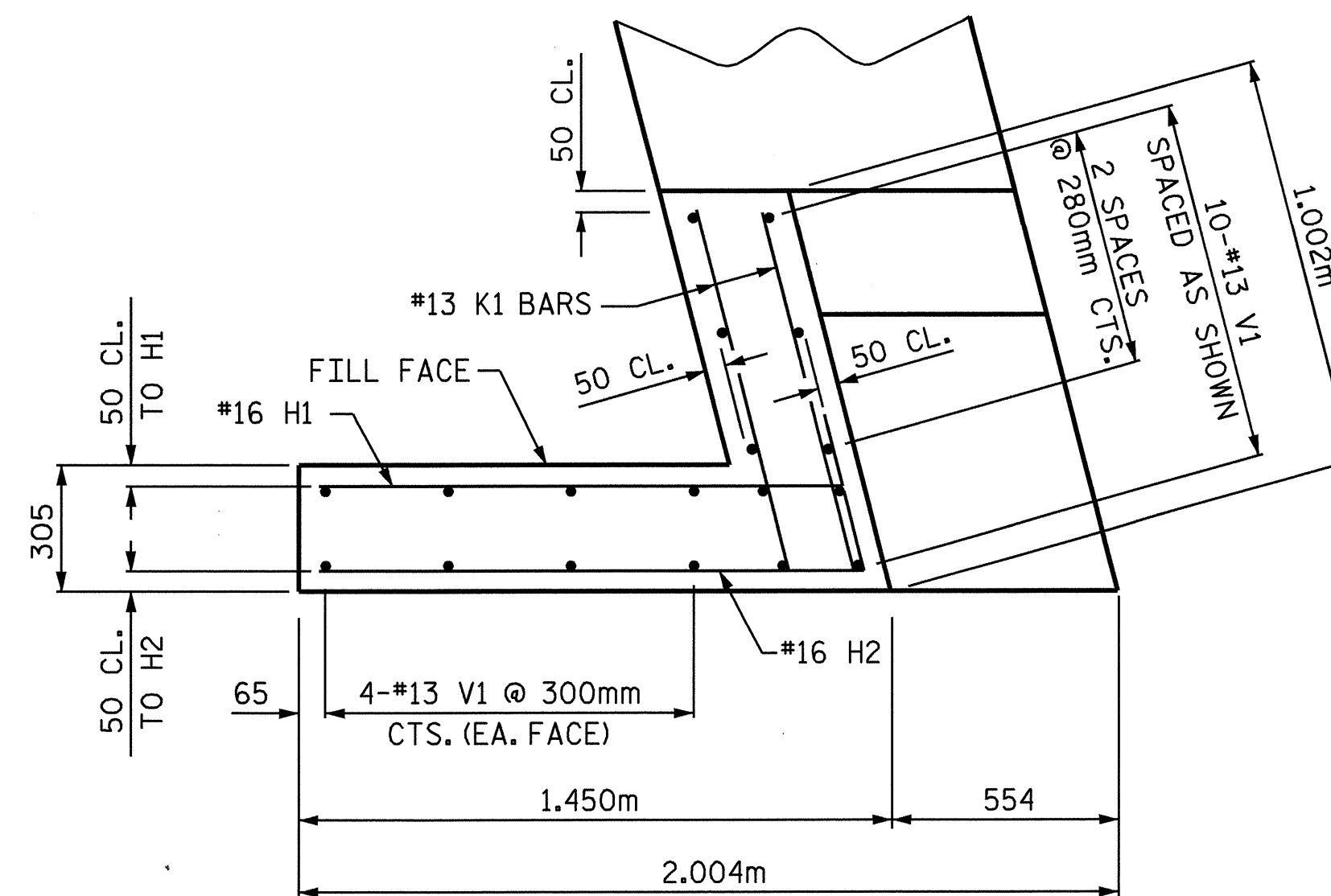
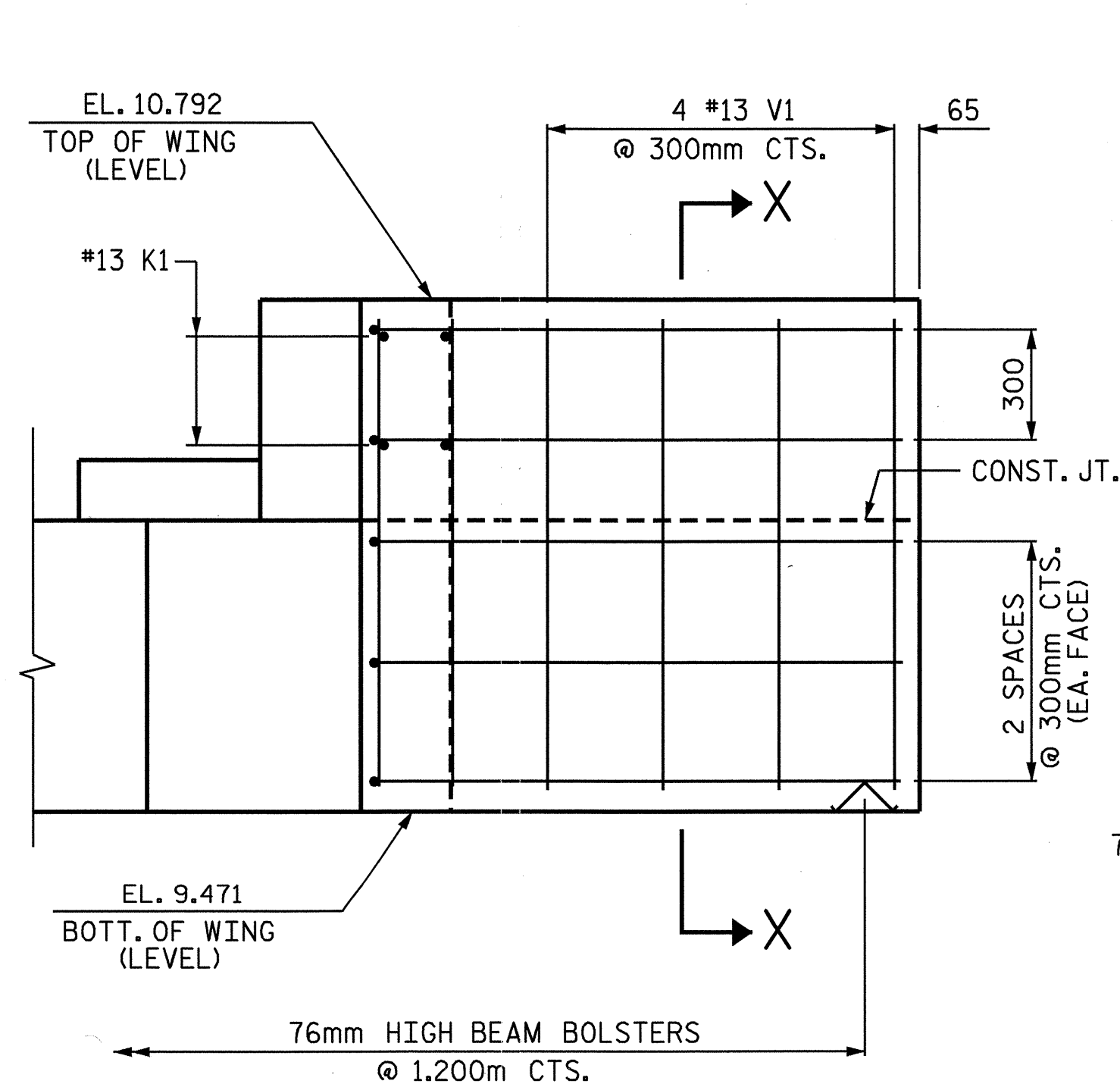


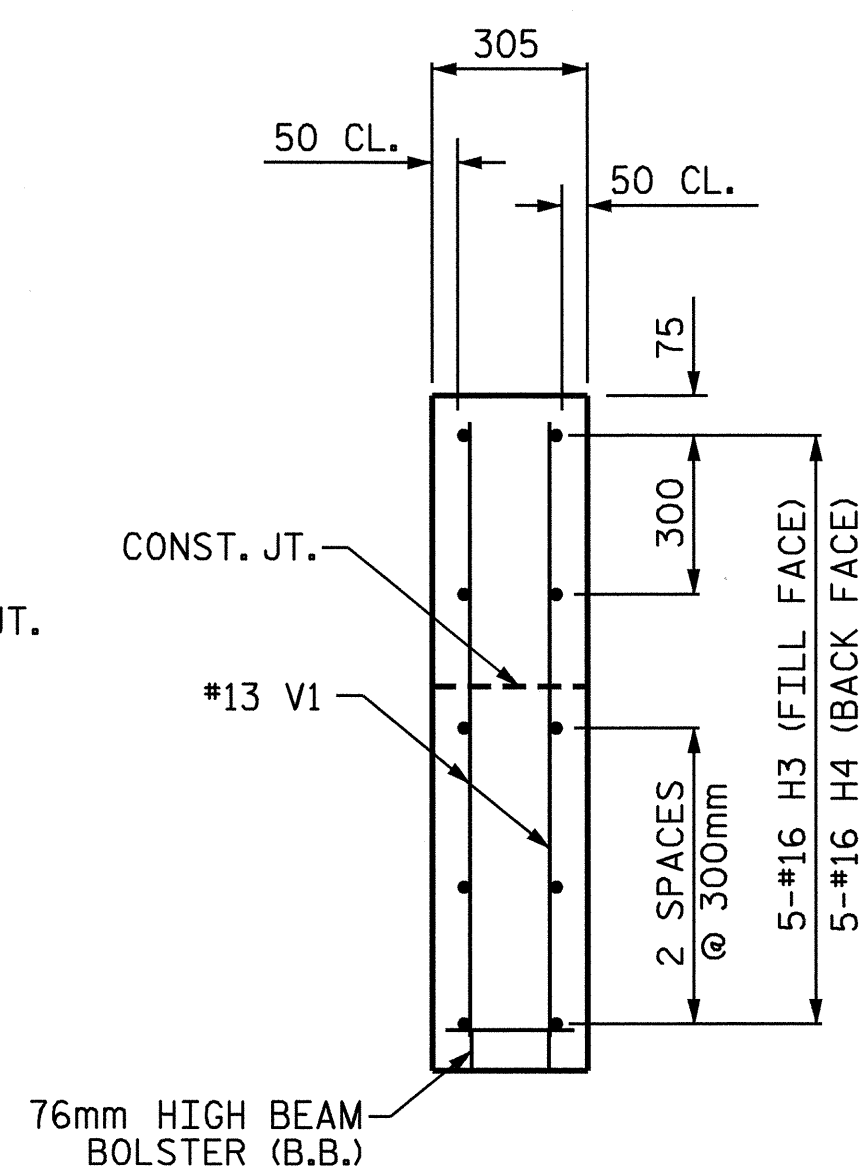
PLAN OF WING - W1



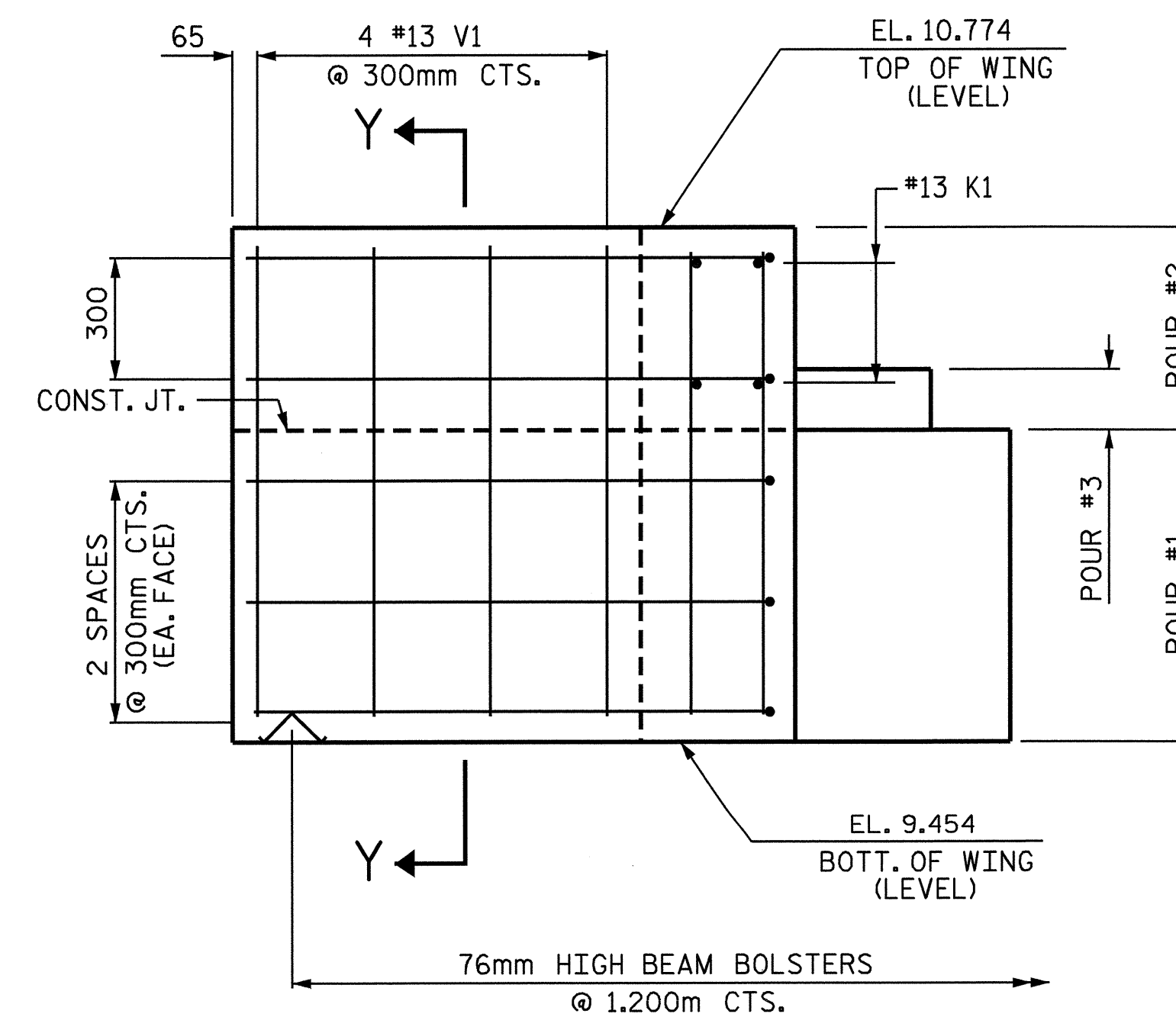
PLAN OF WING - W2



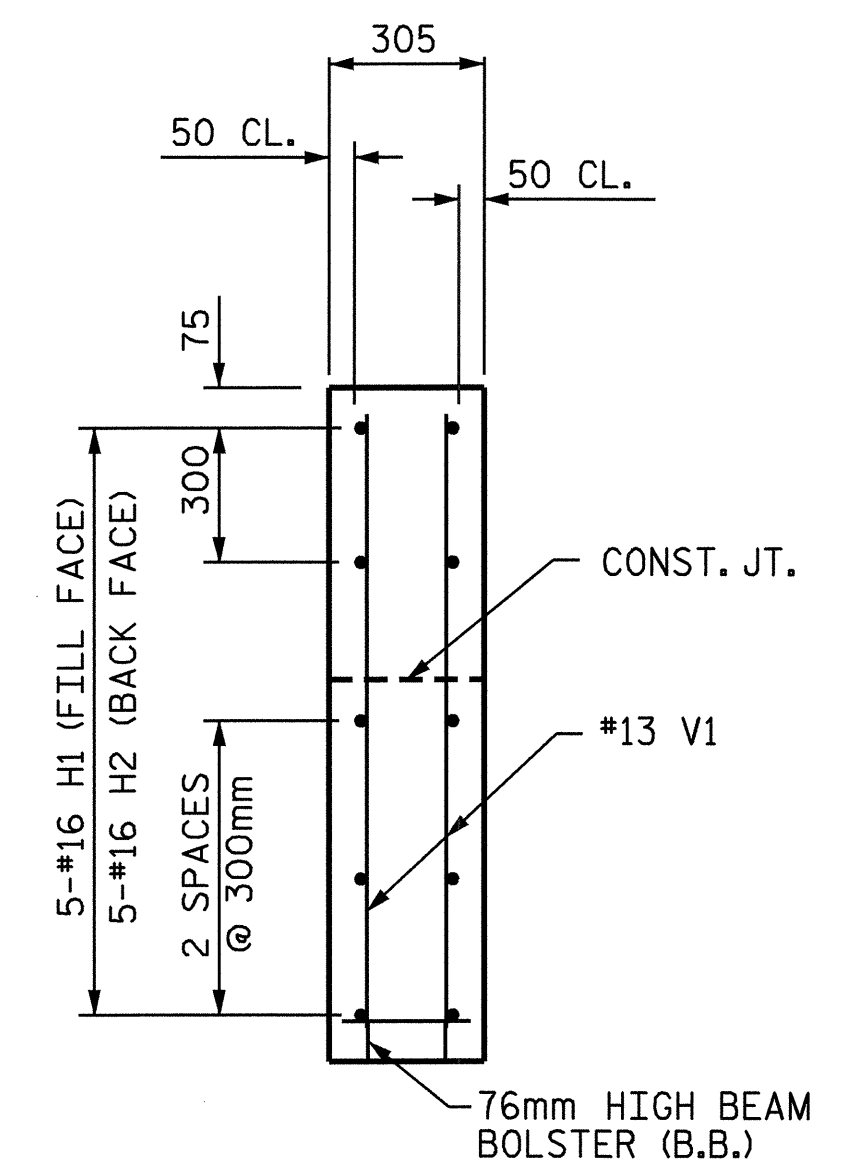
ELEVATION OF WING - W1



SECTION X-X



ELEVATION OF WING - W2



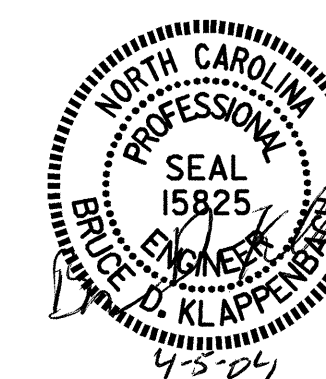
SECTION Y-Y

PROJECT NO. R-2514A
 ONSLOW COUNTY
 STATION: 182+87.40 -L- MED.

SHEET 2 OF 3

STATE OF NORTH CAROLINA
 DEPARTMENT OF TRANSPORTATION
 RALEIGH

SUBSTRUCTURE
 END BENT #1
 (LEFT LANE)



REVISIONS						SHEET NO.	
NO.	BY:	DATE:	NO.	BY:	DATE:	S-10	
1			3			TOTAL SHEETS	
2			4			46	

DRAWN BY: J.B. WILSON DATE: 10/04
 CHECKED BY: G.M. Patterson DATE: 11/04

06-JAN-2004 15:17
 W:\squad1\2514a\Strland2\jwilson\Microstation\R-2514A_sd.E*L0L.dgn
 jwilson