

**BILL OF MATERIAL**  
**FOR ONE APPROACH SLAB (2 REQ'D)**

| BAR   | NO. | SIZE | TYPE | LENGTH | WEIGHT | BAR   | NO. | SIZE | TYPE | LENGTH | WEIGHT | BAR   | NO. | SIZE | TYPE | LENGTH | WEIGHT | BAR   | NO. | SIZE | TYPE | LENGTH | WEIGHT | BAR  | NO. | SIZE | TYPE | LENGTH | WEIGHT | BAR | NO. | SIZE | TYPE | LENGTH | WEIGHT |
|-------|-----|------|------|--------|--------|-------|-----|------|------|--------|--------|-------|-----|------|------|--------|--------|-------|-----|------|------|--------|--------|------|-----|------|------|--------|--------|-----|-----|------|------|--------|--------|
| *A1   | 49  | *16  | STR  | 12620  | 960    | A207  | 2   | *13  | STR  | 5440   | 11     | *B117 | 2   | *19  | STR  | 9400   | 42     | *B140 | 2   | *19  | STR  | 7560   | 34     | B220 | 2   | *25  | STR  | 9320   | 74     | *B1 | 1   | *16  | 3    | 1980   | 3      |
|       |     |      |      |        |        | A208  | 2   | *13  | STR  | 4320   | 9      | *B118 | 2   | *19  | STR  | 9320   | 42     | *B141 | 2   | *19  | STR  | 7480   | 33     | B221 | 2   | *25  | STR  | 9240   | 73     | *B2 | 1   | *16  | 3    | 1900   | 3      |
| *A101 | 2   | *16  | STR  | 12160  | 38     | A209  | 2   | *13  | STR  | 3200   | 6      | *B119 | 2   | *19  | STR  | 9240   | 41     | *B142 | 2   | *19  | STR  | 7400   | 33     | B222 | 2   | *25  | STR  | 9160   | 73     | *B3 | 7   | *16  | STR  | 3520   | 38     |
| *A102 | 2   | *16  | STR  | 11040  | 34     | A210  | 2   | *13  | STR  | 2080   | 4      | *B120 | 2   | *19  | STR  | 9160   | 41     |       |     |      |      |        |        | B223 | 2   | *25  | STR  | 9080   | 72     | *B4 | 7   | *16  | STR  | 3560   | 39     |
| *A103 | 2   | *16  | STR  | 9920   | 31     | A211  | 2   | *13  | STR  | 960    | 2      | *B121 | 2   | *19  | STR  | 9080   | 41     | B201  | 2   | *25  | STR  | 10840  | 86     | B224 | 2   | *25  | STR  | 9000   | 72     |     |     |      |      |        |        |
| *A104 | 2   | *16  | STR  | 8800   | 27     | A212  | 1   | *13  | STR  | 400    | 1      | *B122 | 2   | *19  | STR  | 9000   | 40     | B202  | 2   | *25  | STR  | 10760  | 85     | B225 | 2   | *25  | STR  | 8920   | 71     | *G1 | 1   | *16  | STR  | 13120  | 20     |
| *A105 | 2   | *16  | STR  | 7680   | 24     |       |     |      |      |        |        | *B123 | 2   | *19  | STR  | 8920   | 40     | B203  | 2   | *25  | STR  | 10680  | 85     | B226 | 2   | *25  | STR  | 8840   | 70     |     |     |      |      |        |        |
| *A106 | 2   | *16  | STR  | 6560   | 20     | *B101 | 2   | *19  | STR  | 10680  | 48     | *B124 | 2   | *19  | STR  | 8840   | 40     | B204  | 2   | *25  | STR  | 10600  | 84     | B227 | 2   | *25  | STR  | 8760   | 70     | *S1 | 58  | *16  | STR  | 1020   | 92     |
| *A107 | 2   | *16  | STR  | 5440   | 17     | *B102 | 2   | *19  | STR  | 10600  | 47     | *B125 | 2   | *19  | STR  | 8760   | 39     | B205  | 2   | *25  | STR  | 10520  | 84     | B228 | 2   | *25  | STR  | 8680   | 69     | *S2 | 42  | *16  | 1    | 1260   | 82     |
| *A108 | 2   | *16  | STR  | 4320   | 13     | *B103 | 2   | *19  | STR  | 10520  | 47     | *B126 | 2   | *19  | STR  | 8680   | 39     | B206  | 2   | *25  | STR  | 10440  | 83     | B229 | 2   | *25  | STR  | 8600   | 68     | *S3 | 20  | *16  | 2    | 720    | 22     |
| *A109 | 2   | *16  | STR  | 3200   | 10     | *B104 | 2   | *19  | STR  | 10440  | 47     | *B127 | 2   | *19  | STR  | 8600   | 38     | B207  | 2   | *25  | STR  | 10360  | 82     | B230 | 2   | *25  | STR  | 8520   | 68     |     |     |      |      |        |        |
| *A110 | 2   | *16  | STR  | 2080   | 6      | *B105 | 2   | *19  | STR  | 10360  | 46     | *B128 | 2   | *19  | STR  | 8520   | 38     | B208  | 2   | *25  | STR  | 10280  | 82     | B231 | 2   | *25  | STR  | 8440   | 67     |     |     |      |      |        |        |
| *A111 | 2   | *16  | STR  | 960    | 3      | *B106 | 2   | *19  | STR  | 10280  | 46     | *B129 | 2   | *19  | STR  | 8440   | 38     | B209  | 2   | *25  | STR  | 10200  | 81     | B232 | 2   | *25  | STR  | 8360   | 66     |     |     |      |      |        |        |
| *A112 | 1   | *16  | STR  | 400    | 1      | *B107 | 2   | *19  | STR  | 10200  | 46     | *B130 | 2   | *19  | STR  | 8360   | 37     | B210  | 2   | *25  | STR  | 10120  | 80     | B233 | 2   | *25  | STR  | 8280   | 66     |     |     |      |      |        |        |
|       |     |      |      |        |        | *B108 | 2   | *19  | STR  | 10120  | 45     | *B131 | 2   | *19  | STR  | 8280   | 37     | B211  | 2   | *25  | STR  | 10040  | 80     | B234 | 2   | *25  | STR  | 8200   | 65     |     |     |      |      |        |        |
| A2    | 98  | *13  | STR  | 6620   | 645    | *B109 | 2   | *19  | STR  | 10040  | 45     | *B132 | 2   | *19  | STR  | 8200   | 37     | B212  | 2   | *25  | STR  | 9960   | 79     | B235 | 2   | *25  | STR  | 8120   | 65     |     |     |      |      |        |        |
|       |     |      |      |        |        | *B110 | 2   | *19  | STR  | 9960   | 45     | *B133 | 2   | *19  | STR  | 8120   | 36     | B213  | 2   | *25  | STR  | 9880   | 79     | B236 | 2   | *25  | STR  | 8040   | 64     |     |     |      |      |        |        |
| A201  | 4   | *13  | STR  | 6360   | 25     | *B111 | 2   | *19  | STR  | 9880   | 44     | *B134 | 2   | *19  | STR  | 8040   | 36     | B214  | 2   | *25  | STR  | 9800   | 78     | B237 | 2   | *25  | STR  | 7960   | 63     |     |     |      |      |        |        |
| A202  | 4   | *13  | STR  | 5800   | 23     | *B112 | 2   | *19  | STR  | 9800   | 44     | *B135 | 2   | *19  | STR  | 7960   | 36     | B215  | 2   | *25  | STR  | 9720   | 77     | B238 | 2   | *25  | STR  | 7880   | 63     |     |     |      |      |        |        |
| A203  | 4   | *13  | STR  | 5240   | 21     | *B113 | 2   | *19  | STR  | 9720   | 43     | *B136 | 2   | *19  | STR  | 7880   | 35     | B216  | 2   | *25  | STR  | 9640   | 77     | B239 | 2   | *25  | STR  | 7800   | 62     |     |     |      |      |        |        |
| A204  | 2   | *13  | STR  | 8800   | 17     | *B114 | 2   | *19  | STR  | 9640   | 43     | *B137 | 2   | *19  | STR  | 7800   | 35     | B217  | 2   | *25  | STR  | 9560   | 76     | B240 | 2   | *25  | STR  | 7720   | 61     |     |     |      |      |        |        |
| A205  | 2   | *13  | STR  | 7680   | 15     | *B115 | 2   | *19  | STR  | 9560   | 43     | *B138 | 2   | *19  | STR  | 7720   | 35     | B218  | 2   | *25  | STR  | 9480   | 75     | B241 | 2   | *25  | STR  | 7640   | 61     |     |     |      |      |        |        |
| A206  | 2   | *13  | STR  | 6560   | 13     | *B116 | 2   | *19  | STR  | 9480   | 42     | *B139 | 2   | *19  | STR  | 7640   | 34     | B219  | 2   | *25  | STR  | 9400   | 75     | B242 | 2   | *25  | STR  | 7560   | 60     |     |     |      |      |        |        |

REINFORCING STEEL = 3863 KG  
\*EPOXY COATED REINF. STEEL = 3181 KG  
CLASS AA CONCRETE BREAKDOWN  
POUR 1 SLAB = 37.8m<sup>3</sup>  
POUR 2 RAIL = 1.8m<sup>3</sup>  
TOTAL CLASS AA CONCRETE = 39.6m<sup>3</sup>

**NOTES**

THE COST OF THE BARRIER RAIL ON THE APPROACH SLAB SHALL BE INCLUDED IN THE LUMP SUM CONTRACT PRICE BID FOR BRIDGE APPROACH SLABS.

FOR REINFORCED BRIDGE APPROACH FILL INCLUDING FABRIC, IMPERMEABLE GEOMEMBRANE, 102mm Ø DRAINAGE PIPE, \*78M STONE, AND SELECT MATERIAL, SEE ROADWAY PLANS.

TEMPORARY DRAINAGE AND TEMPORARY BERM AND SLOPE DRAINS WILL BE PAID FOR UNDER THE LUMP SUM PRICE FOR BRIDGE APPROACH SLAB.

AREA BETWEEN THE WINGWALL AND APPROACH SLAB SHALL BE GRADED TO DRAIN THE WATER AWAY FROM THE FILL FACE OF THE BRIDGE AND SHALL BE PAVED. SEE ROADWAY PLANS.

THE 150mm COMP. A.B.C. SHALL EXTEND 3m BEYOND THE END OF THE APPROACH SLAB AND 300mm OUTSIDE OF EACH EDGE OF THE SLAB.

THE CONTRACTOR MAY USE 100mm TYPE B-25.0B ASPHALT CONCRETE COURSE IN LIEU OF 150mm COMP. A.B.C. IF THIS OPTION IS USED, THE BASE COURSE SHALL EXTEND 300mm BEYOND THE END OF THE APPROACH SLAB AND THE WIDTH SHALL BE THE SAME AS THAT OF THE APPROACH SLAB.

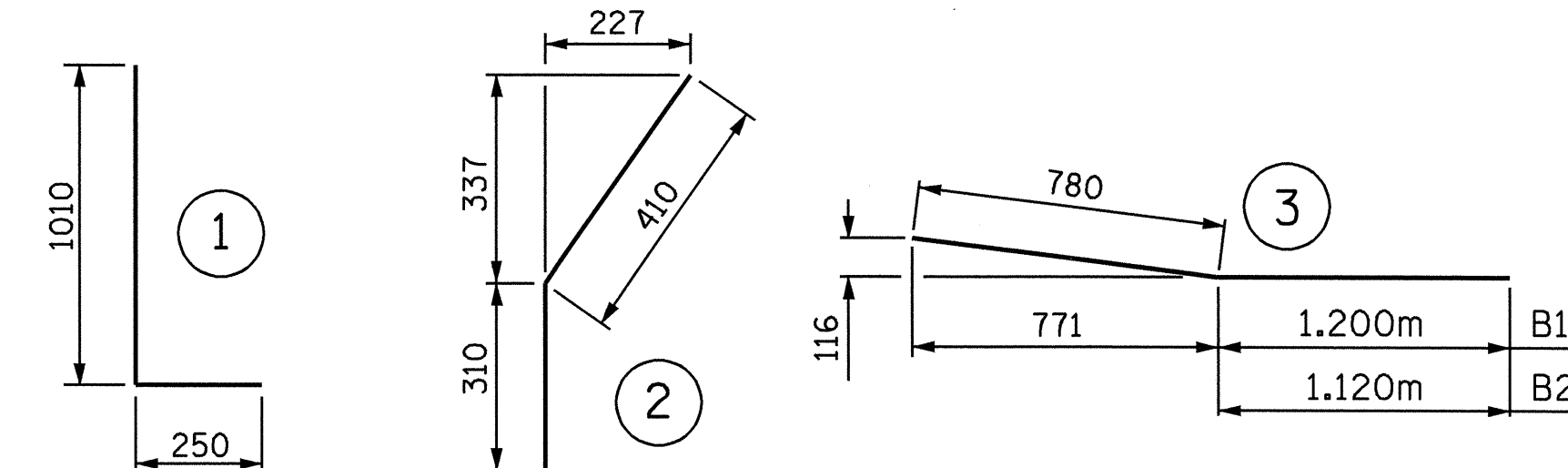
THE CONTRACTOR MAY USE 125mm CLASS "A" CONCRETE BASE IN LIEU OF 150mm COMP. A.B.C. IF THIS OPTION IS USED, THE CONCRETE BASE SHALL EXTEND 300mm BEYOND THE END OF THE APPROACH SLAB AND THE WIDTH SHALL BE THE SAME AS THAT OF THE APPROACH SLAB. THE CONCRETE SHALL BE FINISHED TO A SMOOTH SURFACE AND A LAYER OF 13.6 kg ROOFING FELT SHALL BE PLACED BETWEEN THE CONCRETE BASE AND THE APPROACH SLAB TO PREVENT BOND. THE APPROACH SLAB SHALL NOT BE CAST UNTIL THE CONCRETE BASE HAS REACHED AN AGE OF THREE CURING DAYS.

FOR JOINT DETAILS, SEE "PRESTRESSED CONCRETE CORED SLAB UNIT" SHEETS.

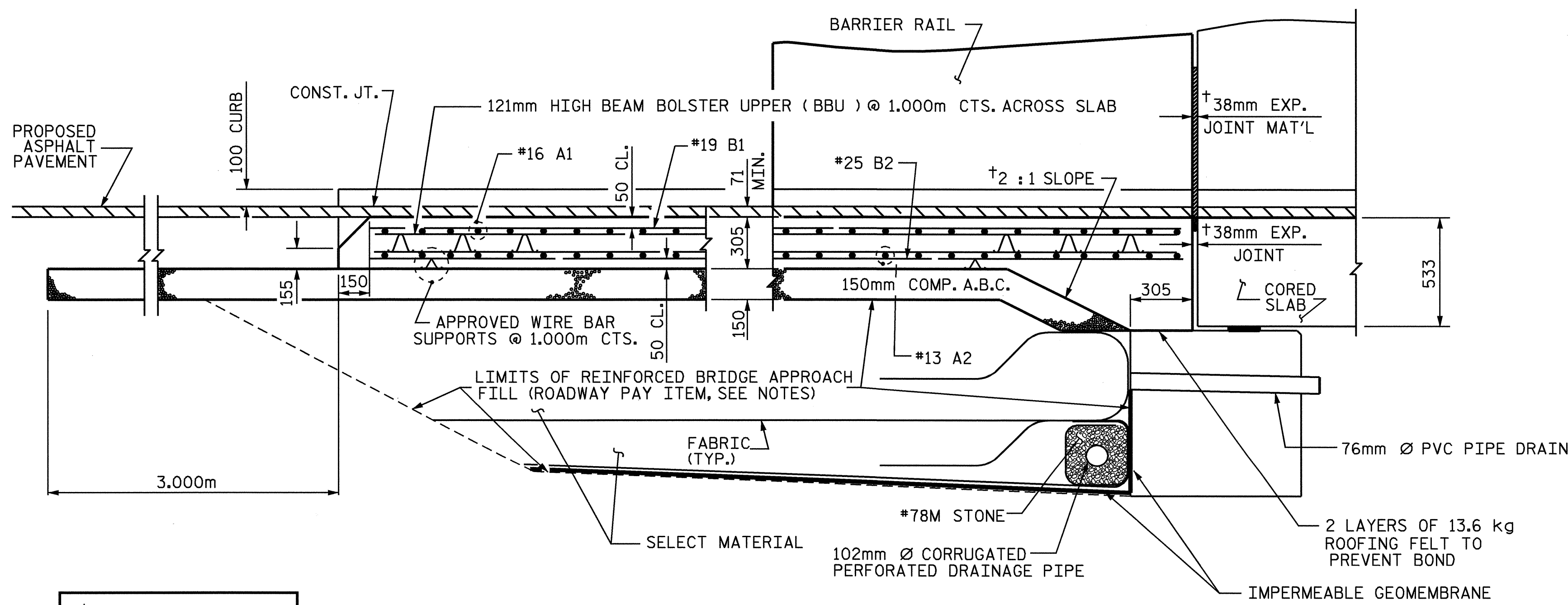
THE JOINT AT THE END BENT SHALL BE SEALED AS SOON AS PRACTICAL AFTER THE CONSTRUCTION OF THE APPROACH SLABS.

APPROACH SLAB GROOVING IS NOT REQUIRED.

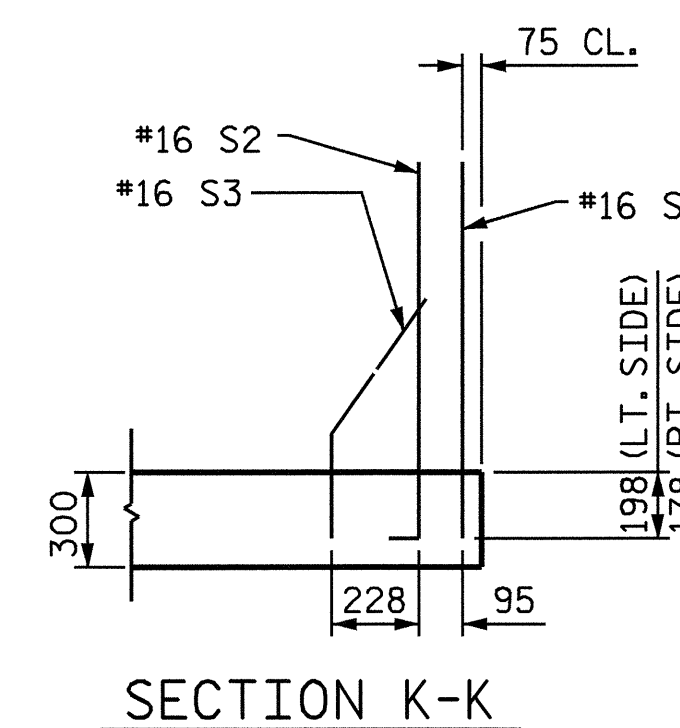
**BAR TYPES**



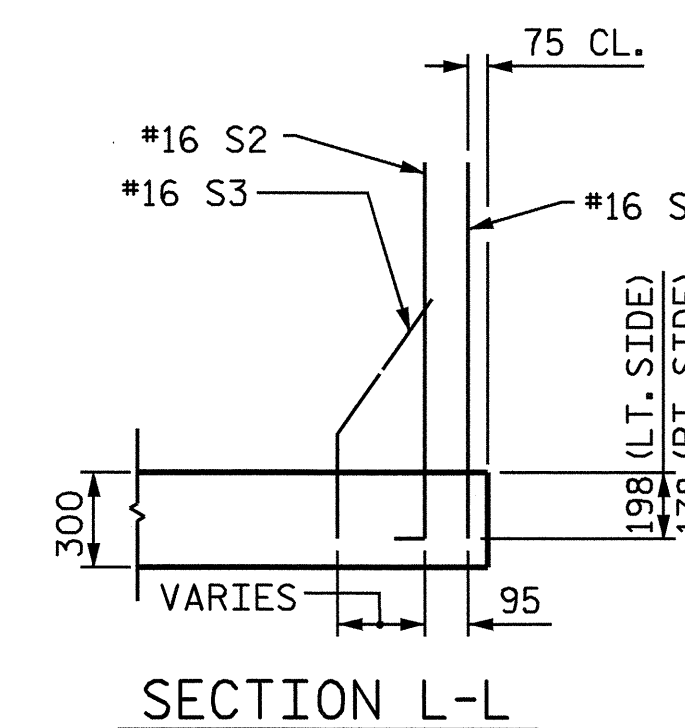
ALL BAR DIMENSIONS ARE OUT TO OUT



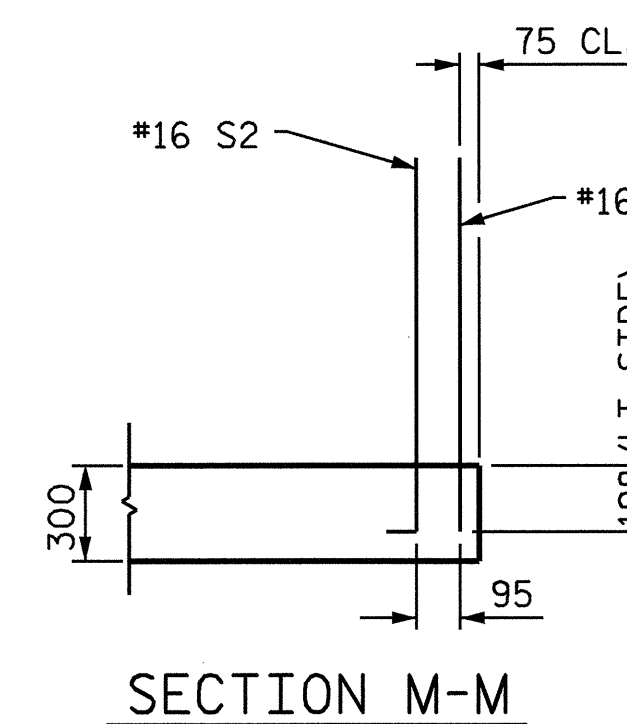
**SECTION THRU SLAB**



**SECTION K-K**



**SECTION L-L**

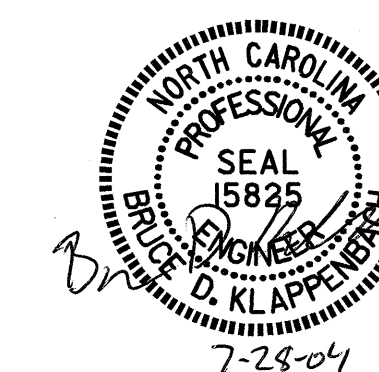


**SECTION M-M**

PROJECT NO. R-2514A  
ONslow COUNTY  
STATION: 182+87.400-L-MED

SHEET 1 OF 4

STATE OF NORTH CAROLINA  
DEPARTMENT OF TRANSPORTATION  
RALEIGH  
**BRIDGE APPROACH SLAB FOR PRESTRESSED CONCRETE CORED SLAB WITH BARRIER RAIL (LEFT LANE)**



**REVISIONS**

| NO. | BY: | DATE: | NO. | BY: | DATE: | SHEET NO.       |
|-----|-----|-------|-----|-----|-------|-----------------|
| 1   |     |       | 3   |     |       | 5-20            |
| 2   |     |       | 4   |     |       | TOTAL SHEETS 46 |

DRAWN BY: J.B. WILSON DATE: 4/04  
CHECKED BY: G.M. PATTERSON DATE: 4/04

27-JUL-2004 11:26  
w:\squad1\R2514a\Strland2\jwilson\Microstation\R-2514a.sd..AS.01.dgn  
bklappenbach

STR. #1