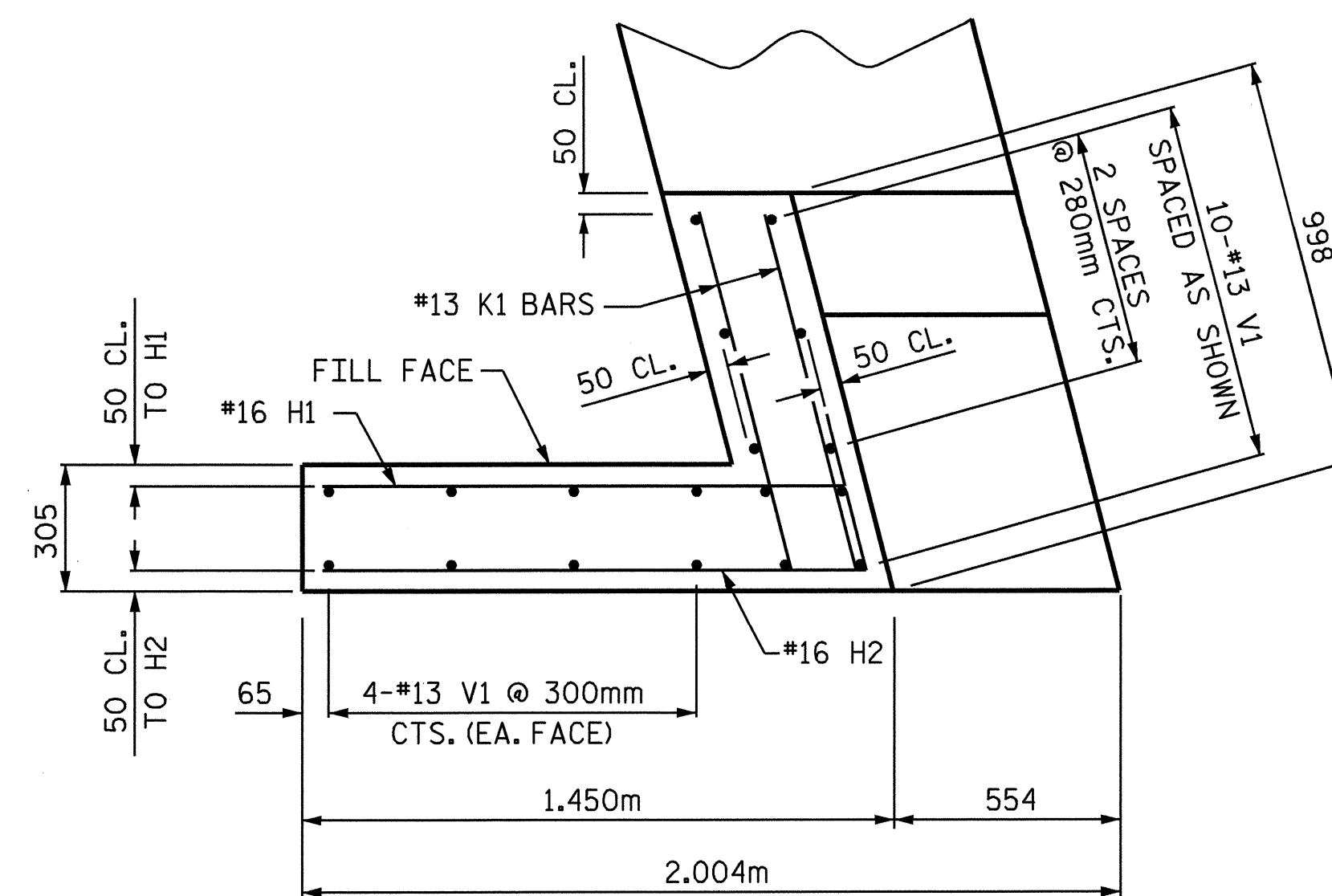
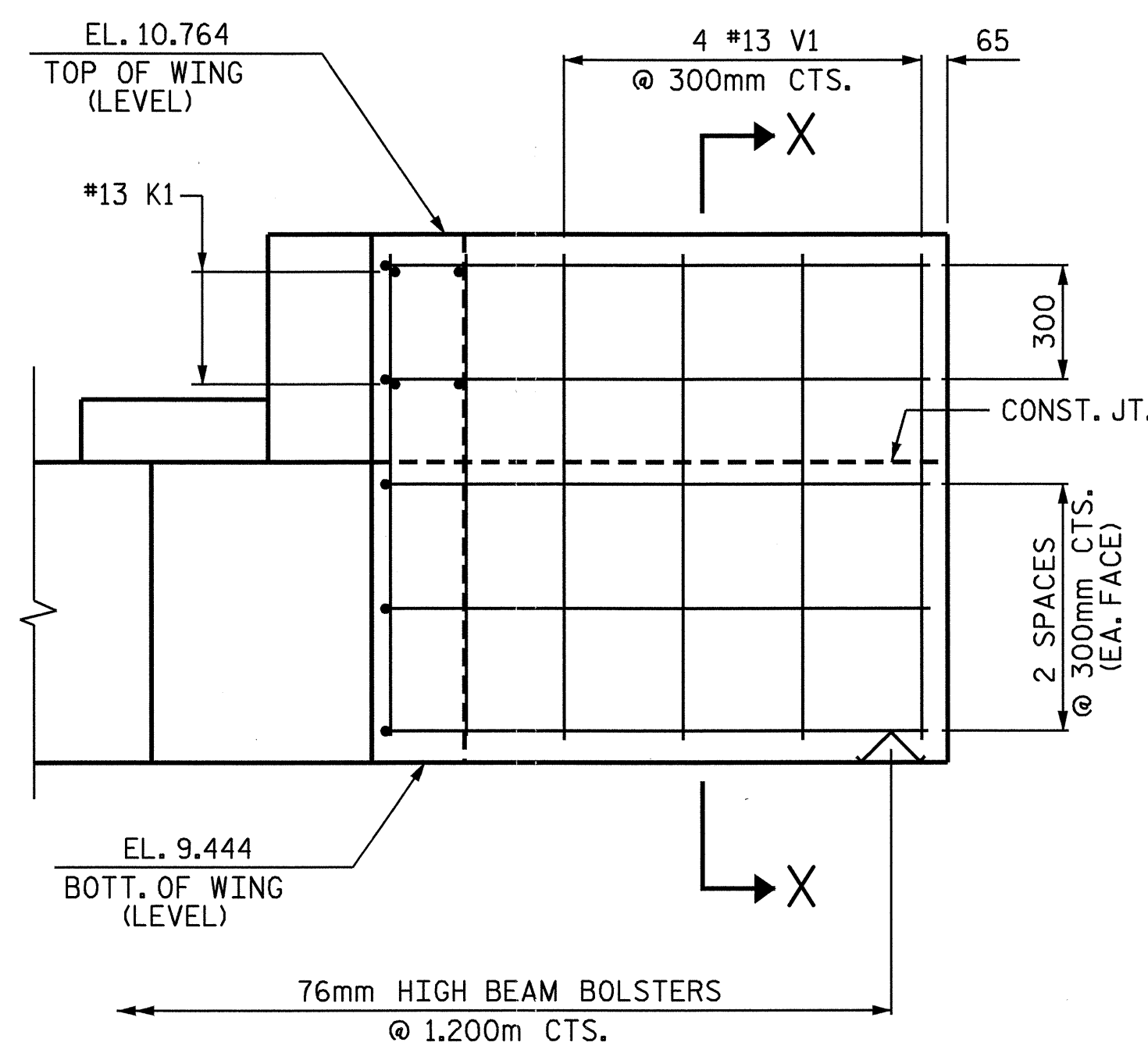


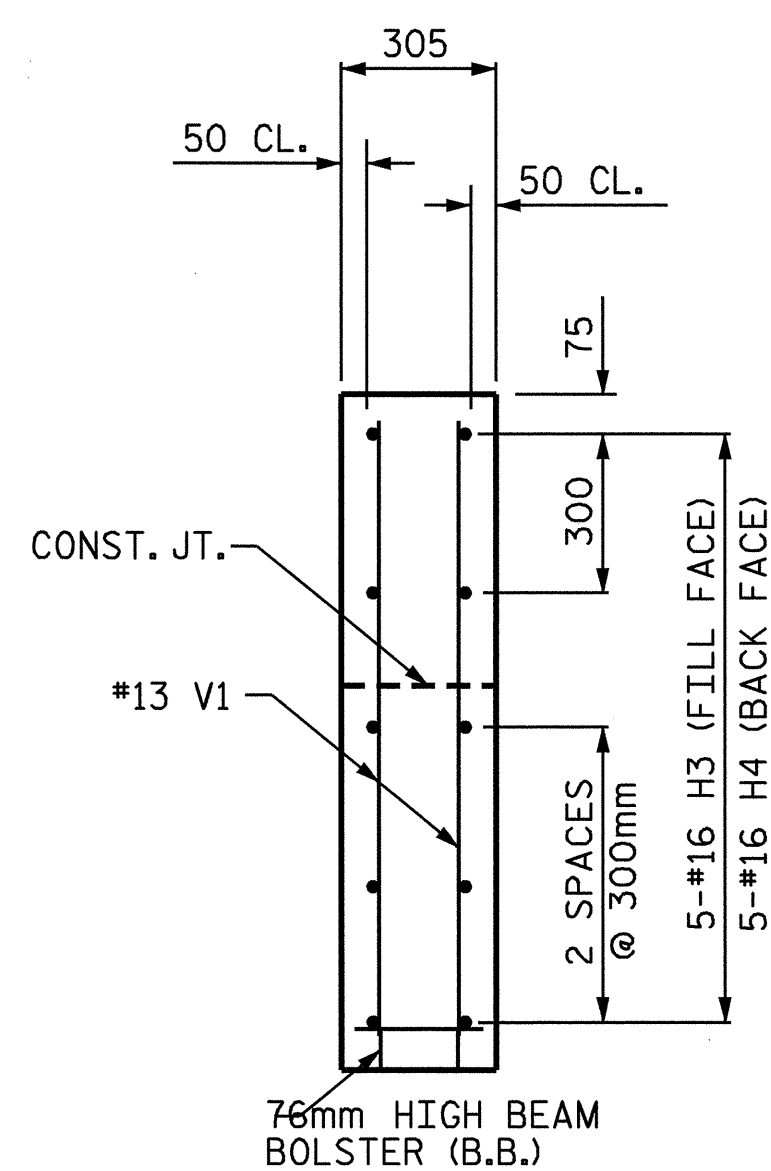
PLAN OF WING - W1



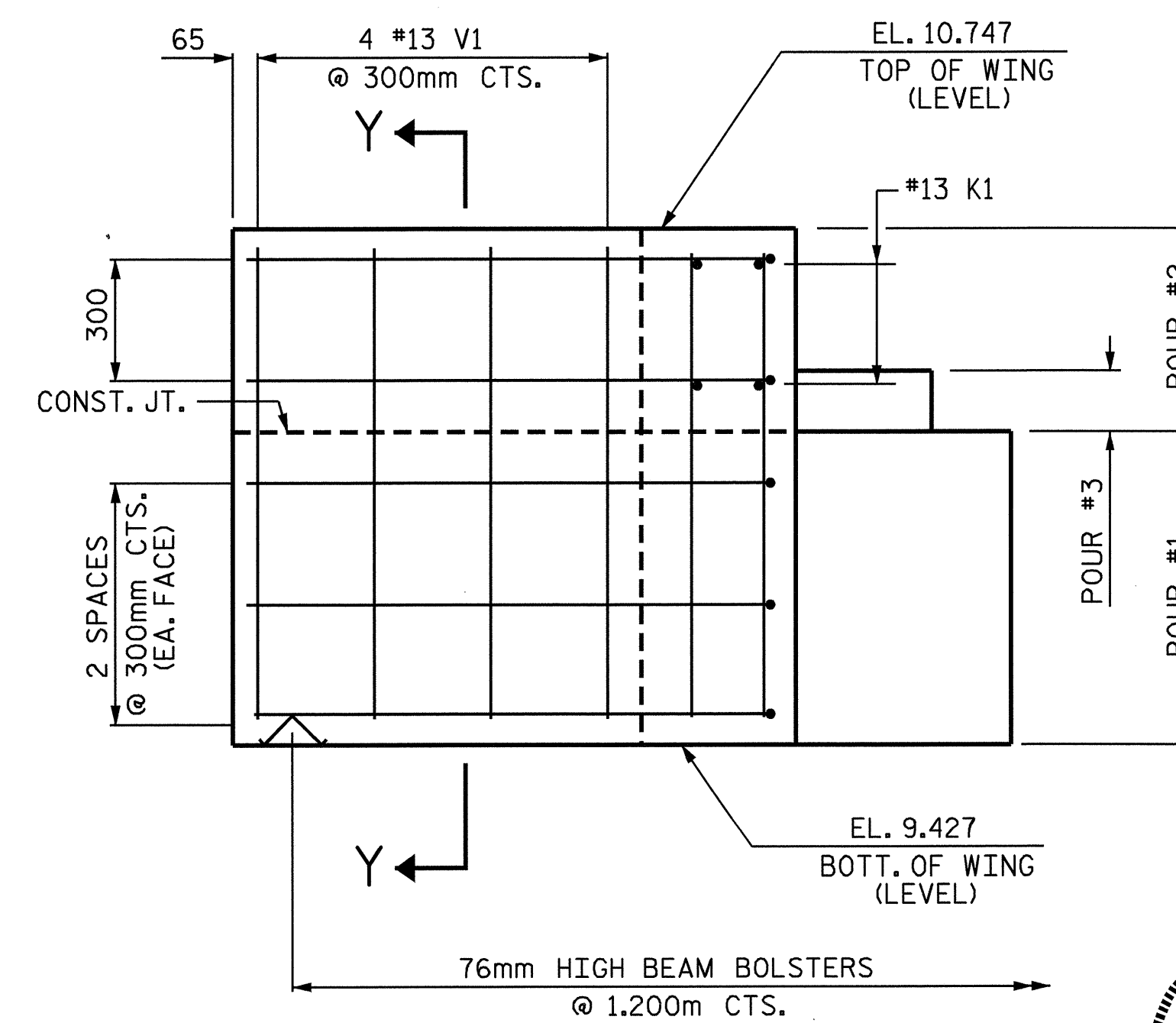
PLAN OF WING - W2



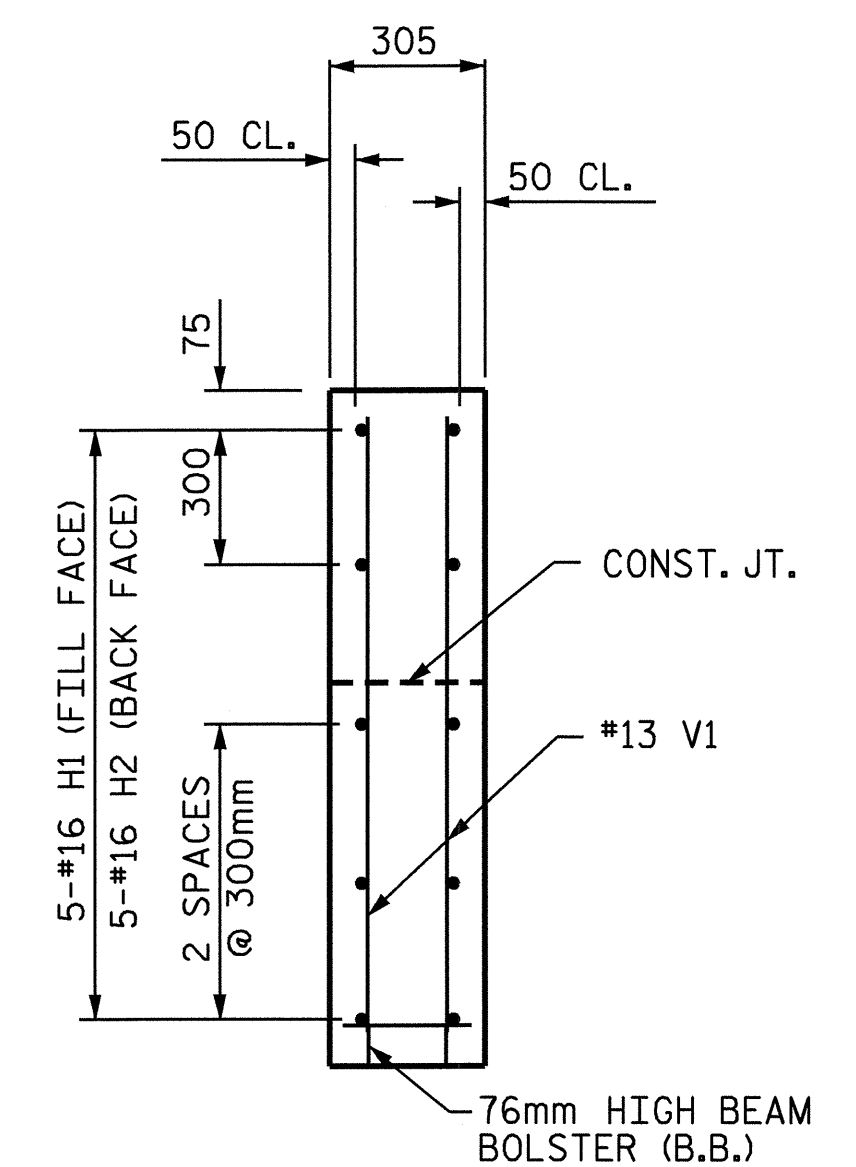
ELEVATION OF WING - W1



SECTION X-X



ELEVATION OF WING - W2



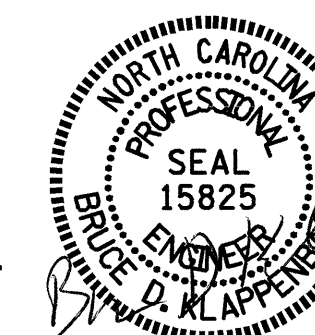
SECTION Y-Y

PROJECT NO. R-2514A  
 ONSLOW COUNTY  
 STATION: 182+87.400 -L- MED.

SHEET 2 OF 3

STATE OF NORTH CAROLINA  
 DEPARTMENT OF TRANSPORTATION  
 RALEIGH

SUBSTRUCTURE  
 END BENT #1  
 (RIGHT LANE)



DRAWN BY: J.B. WILSON DATE: 10/04  
 CHECKED BY: G.M. PATTERSON DATE: 11/04

06-JAN-2004 15:17  
 W:\squad\R2514a\Str1and2\jwilson\Microrstation\R-2514A.sd.E\*1.02.dgn  
 jwilson

REVISIONS						SHEET NO.
NO.	BY:	DATE:	NO.	BY:	DATE:	S-33
1			3			TOTAL SHEETS
2			4			46