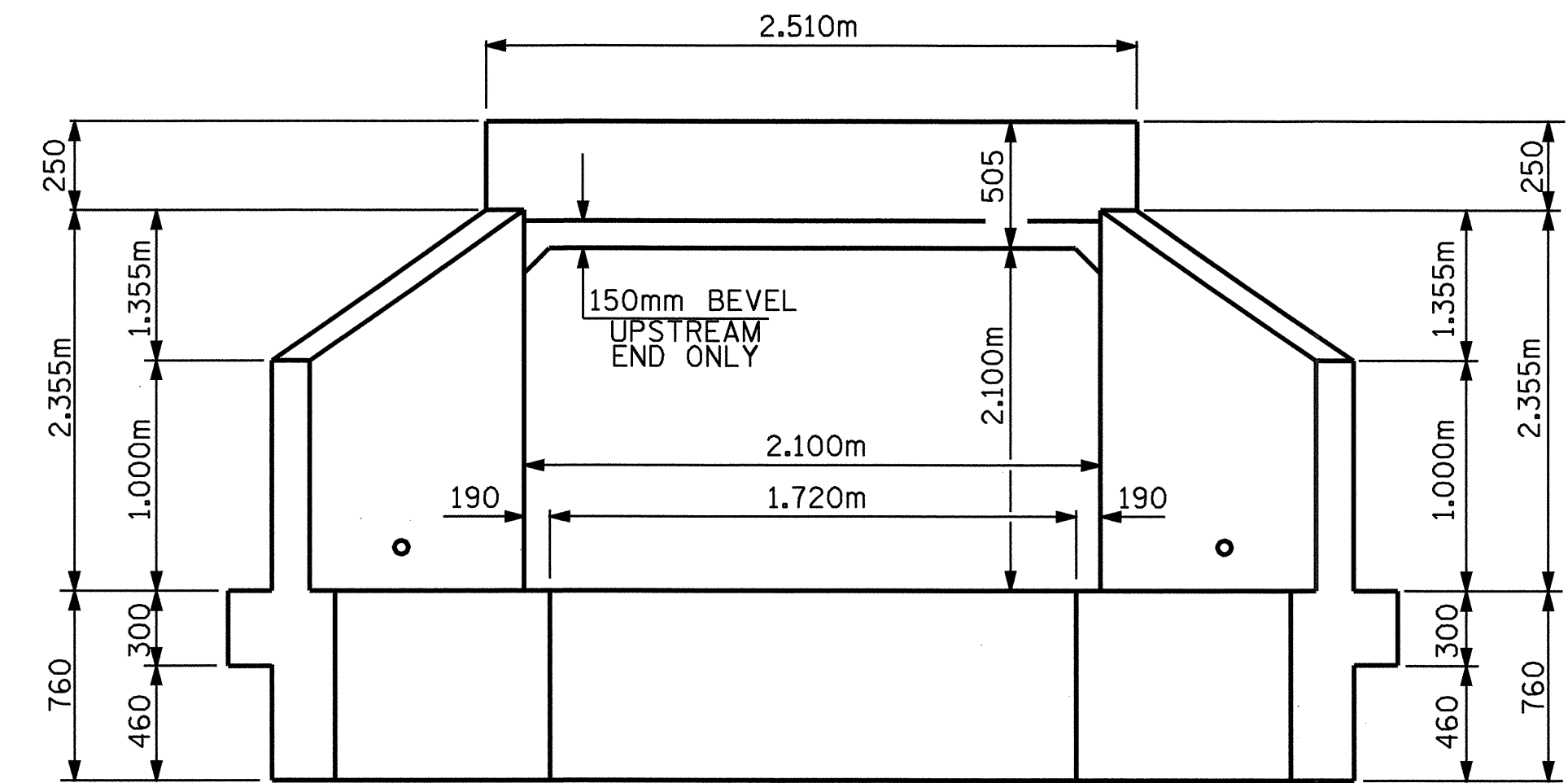
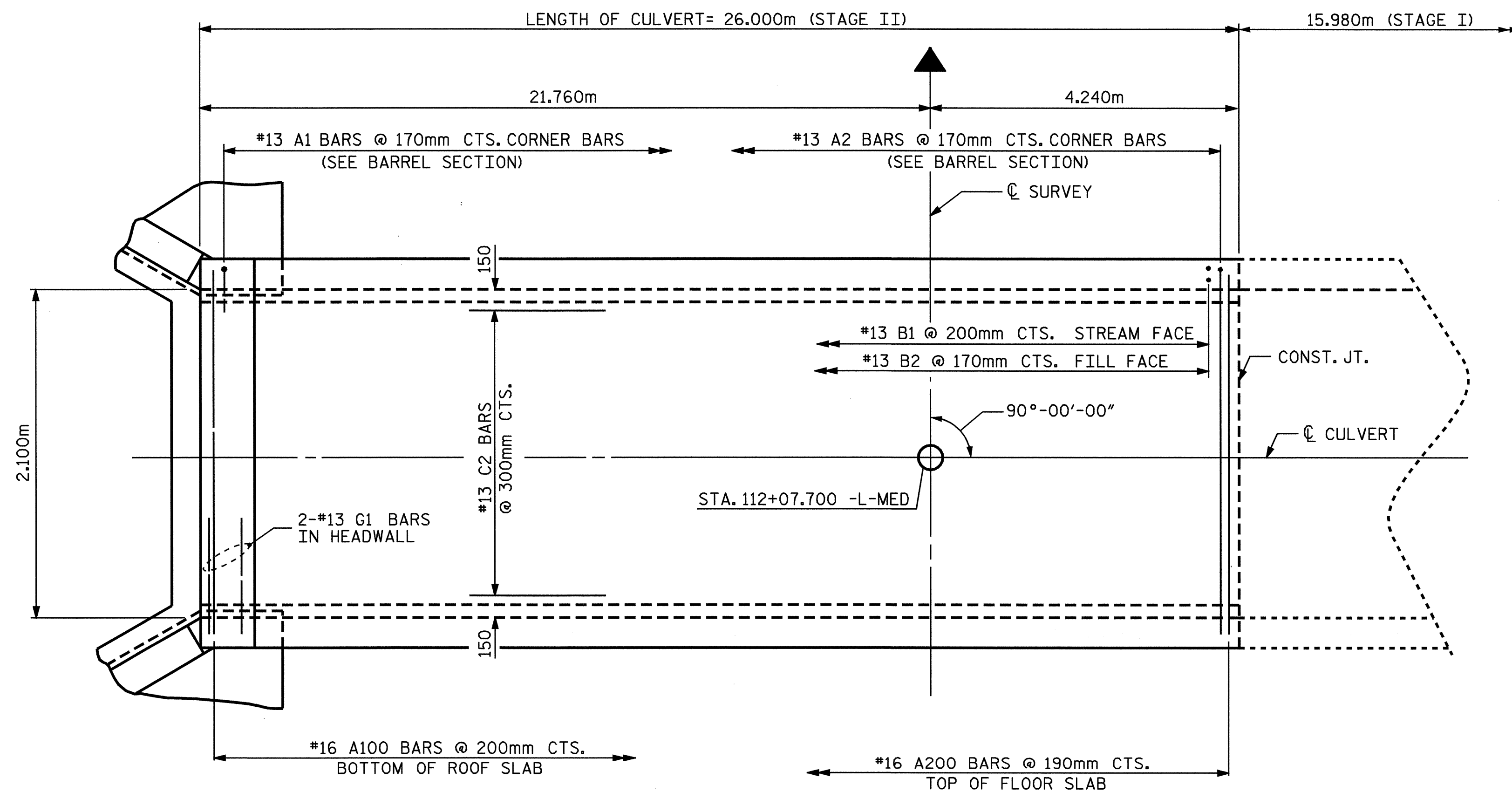


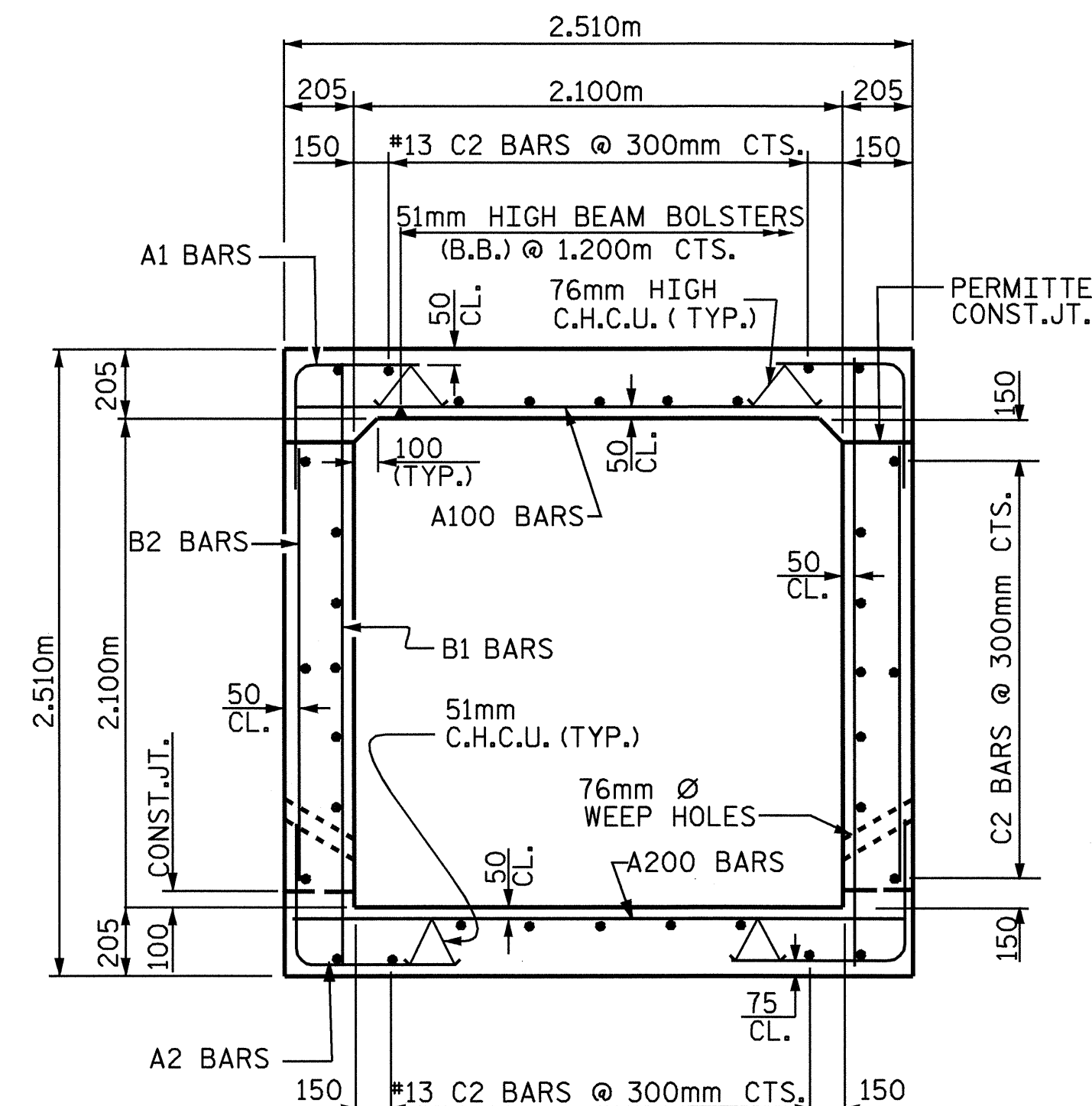
**CULVERT SECTION NORMAL TO ROADWAY  
(OUTLET END STAGE II)**



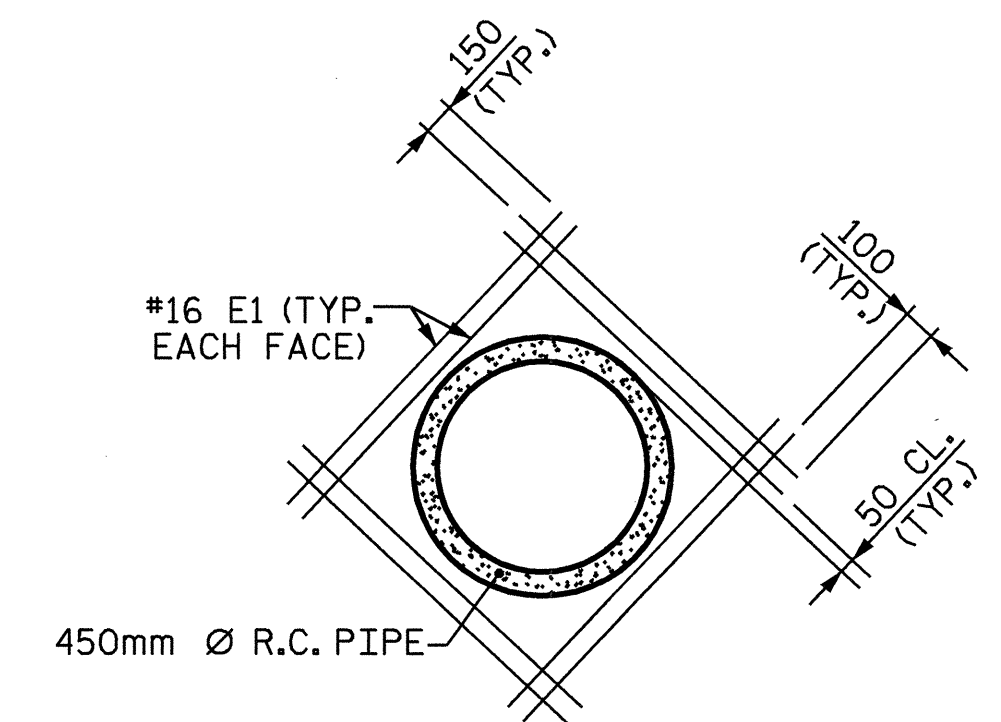
**END ELEVATION NORMAL TO SKEW**



**PLAN OF CULVERT  
(OUTLET END STAGE II)**



**RIGHT ANGLE SECTION OF BARREL  
THERE ARE 34 "C" BARS IN SECTION OF BARREL**

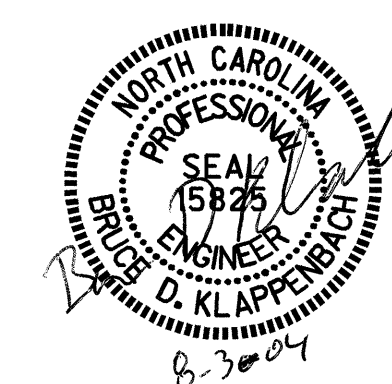


**DETAIL "B"**

PROJECT NO. R-2514A  
ONSLOW COUNTY  
STATION: 112+07.700-L-MED.

SHEET 3 OF 4

STATE OF NORTH CAROLINA  
DEPARTMENT OF TRANSPORTATION  
RALEIGH  
SINGLE 2.100m X 2.100m  
CONCRETE BOX CULVERT  
90°-00'-00" SKEW  
(STAGE II)



ASSEMBLED BY : J.B. WILSON	DATE : 6/03
CHECKED BY : M.G. SHAIKH	DATE : 7/03
DRAWN BY : EEM	6/97
CHECKED BY : ARB	7/97

REVISIONS						TOTAL SHEETS
NO.	BY:	DATE:	NO.	BY:	DATE:	
1			3			C-3
2			4			9