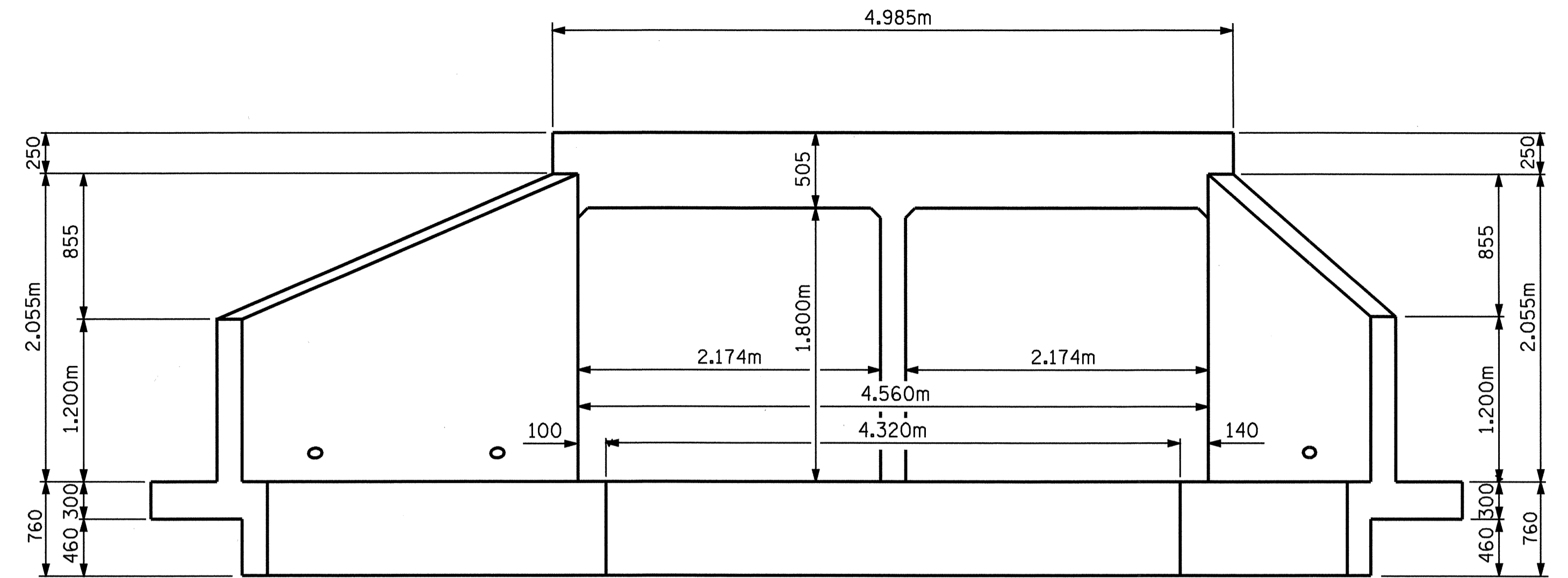
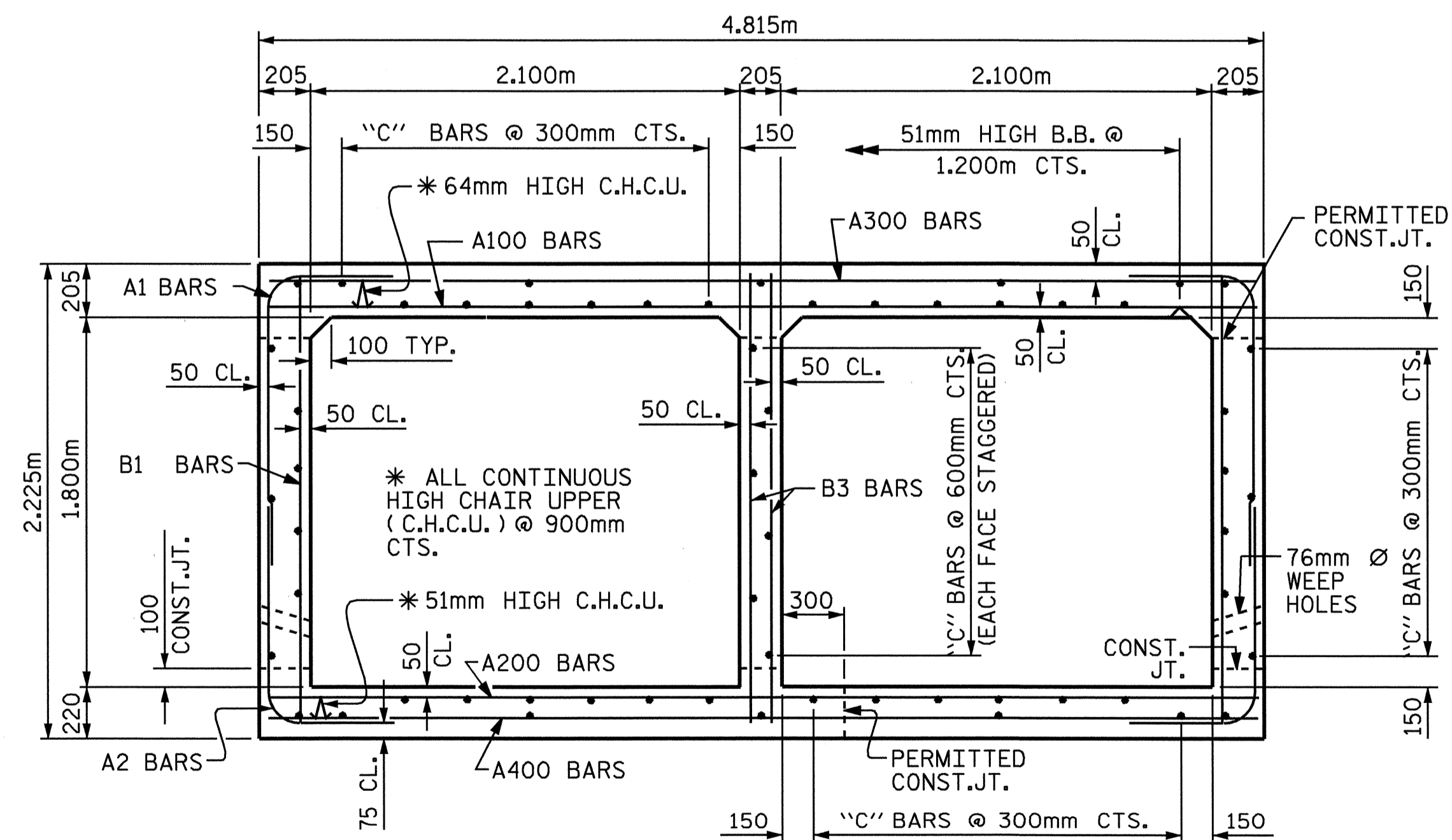


END ELEVATION - NORMAL TO SKEW (INLET END)



END ELEVATION - NORMAL TO SKEW (OUTLET END)



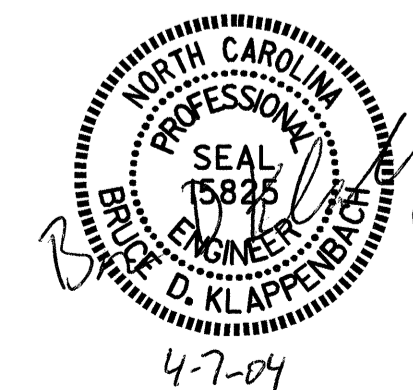
RIGHT ANGLE SECTION OF BARREL
THERE ARE 58 "C" BARS IN SECTION OF BARREL.

PROJECT NO. R-2514A
ONSLow COUNTY
STATION: 161+33.500 -L- MED.

SHEET 2 OF 5

STATE OF NORTH CAROLINA
DEPARTMENT OF TRANSPORTATION
RALEIGH

DOUBLE 2.100m X 1.800m
CONCRETE BOX CULVERT
101° SKEW



DRAWN BY: D. A. GLADDEN DATE: 4-2-03
CHECKED BY: M. G. SHAIKH DATE: 7-03

REVISIONS						SHEET NO.
NO.	BY:	DATE:	NO.	BY:	DATE:	C-6
1			3			TOTAL SHEETS
2			4			9