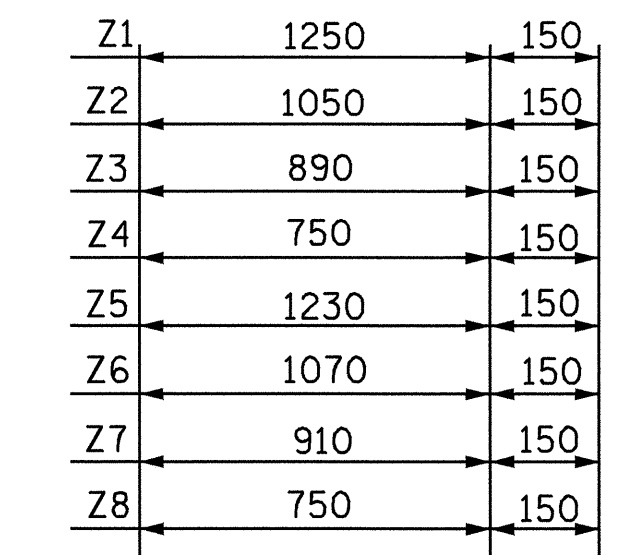
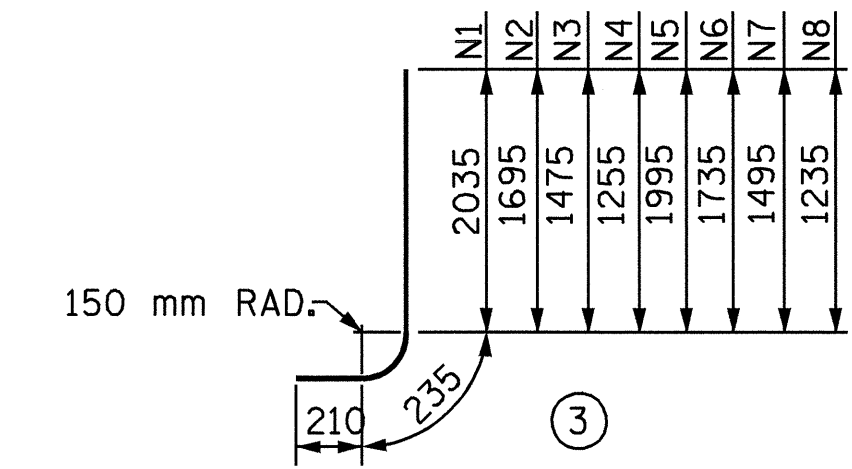
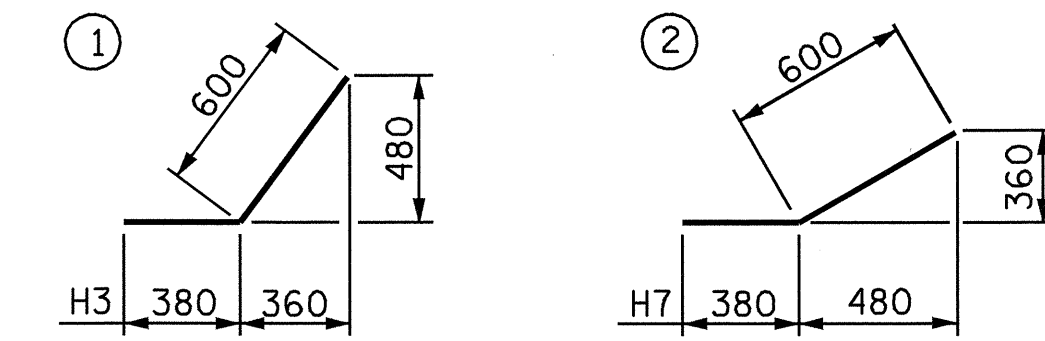


BAR TYPES

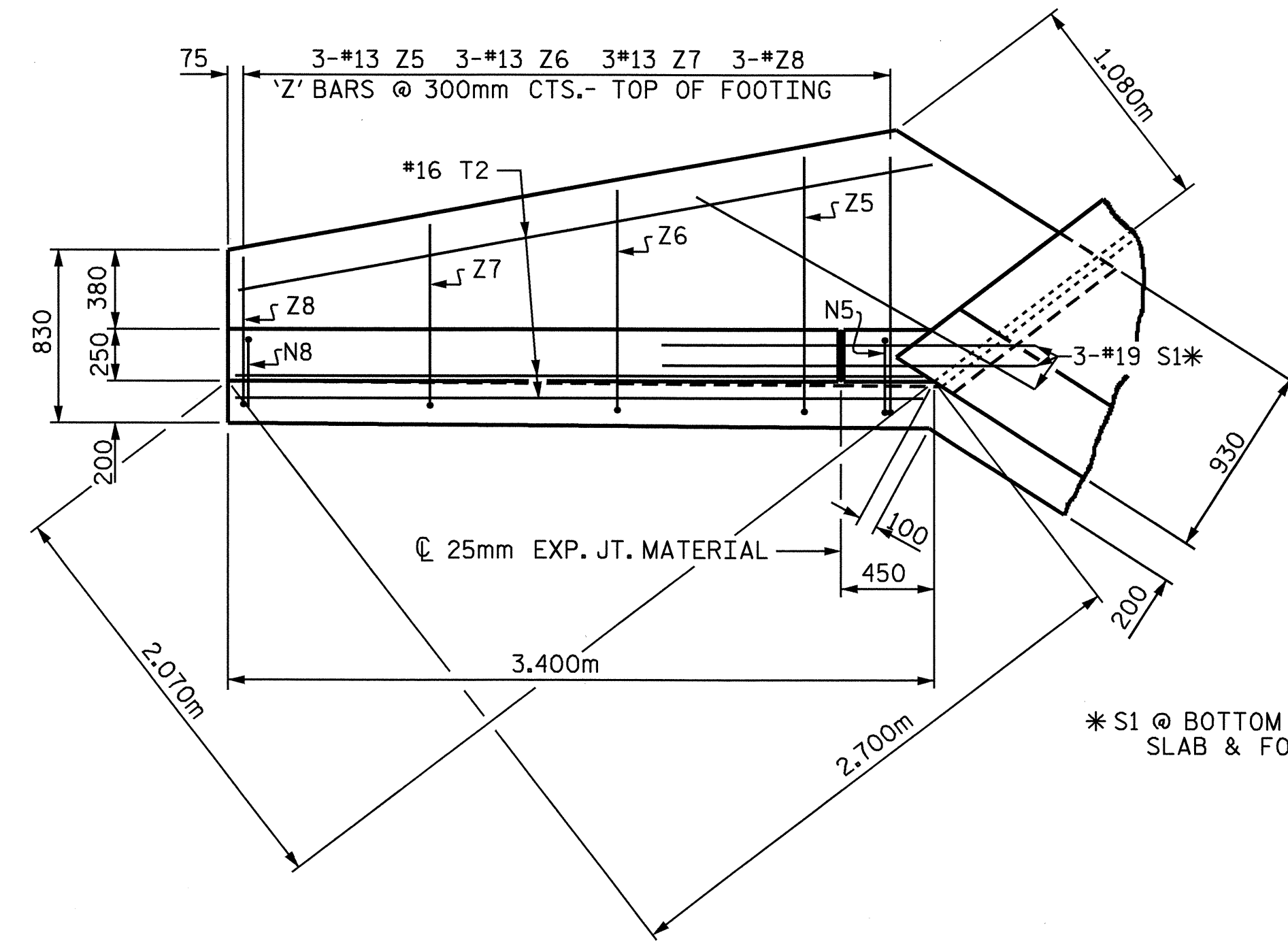
BILL OF MATERIAL

ALL BAR DIMENSIONS ARE OUT TO OUT.



| BAR NO. | SIZE | TYPE | LENGTH | WEIGHT | |
|---------|------|------|--------|--------|----|
| H1 | 12 | 13 | STR | 1940 | 23 |
| H2 | 4 | 13 | STR | 1060 | 4 |
| H3 | 20 | 13 | | 980 | 19 |
| H4 | 4 | 13 | STR | 2060 | 8 |
| H5 | 12 | 13 | STR | 2840 | 34 |
| H6 | 4 | 13 | STR | 1680 | 7 |
| H7 | 20 | 13 | | 980 | 19 |
| H8 | 4 | 13 | STR | 2940 | 12 |
| N1 | 4 | 13 | | 2480 | 10 |
| N2 | 6 | 13 | | 2140 | 13 |
| N3 | 4 | 13 | | 1920 | 8 |
| N4 | 4 | 13 | | 1700 | 7 |
| N5 | 6 | 13 | | 2440 | 15 |
| N6 | 6 | 13 | | 2180 | 13 |
| N7 | 6 | 13 | | 1940 | 12 |
| N8 | 6 | 13 | | 1680 | 10 |
| S1 | 12 | 19 | STR | 1800 | 48 |
| T1 | 6 | 16 | STR | 2500 | 23 |
| T2 | 6 | 16 | STR | 3400 | 32 |
| V1 | 4 | 13 | STR | 1860 | 7 |
| V2 | 6 | 13 | STR | 1520 | 9 |
| V3 | 4 | 13 | STR | 1300 | 5 |
| V4 | 4 | 13 | STR | 1080 | 4 |
| V5 | 6 | 13 | STR | 1820 | 11 |
| V6 | 6 | 13 | STR | 1560 | 9 |
| V7 | 6 | 13 | STR | 1320 | 8 |
| V8 | 6 | 13 | STR | 1060 | 6 |
| Z1 | 4 | 13 | | 1400 | 6 |
| Z2 | 6 | 13 | | 1200 | 7 |
| Z3 | 4 | 13 | | 1040 | 4 |
| Z4 | 4 | 13 | | 900 | 4 |
| Z5 | 6 | 13 | | 1380 | 8 |
| Z6 | 6 | 13 | | 1220 | 7 |
| Z7 | 6 | 13 | | 1060 | 6 |
| Z8 | 6 | 13 | | 900 | 5 |

REINFORCING STEEL FOR 4 WINGS 423 kg
 CLASS A CONCRETE
 4 WINGS 10.2 m³
 2 HEADWALLS 1.1 m³
 2 END CURTAIN WALLS 1.3 m³
 TOTAL 12.6 m³



PLAN W1

