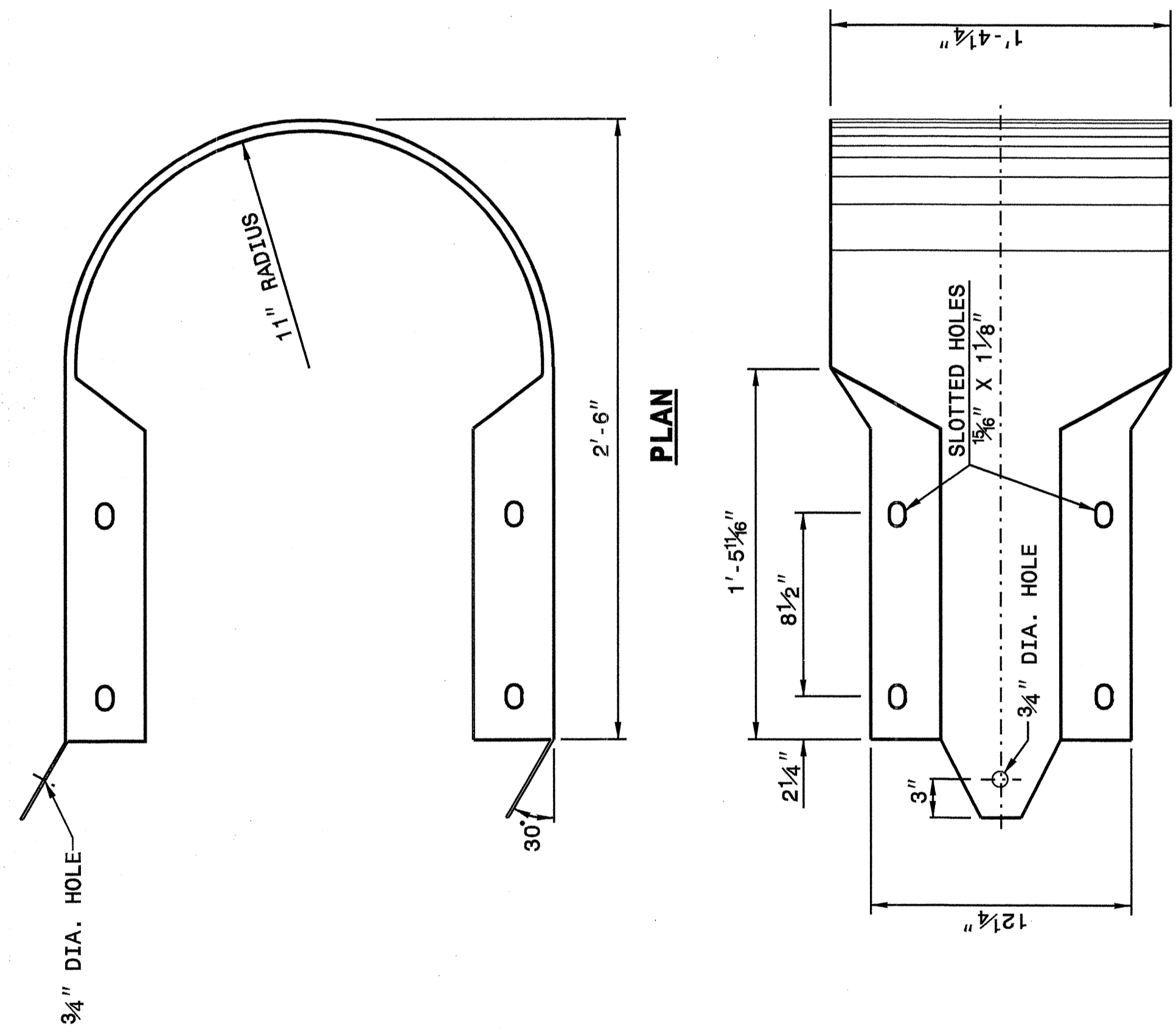


STATE OF  
NORTH CAROLINA  
DEPT. OF TRANSPORTATION  
RALEIGH, N.C.

ENGLISH DETAIL DRAWING FOR  
GUARDRAIL INSTALLATION

SHEET 7 OF 7  
862D02

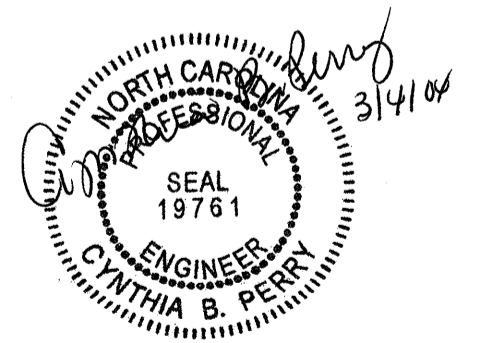


ELEVATION  
BUFFERED END SECTION

STATE OF  
NORTH CAROLINA  
DEPT. OF TRANSPORTATION  
DIVISION OF HIGHWAYS  
RALEIGH, N.C.

ENGLISH DETAIL DRAWING FOR  
GUARDRAIL INSTALLATION

SHEET 7 OF 7  
862D02



DESIGN SERVICES UNIT  
STANDARDS AND SPECIAL DESIGN  
Office 919-250-4128 FAX 919-250-4119

SEE PLATE FOR TITLE

ORIGINAL BY: 2002 STD.862.02 DATE:  
MODIFIED BY: E. E. WARD DATE: 02-09-03  
CHECKED BY: *[Signature]* DATE: 5-03  
FILE SPEC.: /usr/std/02todeta/english/86202/862d02.dgn