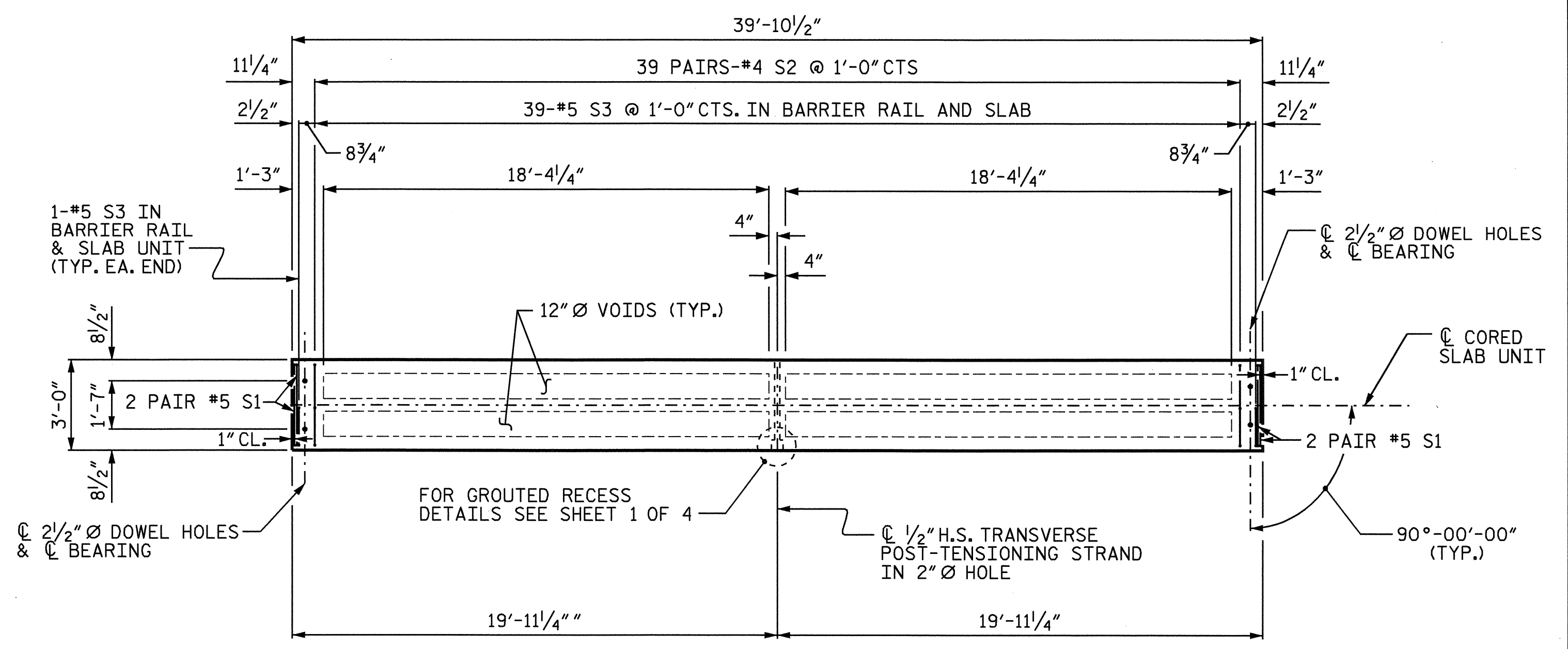
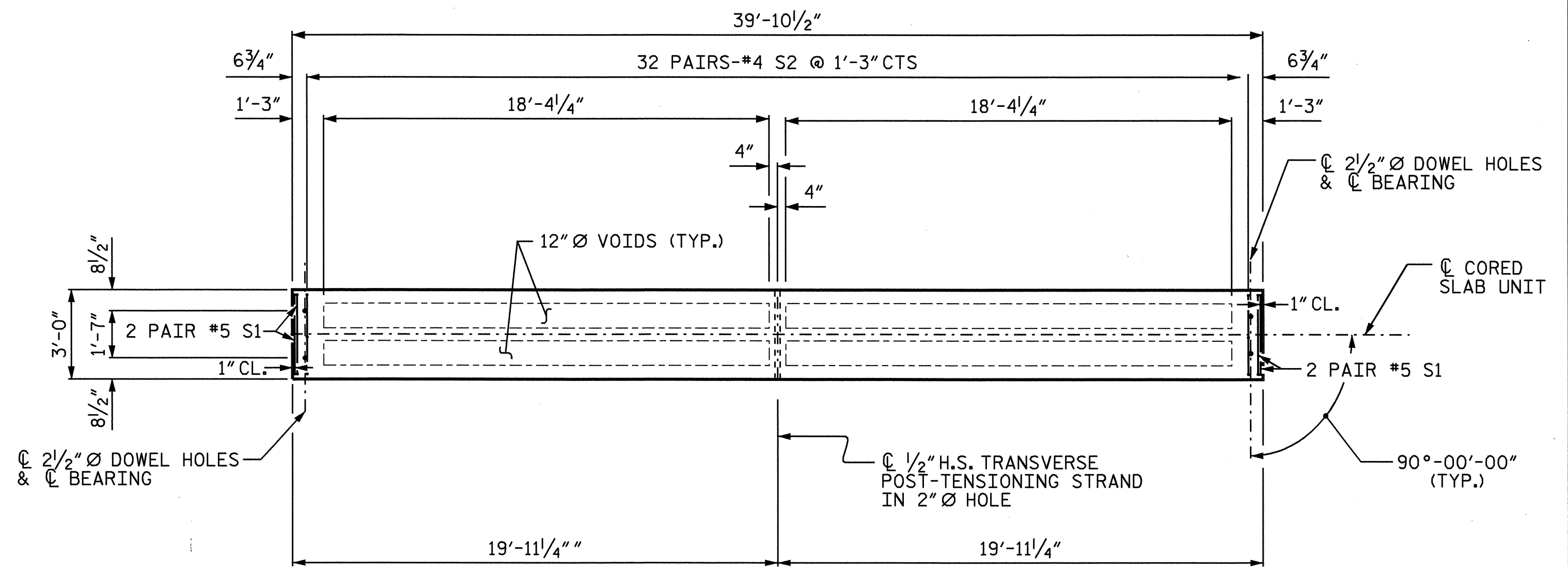


PLAN OF SPAN "C"



PLAN OF EXTERIOR CORED SLAB UNIT

(TYP. SPAN "A", "B", AND "C")



PLAN OF INTERIOR CORED SLAB UNIT

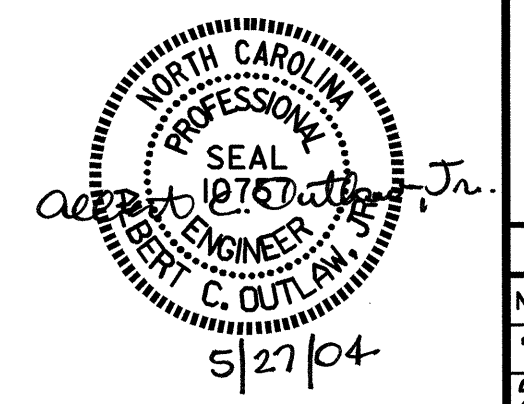
(TYP. SPAN "A", "B", AND "C")

PROJECT NO. B-3470
HAYWOOD COUNTY
 STATION: 15+18.00 -L-

SHEET 3 OF 4

STATE OF NORTH CAROLINA
 DEPARTMENT OF TRANSPORTATION
 RALEIGH

PLAN OF SPAN "C"



DRAWN BY: P.C. BREWER DATE: 1/7/03
 CHECKED BY: S.B. WILLIAMS DATE: 2/17/03

| REVISIONS | | | | | | SHEET NO. S-6 |
|-----------|-----|-------|-----|-----|-------|--------------------|
| NO. | BY: | DATE: | NO. | BY: | DATE: | |
| 1 | | | 3 | | | TOTAL SHEETS 22 |
| 2 | | | 4 | | | |