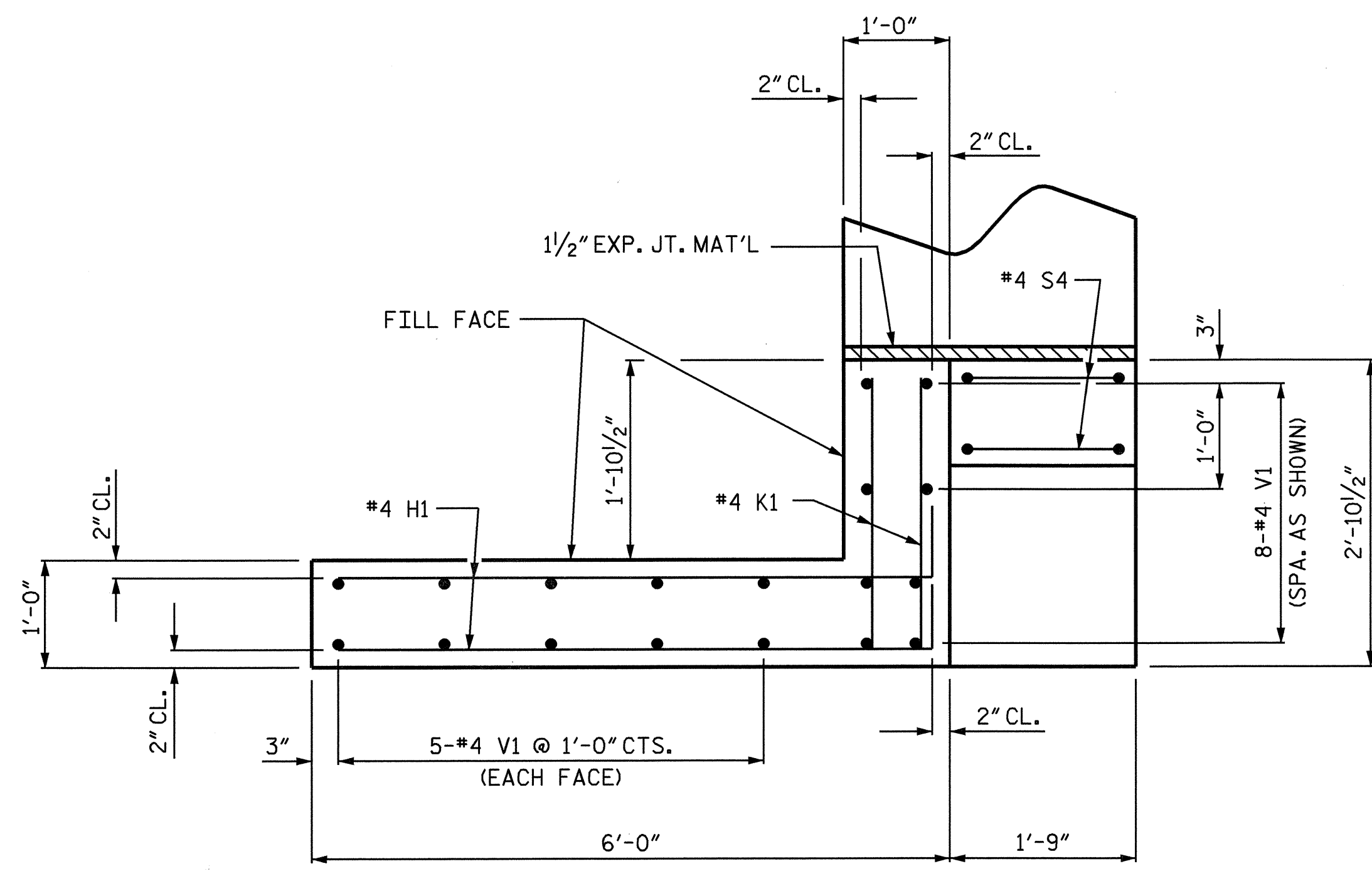
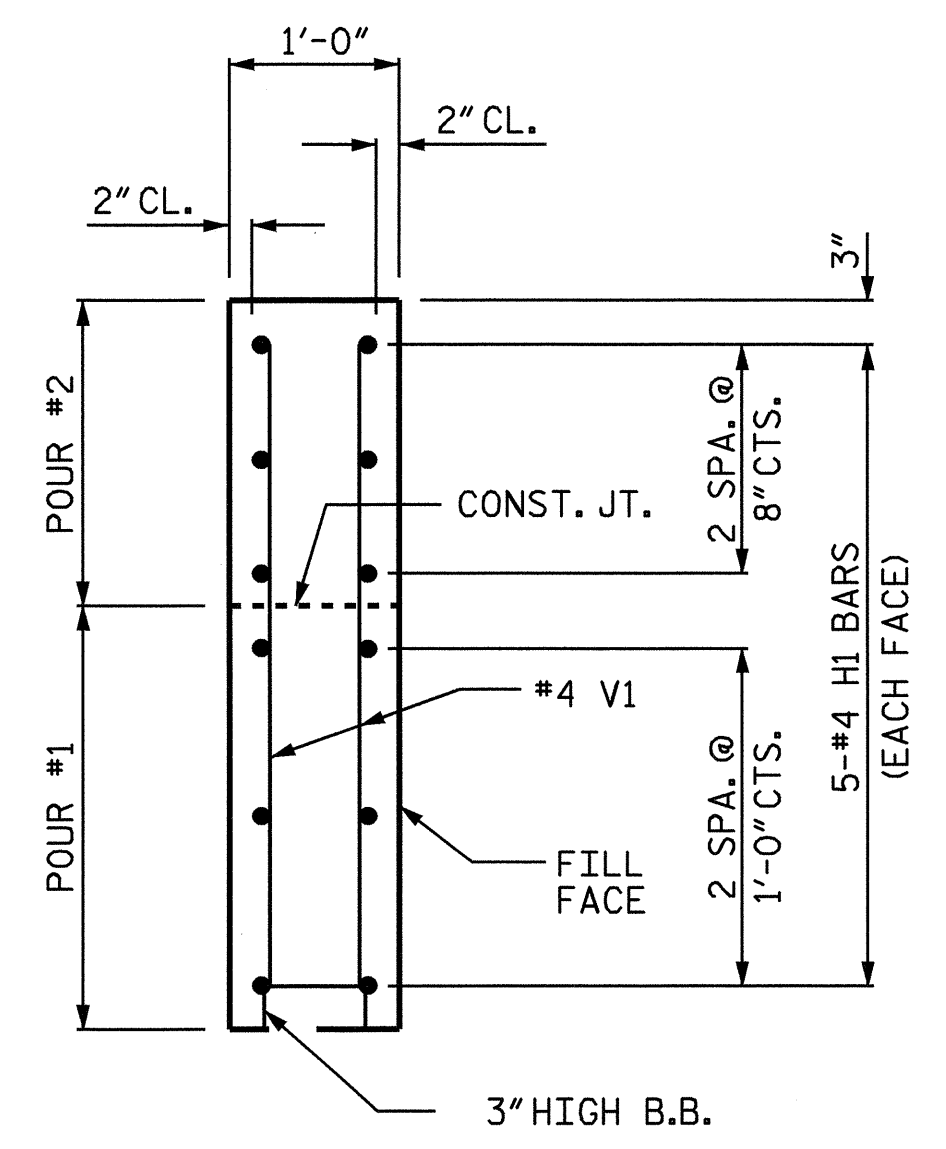


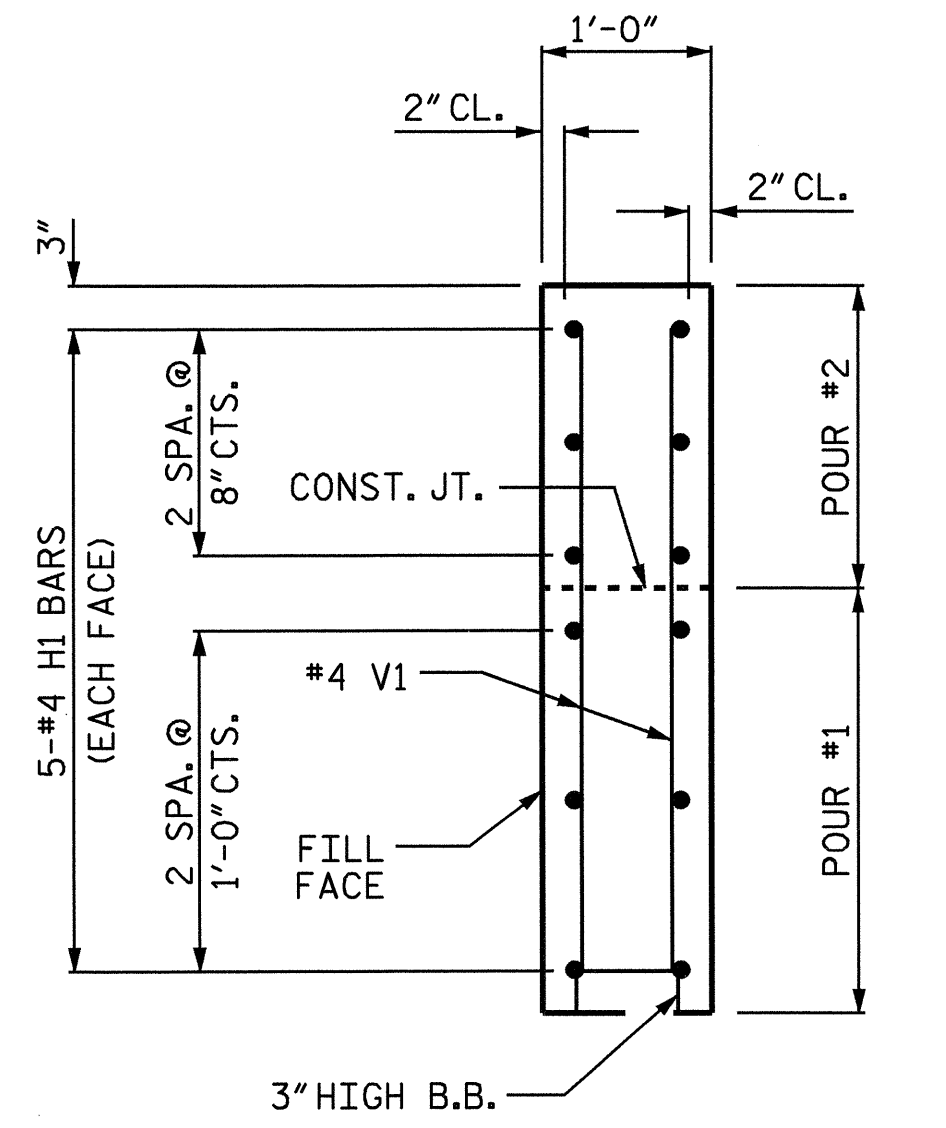
PLAN OF WING (W1)



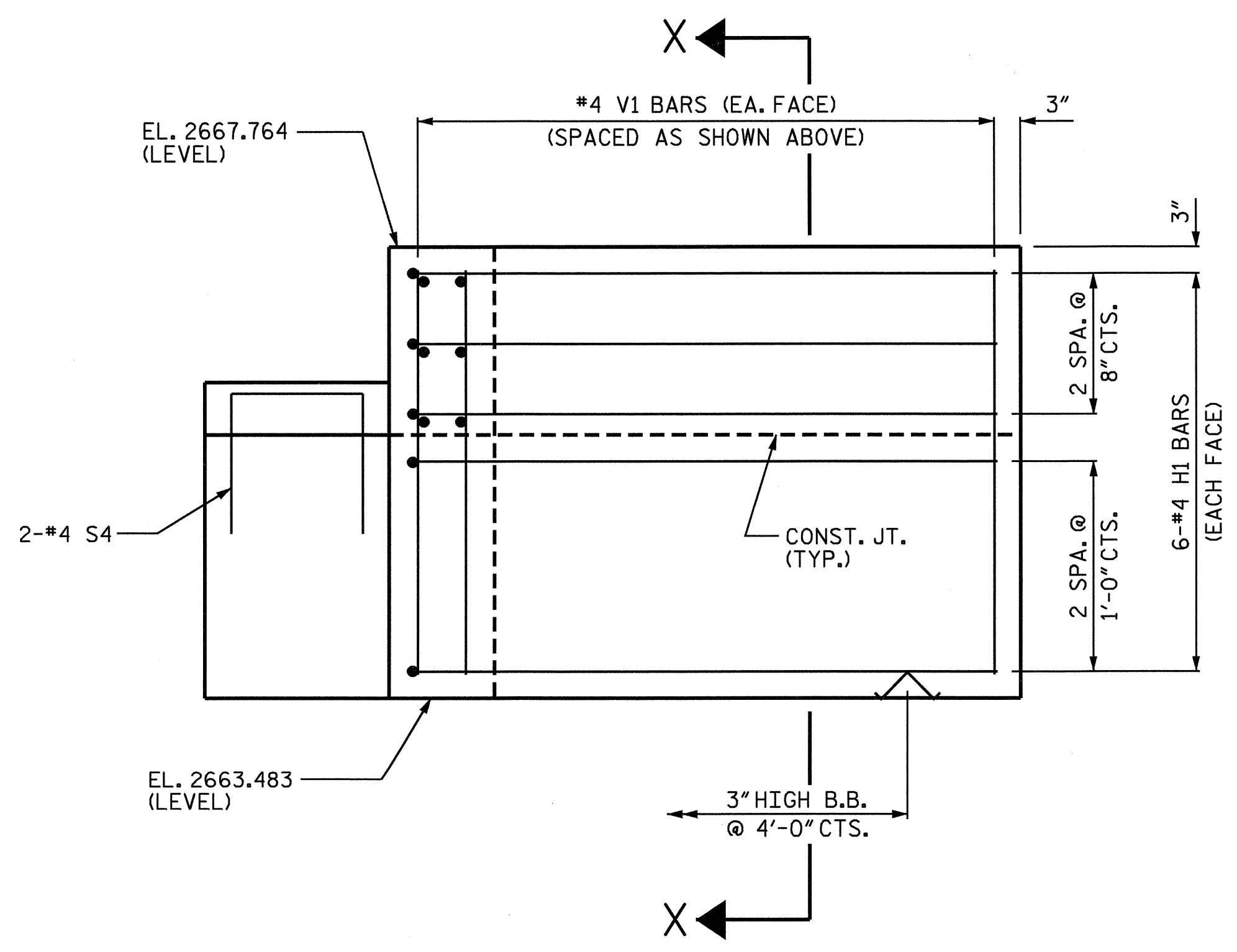
PLAN OF WING (W2)



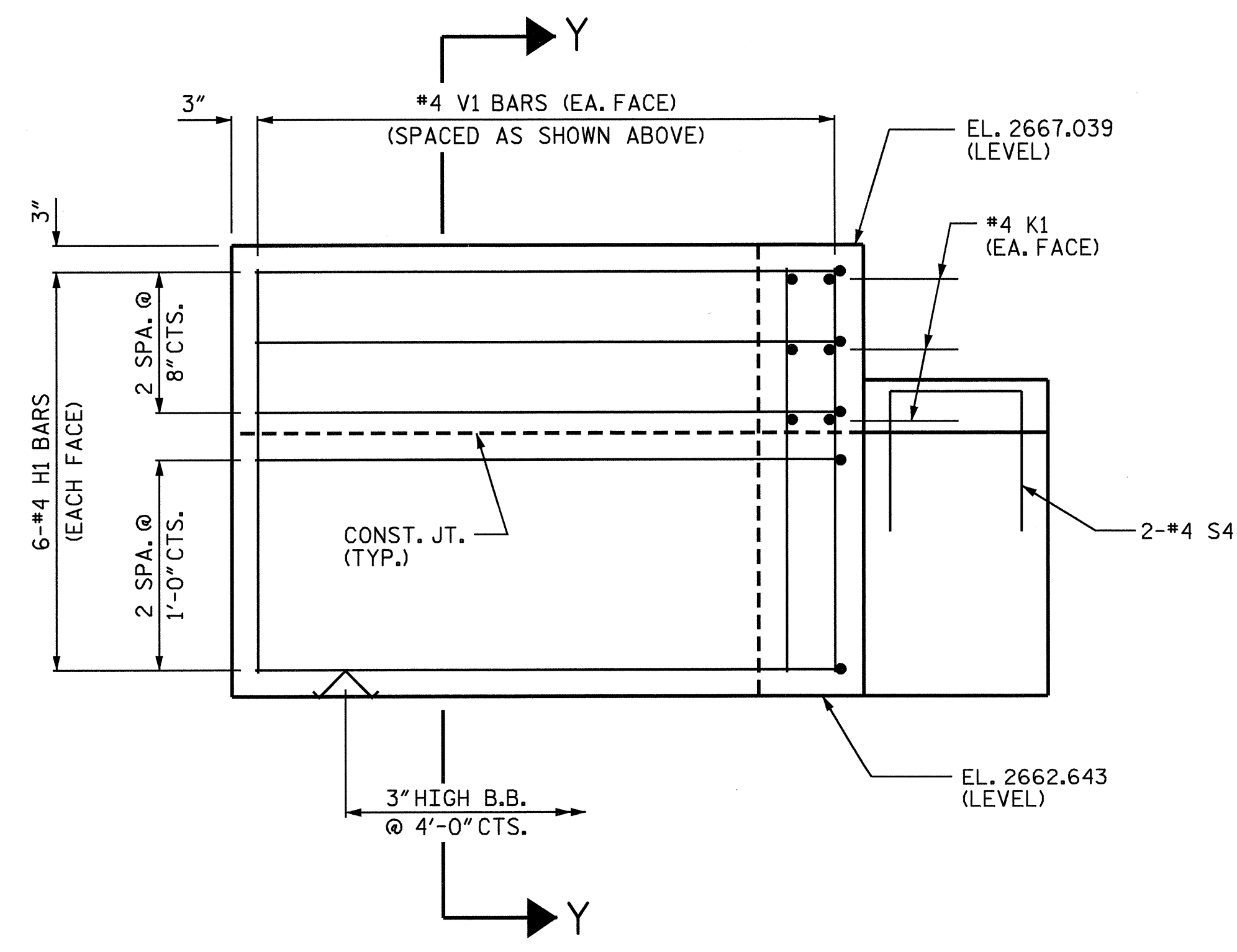
SECTION X-X



SECTION Y-Y



ELEVATION OF WING (W1)



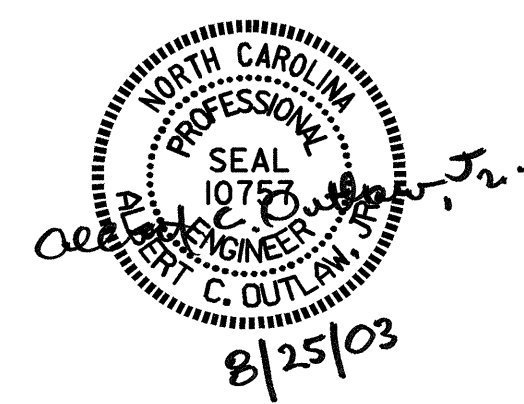
ELEVATION OF WING (W2)

PROJECT NO. B-3470
HAYWOOD COUNTY
 STATION: 15+18.00 -L-

SHEET 2 OF 3

STATE OF NORTH CAROLINA
 DEPARTMENT OF TRANSPORTATION
 RALEIGH

SUBSTRUCTURE
 END BENT NO. 1



DRAWN BY: P.C. BREWER DATE: 6/30/03
 CHECKED BY: S.B. WILLIAMS DATE: 7/14/03

REVISIONS						SHEET NO.
NO.	BY:	DATE:	NO.	BY:	DATE:	S-9
1			3			TOTAL SHEETS
2			4			22