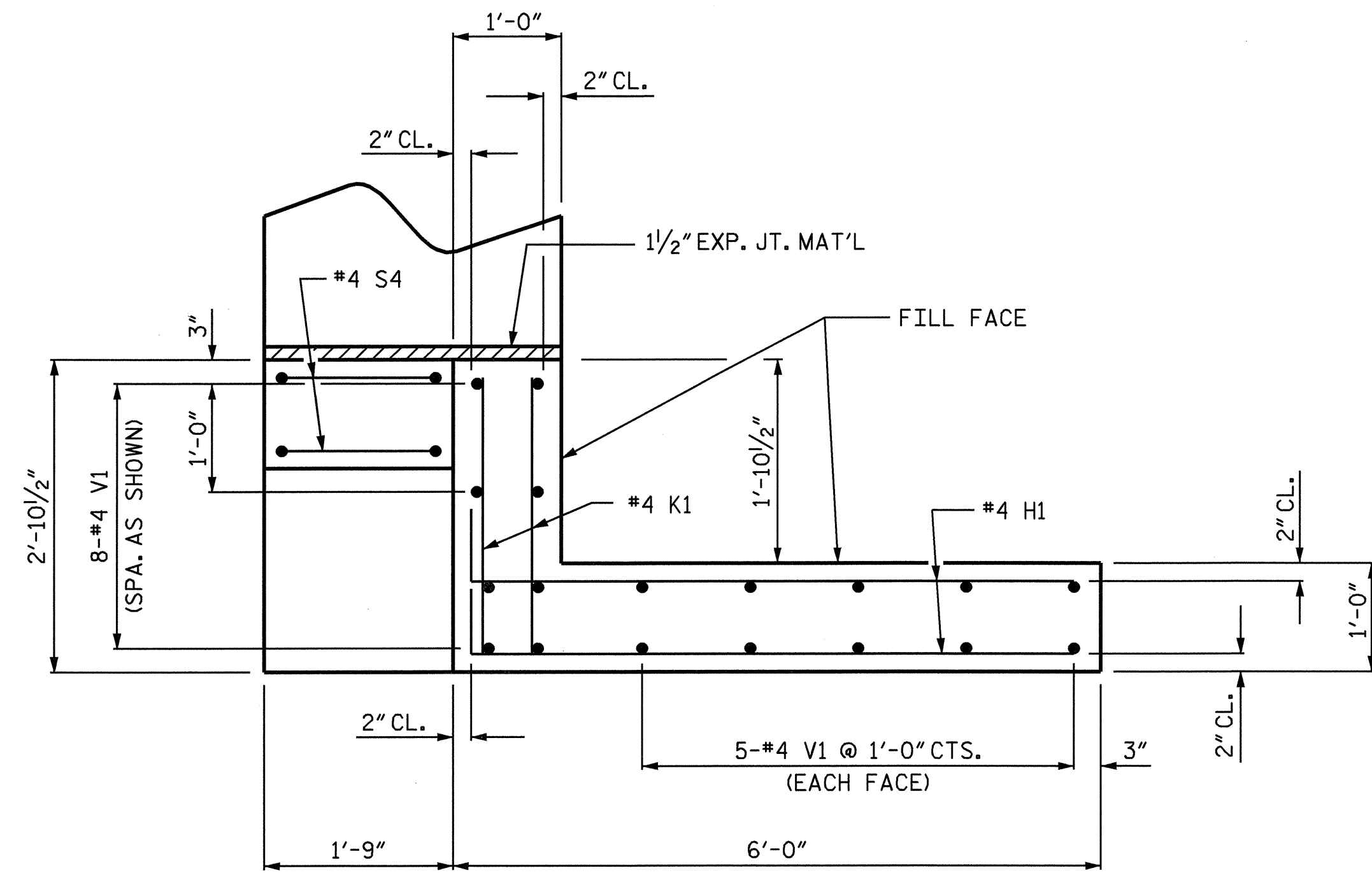
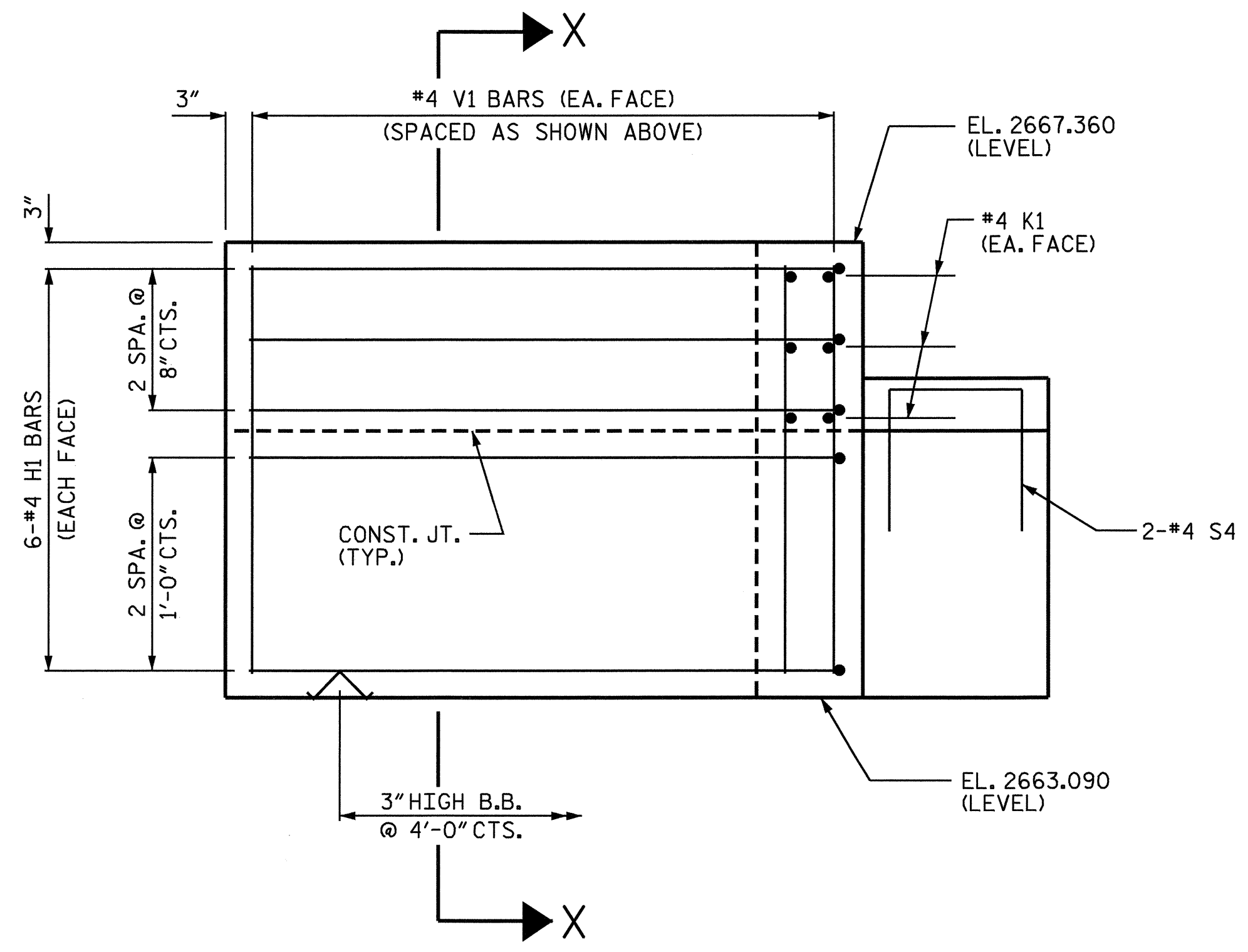


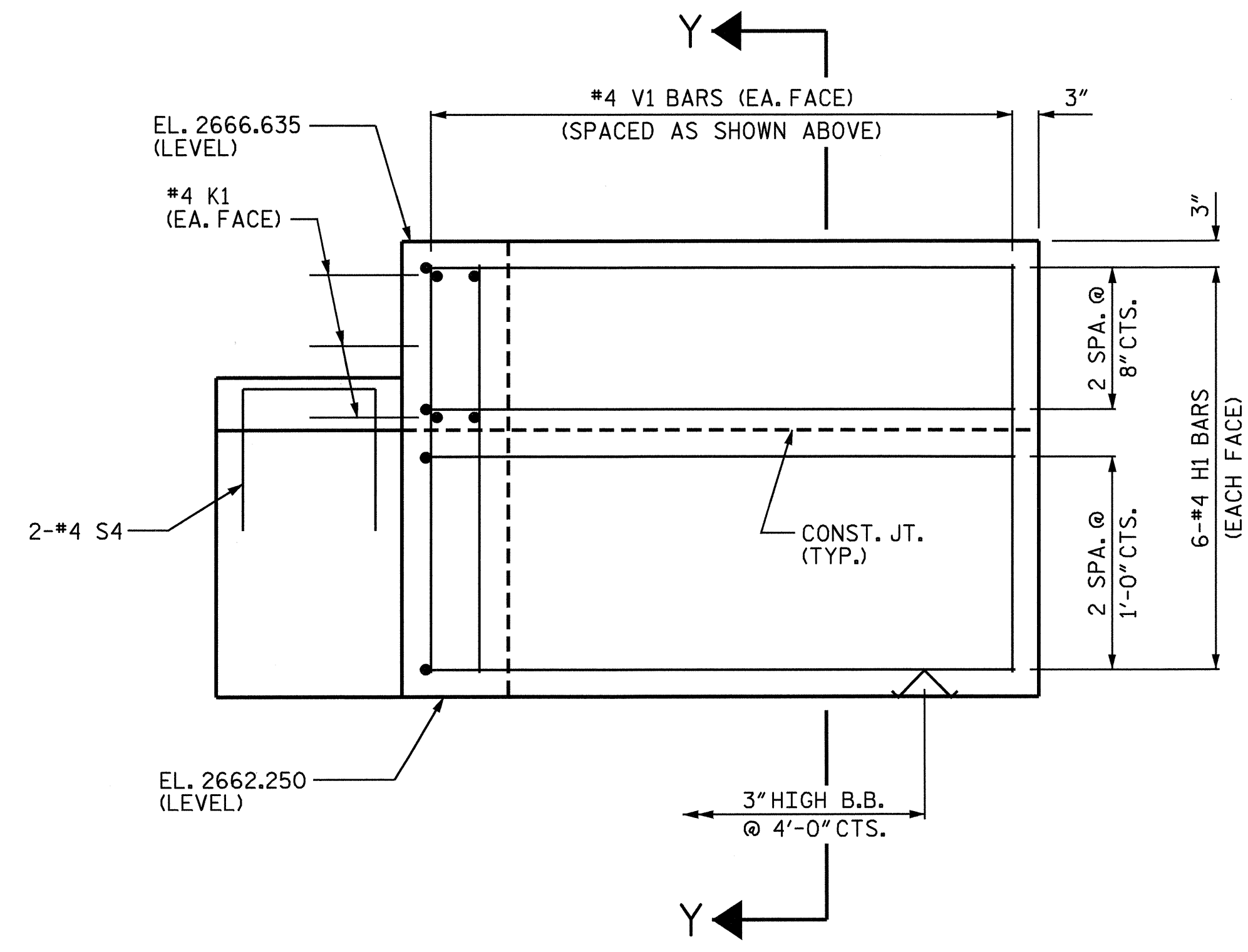
PLAN OF WING (W1)



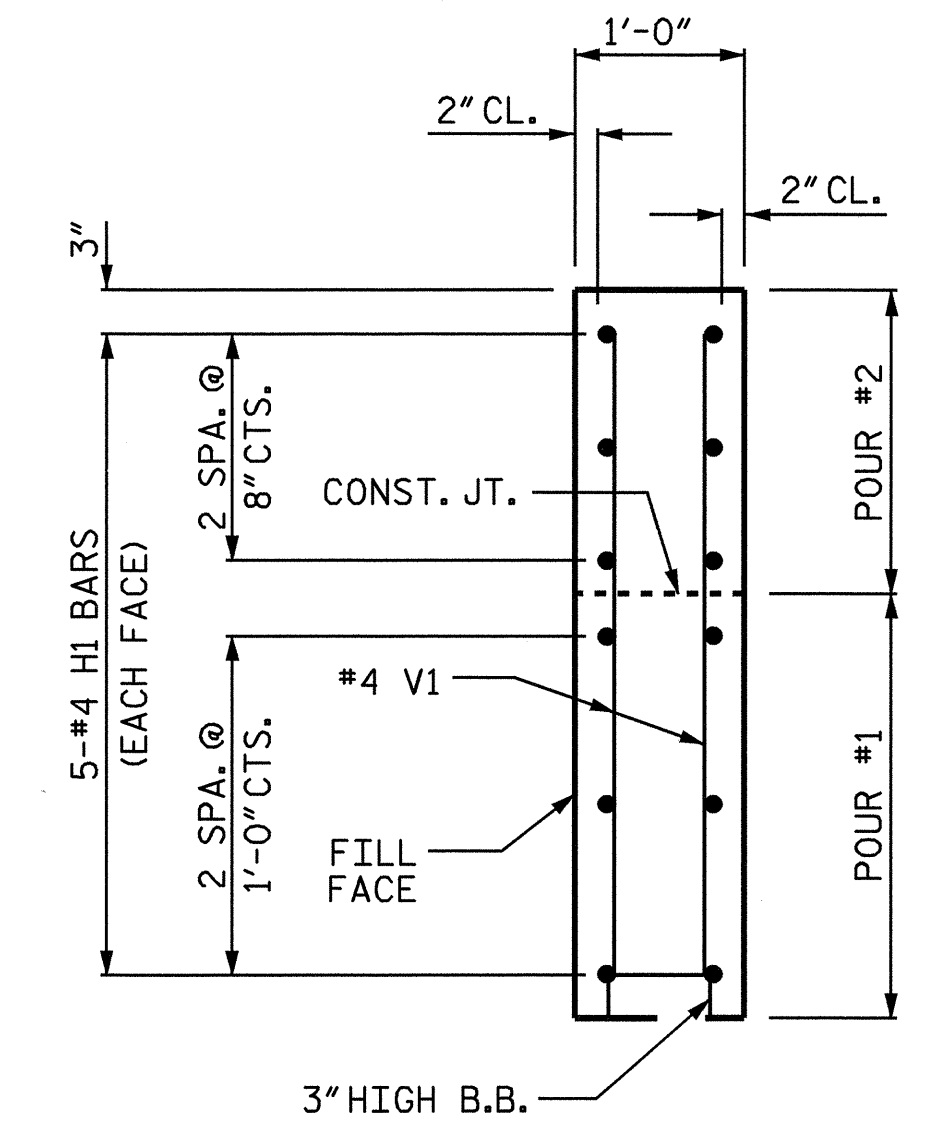
PLAN OF WING (W2)



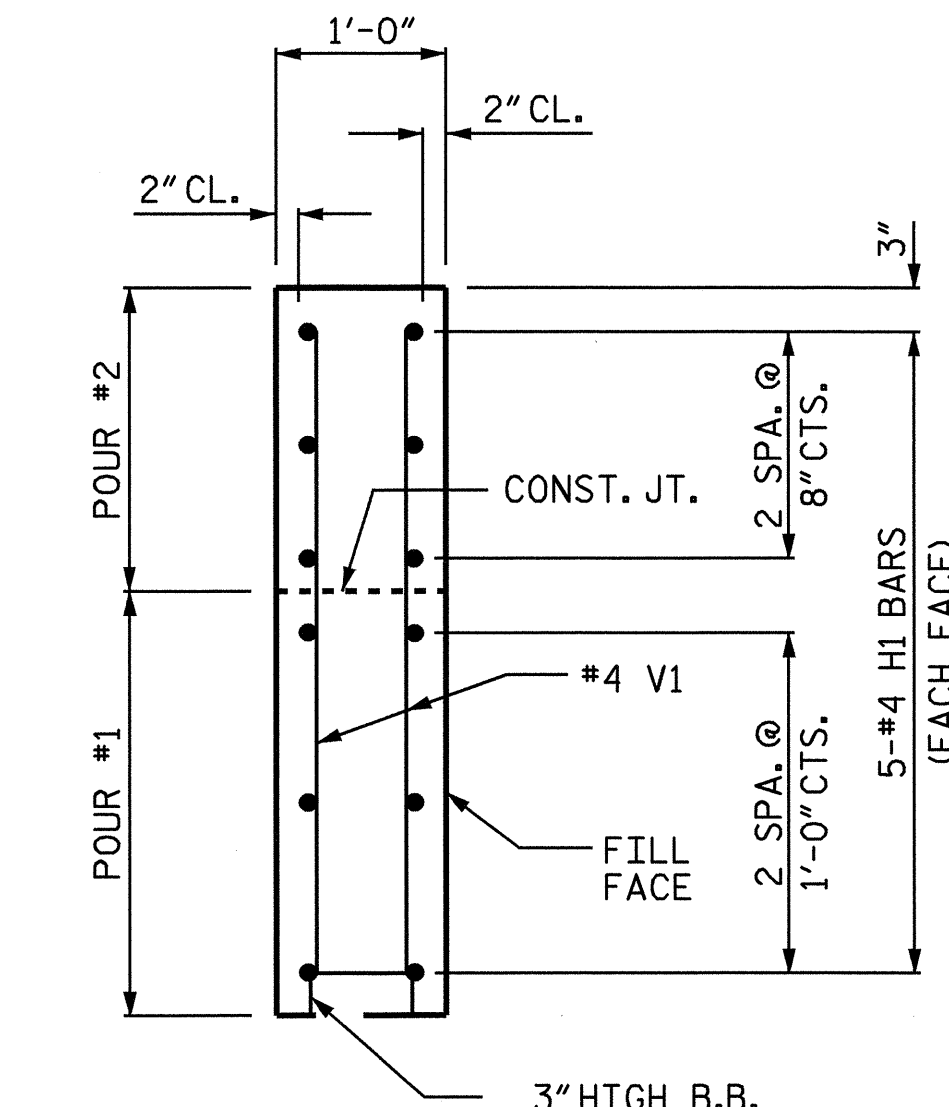
ELEVATION OF WING (W1)



ELEVATION OF WING (W2)



SECTION X-X



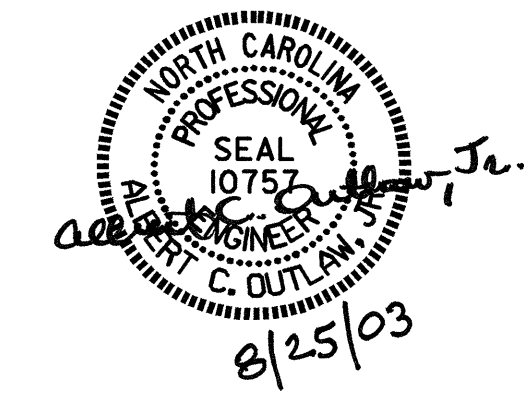
SECTION Y-Y

PROJECT NO. B-3470  
 HAYWOOD COUNTY  
 STATION: 15=18.00 -L-

SHEET 2 OF 3

STATE OF NORTH CAROLINA  
 DEPARTMENT OF TRANSPORTATION  
 RALEIGH

SUBSTRUCTURE  
 END BENT NO. 2



DRAWN BY: P.C. BREWER DATE: 6/30/03  
 CHECKED BY: S.B. WILLIAMS DATE: 7/14/03

REVISIONS						SHEET NO. S-17
NO.	BY:	DATE:	NO.	BY:	DATE:	
1			3			TOTAL SHEETS 22
2			4			