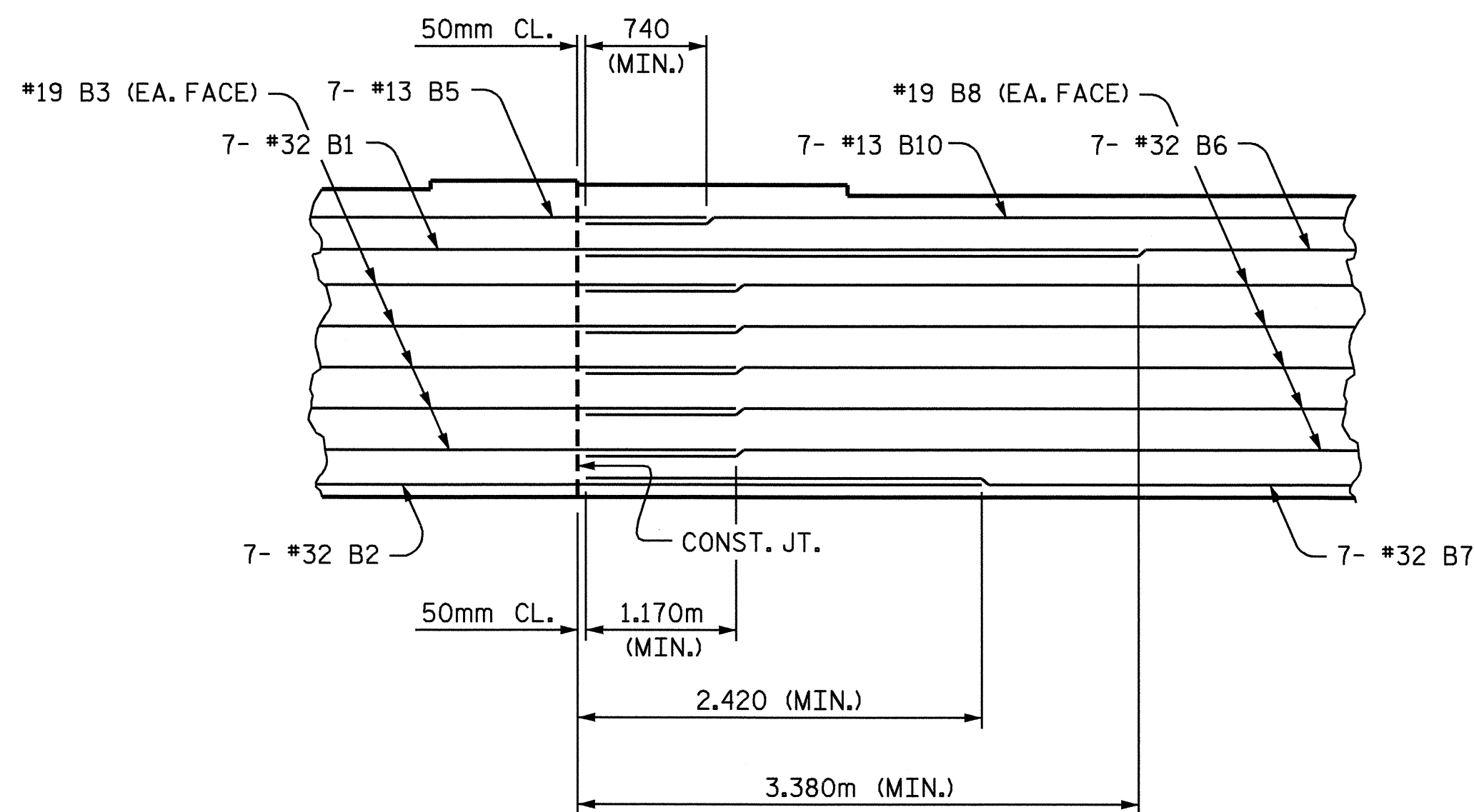


VIEW "X-X"

VIEW "Y-Y"



SPLICE DETAIL

NOTES

STIRRUPS IN CAP MAY BE SHIFTED AS NECESSARY TO CLEAR ANCHOR BOLTS.
 HOOKS ON "V" BARS MAY BE TURNED AS NECESSARY FOR PLACING REINFORCING STEEL.
 ALL STEEL IN THE DRILLED PIERS IS INCLUDED IN THE PAY ITEMS FOR REINFORCING STEEL AND SPIRAL COLUMN REINFORCING STEEL.
 THE CONTRACTOR'S ATTENTION IS CALLED TO THE FACT THAT THE LONGITUDINAL REINFORCEMENT FOR THE DRILLED PIERS IS DETAILED WITH ONE METER OF EXTRA LENGTH.

DRAWN BY: D. A. GLADDEN DATE: 7-26-04
 CHECKED BY: M. G. SHAIKH DATE: 8-27-04

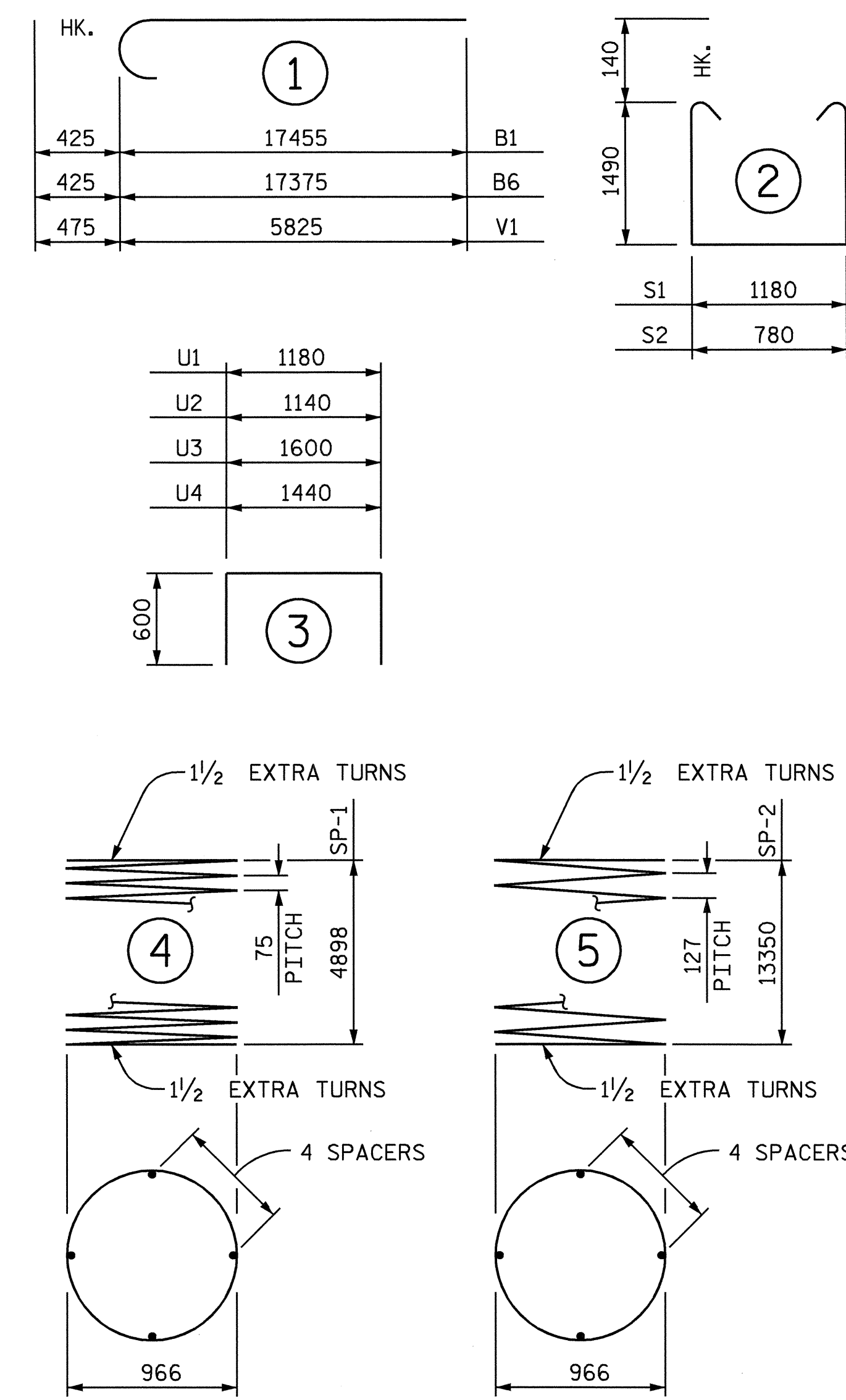
01-SEP-2004 12:18
 W:\squad\U2717\dgladden\Microstation\U2717bts.dgn
 dgladden

BILL OF MATERIAL

STAGE I						STAGE II							
BAR	NO.	SIZE	TYPE	LENGTH	WEIGHT	BAR	NO.	SIZE	TYPE	LENGTH	WEIGHT		
B1	7	#32	1	17880	802	B6	7	#32	1	17800	798		
B2	7	#32	STR	16520	741	B7	7	#32	STR	17400	780		
B3	10	#19	STR	15280	342	B8	10	#19	STR	17400	389		
B4	7	#13	STR	6620	46	B9	7	#13	STR	6240	43		
B5	7	#13	STR	8200	57	B10	7	#13	STR	4700	33		
M1	48	#36	STR	16680	6331	M1	48	#36	STR	16680	6331		
S1	41	#16	2	4440	283	S1	56	#16	2	4440	386		
S2	8	#16	2	4040	50	S2	8	#16	2	4040	50		
U1	50	#13	3	2380	118	U1	48	#13	3	2380	114		
U2	6	#13	3	2340	14	U2	6	#13	3	2340	14		
U3	5	#13	3	2800	14	U3	5	#13	3	2640	13		
V1	48	#36	1	6300	2391	V1	48	#36	1	6300	2391		
REINFORCING STEEL					= 11189 KG	REINFORCING STEEL					= 11342 KG		
SP-1	3	***	4	204880	610	SP-1	3	***	4	204880	610		
SP-2	3	**	5	322860	1503	SP-2	3	**	5	322860	1503		
SPIRAL COLUMN REINFORCING STEEL					= 2113 KG	SPIRAL COLUMN REINFORCING STEEL					= 2113 KG		
CLASS A CONCRETE BREAKDOWN						CLASS A CONCRETE BREAKDOWN							
POUR #2 (COLUMNS)						12.9	POUR #2 (COLUMNS)						12.9
POUR #3 (CAP)						32.9	POUR #3 (CAP)						39.1
CLASS A CONCRETE TOTAL						45.8	CLASS A CONCRETE TOTAL						52.0
DRILLED PIER						DRILLED PIER							
POUR #1 (DRILLED PIERS CONCRETE)						47.3	POUR #1 (DRILLED PIERS CONCRETE)						47.3
1.220m Ø DRILLED PIER NOT IN SOIL							1.220m Ø DRILLED PIER NOT IN SOIL						
NO. 3 LIN. METER3						7.2	NO. 3 LIN. METER3						7.2
1.220m Ø DRILLED PIER IN SOIL							1.220m Ø DRILLED PIER IN SOIL						
NO. 3 LIN. METER3						33.3	NO. 3 LIN. METER3						33.3
CROSSHOLE SONIC LOGGING					(EACH) 1	CROSSHOLE SONIC LOGGING					(EACH) 1		
CSL TUBES					METERS 171	CSL TUBES					METERS 171		

TOTAL QUANTITIES									
	1.220m Ø DRILLED PIERS IN SOIL		1.220m Ø DRILLED PIERS NOT IN SOIL		CROSSHOLE SONIC LOGGING	CSL TUBES	CLASS A CONCRETE	REINFORCING STEEL	SPIRAL COLUMN REINFORCING STEEL
	NO.	METERS	NO.	METERS	EACH	METERS	m ³	KG	KG
STAGE I	3	33.3	3	7.2	1	171	45.8	11189	2113
STAGE II	3	33.3	3	7.2		171	52.0	11342	2113
TOTAL	6	66.6	6	14.4	1	342	97.8	22531	4226

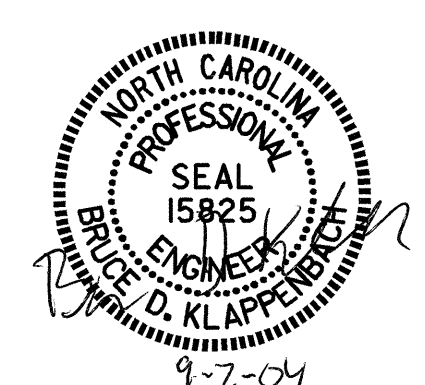
BAR TYPES



ALL BAR DIMENSIONS ARE OUT TO OUT.

*** THE SP-1 SPIRAL REINFORCING STEEL SHALL BE W20 OR D-20 COLD DRAWN WIRE OR #13 PLAIN OR DEFORMED BAR.
 ** THE SP-2 SPIRAL REINFORCING STEEL SHALL BE W31 OR D-31 COLD DRAWN WIRE OR #16 PLAIN OR DEFORMED BAR.

PROJECT NO. U-2717
 GUILFORD COUNTY
 STATION: 40+56.584 -L-
 SHEET 3 OF 3



STATE OF NORTH CAROLINA
 DEPARTMENT OF TRANSPORTATION
 RALEIGH

SUBSTRUCTURE BENT #1

REVISIONS					SHEET NO.
NO.	BY:	DATE:	NO.	BY:	DATE:
1			3		
2			4		

TOTAL SHEETS: 47