

SECTION N-N

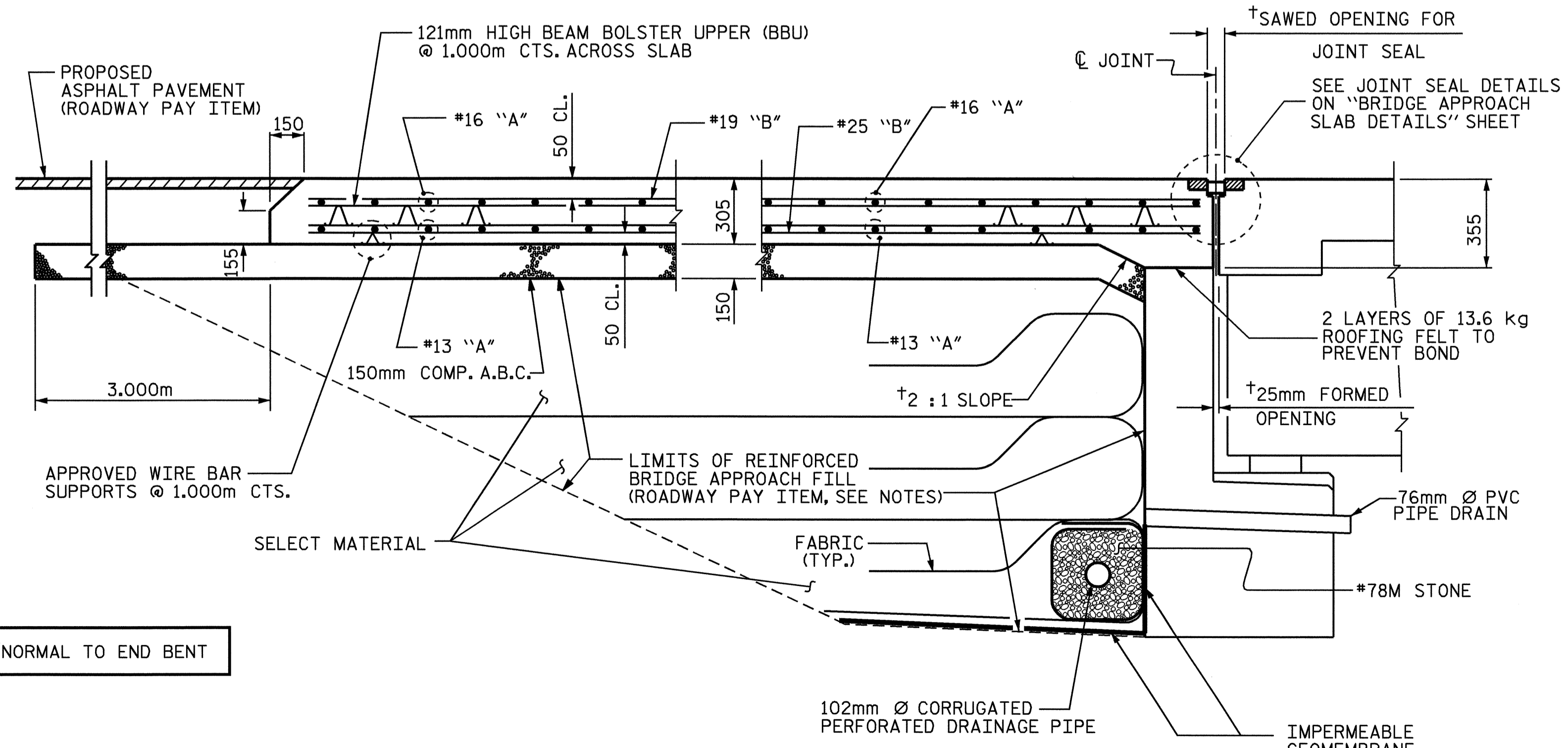
PLAN
AT END BENT #1 AT END BENT #2

*THESE DOWELS ARE TO BE PLACED AFTER SAWING OF THE JOINT. THE HOLES SHALL BE DRILLED AND THE DOWELS GROUTED IN PLACE.

SIDEWALK DETAILS

NOTES

- THE COST OF THE SIDEWALK ON THE APPROACH SLAB SHALL BE INCLUDED IN THE LUMP SUM CONTRACT PRICE BID FOR BRIDGE APPROACH SLABS.
- APPROACH SLAB SHALL NOT BE CONSTRUCTED PRIOR TO COMPLETION OF THE BRIDGE DECK.
- FOR REINFORCED BRIDGE APPROACH FILL INCLUDING FABRIC, IMPERMEABLE GEOMEMBRANE, 102mm Ø DRAINAGE PIPE, #78M STONE, AND SELECT MATERIAL, SEE ROADWAY PLANS.
- TEMPORARY DRAINAGE AND TEMPORARY BERM AND SLOPE DRAINS WILL BE PAID FOR UNDER THE LUMP SUM PRICE FOR BRIDGE APPROACH SLAB.
- AREA BETWEEN THE WINGWALL AND APPROACH SLAB SHALL BE GRADED TO DRAIN THE WATER AWAY FROM THE FILL FACE OF THE BRIDGE AND SHALL BE PAVED. SEE ROADWAY PLANS.
- THE 150mm COMP. A.B.C. SHALL EXTEND 3m BEYOND THE END OF THE APPROACH SLAB AND 300mm OUTSIDE OF EACH EDGE OF THE SLAB.
- THE CONTRACTOR MAY USE 100mm TYPE B-25.0B ASPHALT CONCRETE COURSE IN LIEU OF 150mm COMP. A.B.C. IF THIS OPTION IS USED, THE BASE COURSE SHALL EXTEND 300mm BEYOND THE END OF THE APPROACH SLAB AND THE WIDTH SHALL BE THE SAME AS THAT OF THE APPROACH SLAB.
- THE CONTRACTOR MAY USE 125mm CLASS "A" CONCRETE BASE IN LIEU OF 150mm COMP. A.B.C. IF THIS OPTION IS USED, THE CONCRETE BASE SHALL EXTEND 300mm BEYOND THE END OF THE APPROACH SLAB AND THE WIDTH SHALL BE THE SAME AS THAT OF THE APPROACH SLAB. THE CONCRETE SHALL BE FINISHED TO A SMOOTH SURFACE AND A LAYER OF 13.6 kg ROOFING FELT SHALL BE PLACED BETWEEN THE CONCRETE BASE AND THE APPROACH SLAB TO PREVENT BOND. THE APPROACH SLAB SHALL NOT BE CAST UNTIL THE CONCRETE BASE HAS REACHED AN AGE OF THREE CURING DAYS.
- THE JOINT SHALL BE SAWED PRIOR TO THE CASTING OF THE PARAPET AND END POST.
- APPROACH SLAB GROOVING IS REQUIRED.
- FOR EVAZOTE JOINT SEALS, SEE SPECIAL PROVISIONS.
- THE NOMINAL UNCOMPRESSED SEAL WIDTH OF THE EVAZOTE JOINT SEAL SHALL BE 64mm.
- FOR ELASTOMERIC CONCRETE, SEE SPECIAL PROVISIONS.

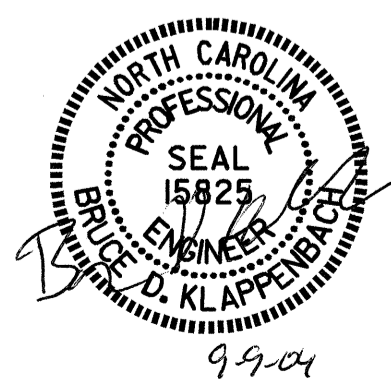


SECTION THRU SLAB

PROJECT NO. U-2717
CUMBERLAND COUNTY
STATION: 40+56.584 -L-

SHEET 1 OF 5

STATE OF NORTH CAROLINA
DEPARTMENT OF TRANSPORTATION
RALEIGH
BRIDGE
APPROACH SLAB FOR
FLEXIBLE PAVEMENT
WITH SIDEWALK



REVISIONS						SHEET NO. 5-43
NO.	BY:	DATE:	NO.	BY:	DATE:	
1			3			TOTAL SHEETS 47
2			4			

DRAWN BY: J.B. WILSON DATE: 6/04
CHECKED BY: G.M. PATTERSON DATE: 8/04