

**LOAD SWITCH ASSIGNMENT DETAIL**  
(program controller according to schedule in chart below)

LOAD SWITCH NUMBER	FUNCTION
1	Ø 1
2	Ø 2
3	Ø 3
4	Ø 4
5	Ø 5
6	Ø 6
7	Ø 7
8	Ø 8
9	OLA
10	OLB
11	OLC
12	OLD
13	Ø 2PED
14	Ø 4PED
15	Ø 6PED
16	Ø 8PED

**PEEK 3000 BACK-UP PROTECTION PROGRAMMING DETAIL**  
(program controller as shown below)

- PROGRAM CONTROLLER TO OMIT PHASE 1 DURING PHASE 2 ON.
- TO ACCOMPLISH BACKUP FEATURE DESCRIBED IN NOTE 1, GO TO CONTROLLER MENU, SELECT 2: 'PHASE FUNCTION MENU'; THEN SELECT 2: 'DYNAMIC OMITTS'. PAGE DOWN TO 'GRP1'; SELECT 'Y' TO ENABLE, THEN SELECT APPROPRIATE PHASES.

FROM THE CONTROLLER SUBMENU:  
SELECT 2. PHASE FUNCTIONS THEN  
SELECT 2. DYNAMIC OMITTS

```
DYNAMIC OMIT GRP 1 (1 OF 8) VALUE(YES/NO)
ENABLE: Y          1 1 1 1 1 1 1
FUNC\PH 1 2 3 4 5 6 7 8 9 0 1 2 3 4 5 6
OMIT PHS X
IF PH ON X
OR
IF O/L A B C D E F G H I J K L M N O P
GRN
```

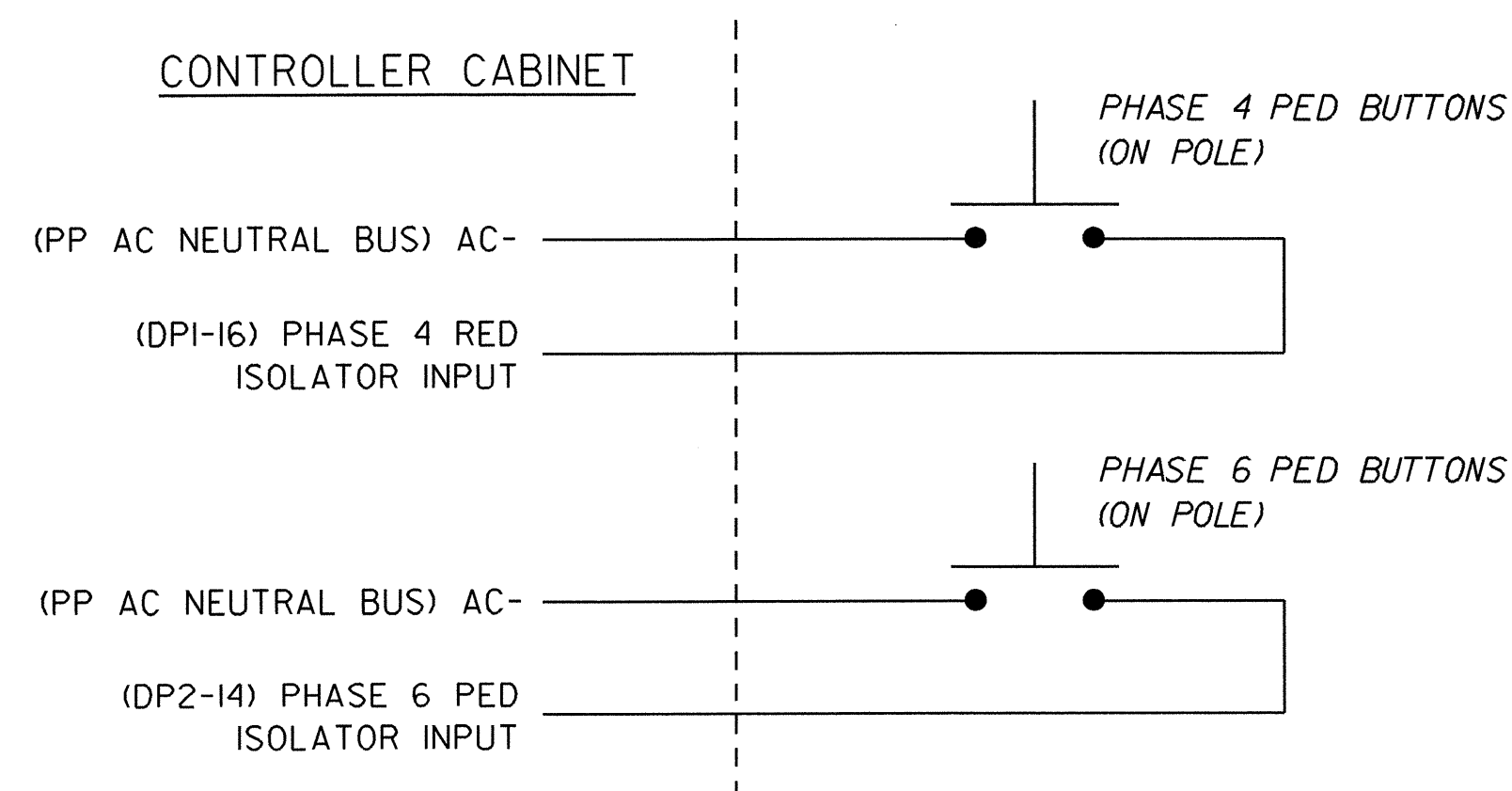
FROM THE CONTROLLER SUBMENU:  
SELECT 5. DETECTOR MENU THEN  
SELECT 5. DETECTOR COPY

```
DETECTOR COPY          VALUE(YES/NO)
DETECTOR COPY ENABLE: Y
DETECTOR COPY GRP 2 INPUT ENABLE: N
PGDN FOR COPY PROGRAMMING
```

```
DETECTOR COPY GRP 1          1 OF 16
ON THE FOLLOWING PHASE GREENS
COPY DETECTORS FROM PH: 1 TO PH: 4
(1-16) (1-16)
VALUE (YES/NO)              1 1 1 1 1 1 1
PH GRNS 1 2 3 4 5 6 7 8 9 0 1 2 3 4 5 6
X X
```

**PEDESTRIAN PUSH-BUTTON WIRING DETAIL**

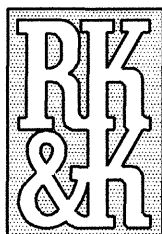
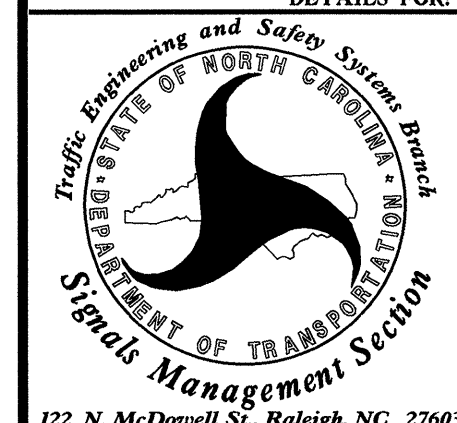
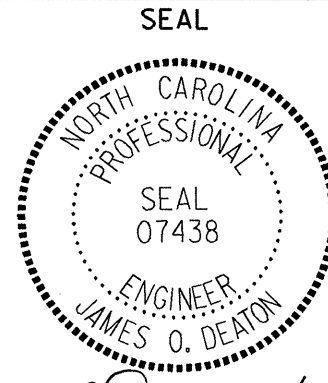
(wire push-buttons as shown below)



THIS ELECTRICAL DETAIL IS FOR  
THE SIGNAL DESIGN: 07-2052T1  
DESIGNED: 03/19/2004  
SEALED: 06/15/2004  
REVISED:

TEMPORARY SIGNAL 1 - TCP PHASE 1-2

PAGE 2 OF 2

 <p><b>PLANS PREPARED BY :</b> <b>RUMMEL KLEPPER &amp; KAHL, LLP</b> <i>consulting engineers</i> 5800 FARINGDON PLACE SUITE 105 RALEIGH, NORTH CAROLINA 27609-3960 <b>FOR</b> <b>DIVISION OF HIGHWAYS</b></p>	 <p>122 N. McDowell St., Raleigh, NC 27603</p>	<p align="center">SR 1113 (KIVETT DRIVE) AT TRIANGLE LAKE ROAD / DILLON ROAD</p>		 <p>SEAL NORTH CAROLINA PROFESSIONAL SEAL 07438 ENGINEER JAMES O. DEATON</p>			
		<p>PREPARED BY: <b>M W YALCH</b></p>	<p>REVIEWED BY: <b>J O DEATON</b></p>		<p>REVISIONS</p> <table border="1"> <tr> <th>INIT.</th> <th>DATE</th> </tr> <tr> <td> </td> <td> </td> </tr> </table>	INIT.	DATE
INIT.	DATE						
<p>122 N. McDowell St., Raleigh, NC 27603</p>		<p>SR 1113 (KIVETT DRIVE) AT TRIANGLE LAKE ROAD / DILLON ROAD</p>		<p>SIG. INVENTORY NO. 07-2052T1</p>			