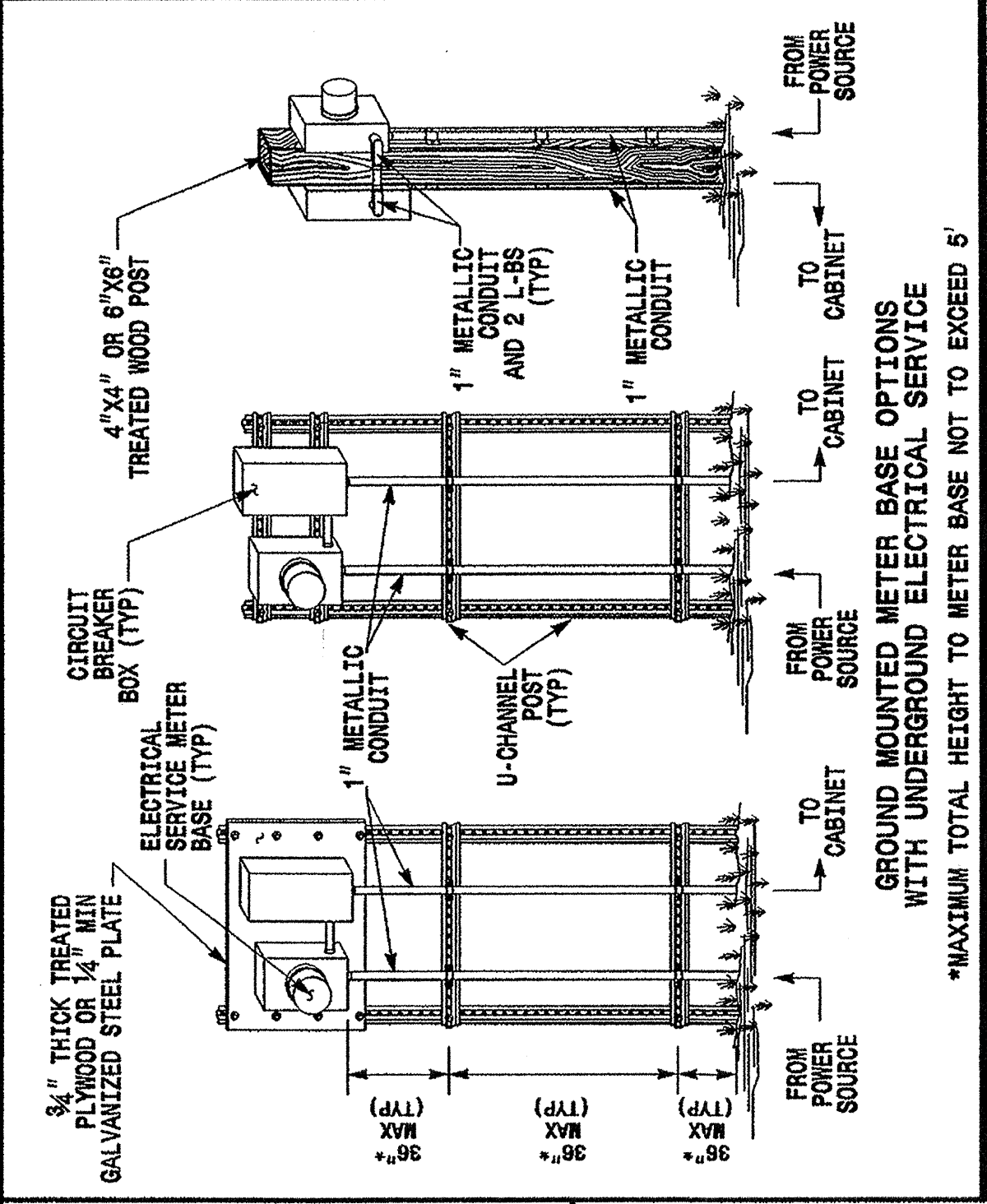
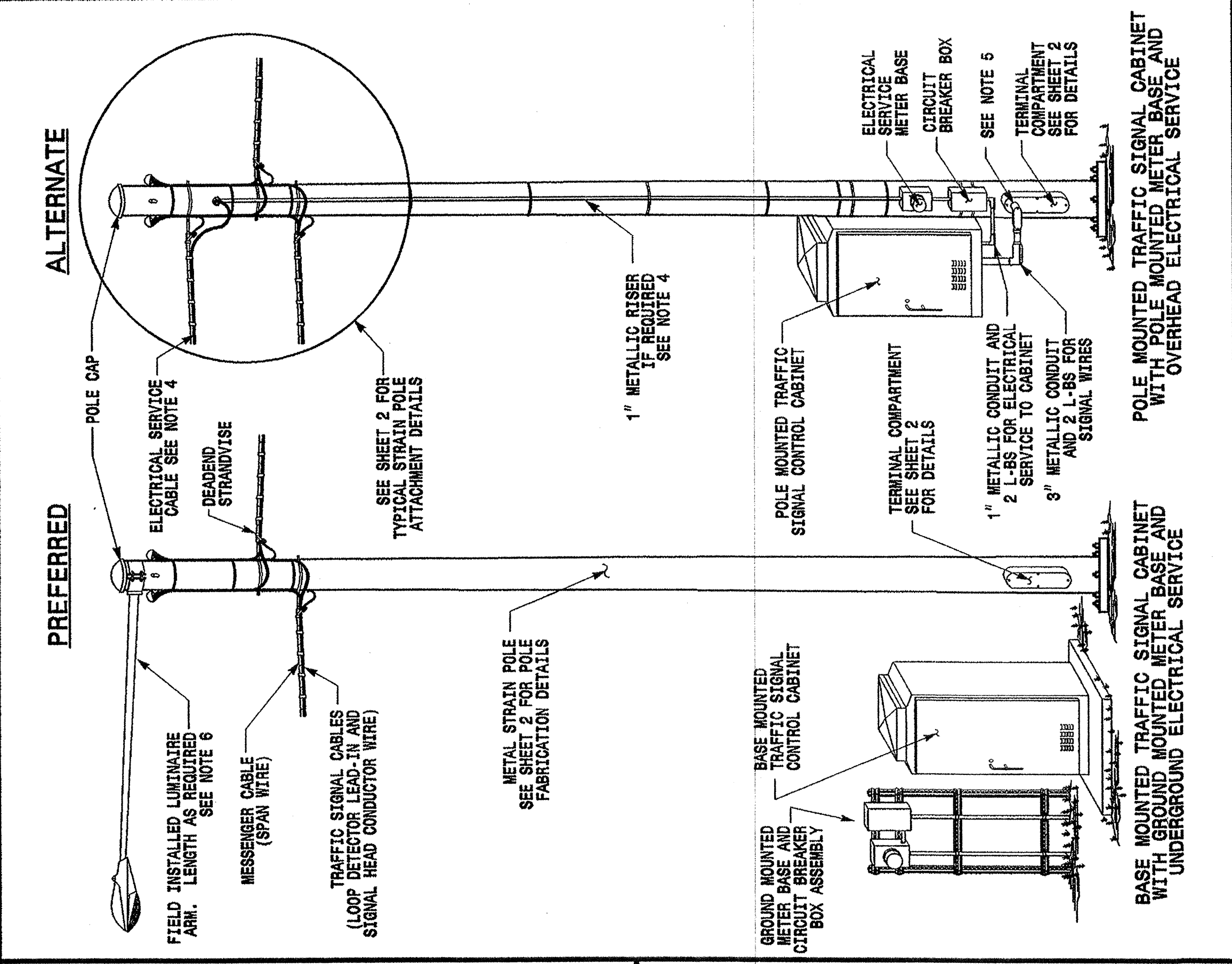


STATE OF NORTH CAROLINA DEPT. OF TRANSPORTATION DIVISION OF HIGHWAYS RALEIGH, N.C.
METAL POLES ELECTRICAL SERVICE AND SIGNAL CABINET MOUNTING OPTIONS
 ENGLISH STANDARD DRAWING FOR
 SHEET 1 OF 3
1740.01



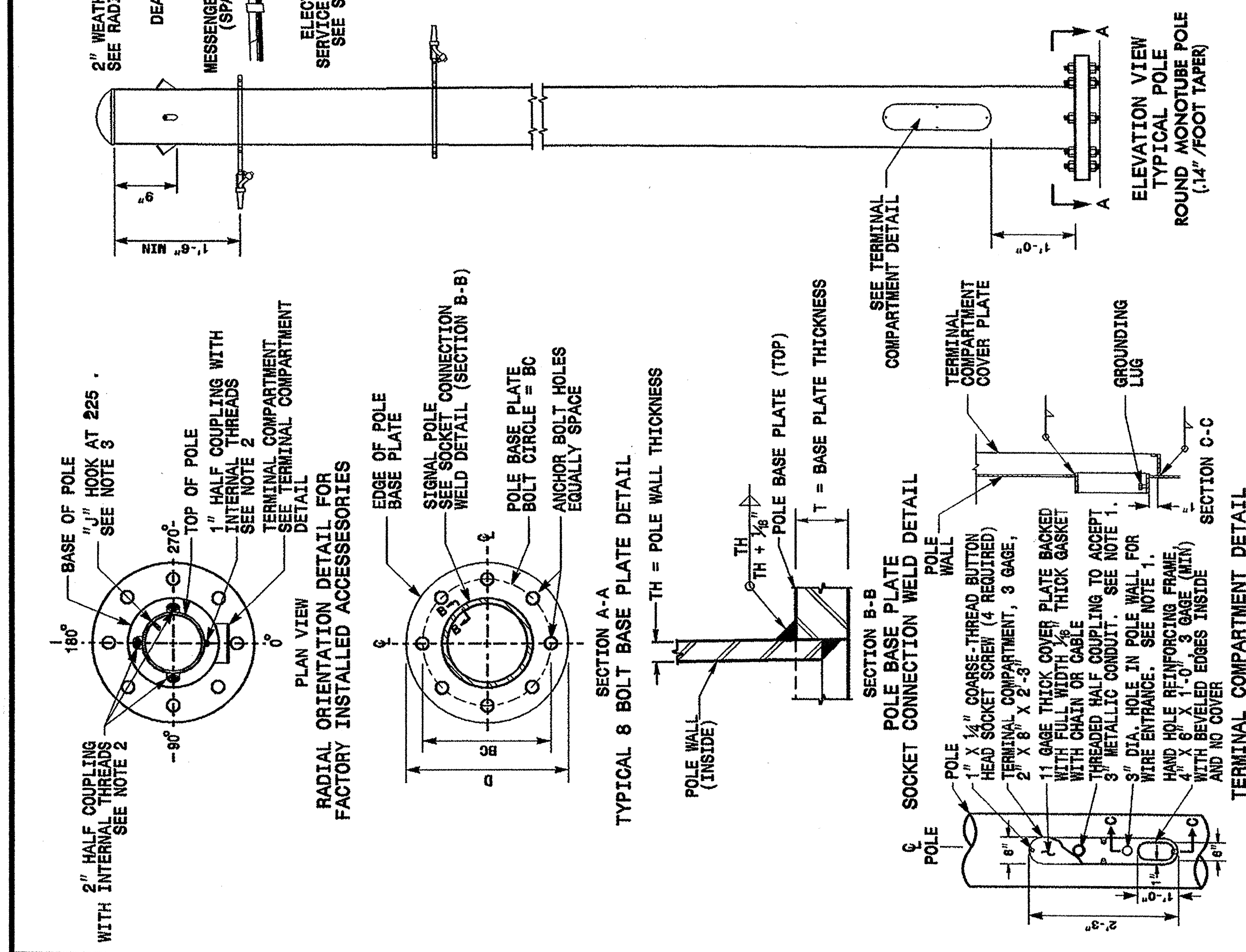
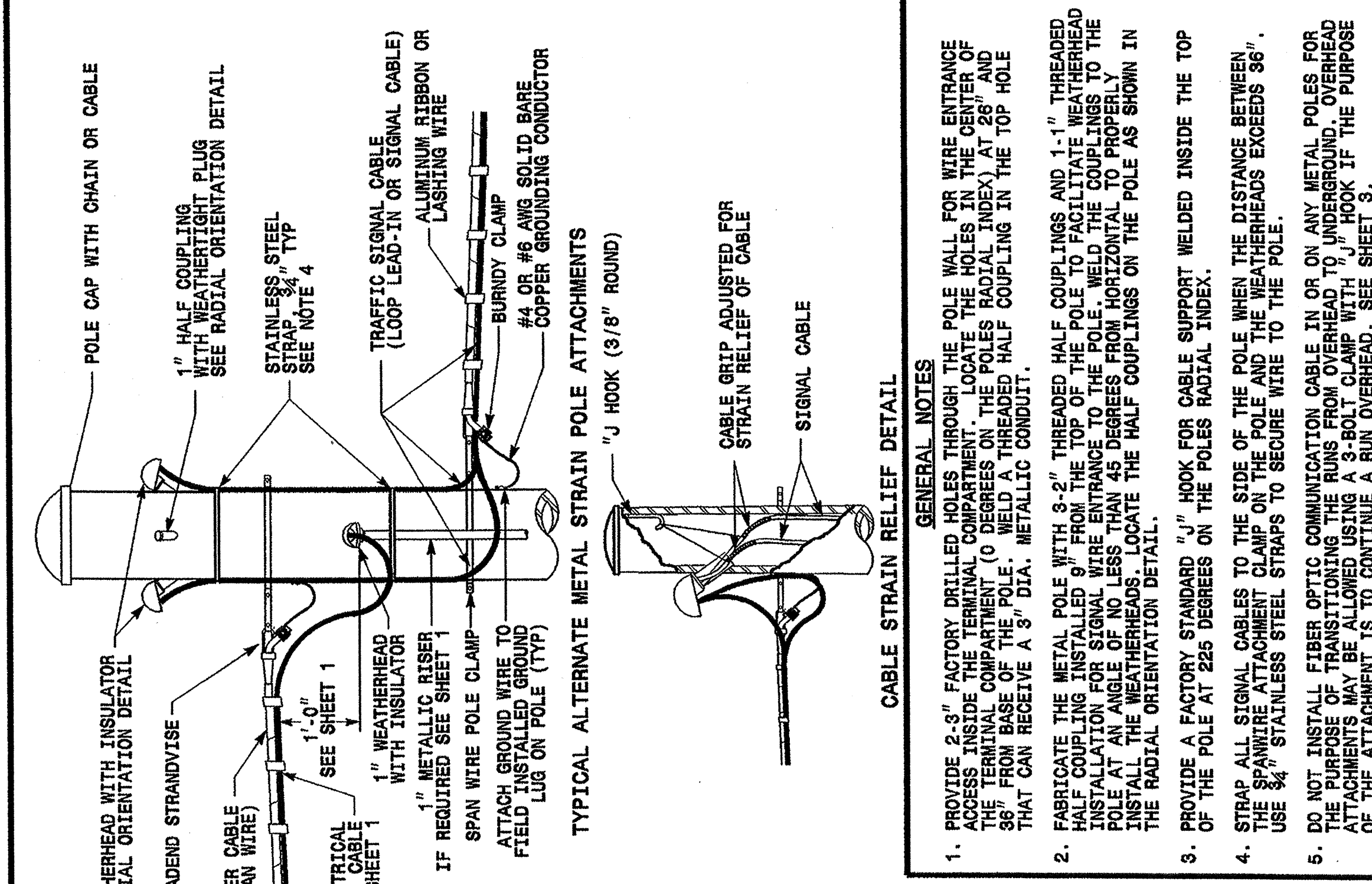
GENERAL NOTES

- WHEN TRAFFIC SIGNALS ARE INSTALLED USING METAL SIGNAL SUPPORTS:
 - BASE MOUNTED CABINETS ARE THE PREFERRED CABINET OPTION.
 - ROUTE POWER SOURCE UNDERGROUND AND USE GROUND MOUNTING OPTIONS SHOWN ABOVE TO INSTALL METER BASE AND CIRCUIT BREAKER BOX IF POSSIBLE.
- LOCATE THE METER BASE ASSEMBLY NEAR THE SIGNAL CABINET IN A MANNER THAT WILL ALLOW EASY ACCESS TO THE CIRCUIT BREAKER BOX.
- INSTALL METER BASE ASSEMBLIES AS SHOWN ABOVE. ENSURE METALLIC CONDUITS ARE PROPERLY SECURED BETWEEN THE METER BASE ASSEMBLIES AND THE GROUND TO MINIMIZE DAMAGE POTENTIAL. REFER TO ROADWAY STANDARD DRAWING 1751.02 FOR ELECTRICAL SERVICE DETAILS.
- INSTALL ELECTRICAL SERVICE ENTRANCE CONDUCTOR AS SHOWN WHEN UNDERGROUND SOURCE IS NOT AN OPTION. METER BASE AND CIRCUIT BREAKER BOX MAY BE INSTALLED ON THE POLE WHEN POLE MOUNTED CABINETS ARE REQUIRED FOR THE INSTALLATION. SEE SHEET 2 FOR ADDITIONAL INSTALLATION DETAILS.
- FOR POLE MOUNTED CABINETS, USE A FACTORY DRILLED HOLE IN THE TERMINAL COMPARTMENT TO PROVIDE ACCESS FOR SIGNAL WIRES ENTERING THE POLE FROM THE CABINET. FIELD DRILLED HOLES ARE ACCEPTABLE ONLY IF APPROVED BY THE ENGINEER.
- SEE ROADWAY STANDARD DRAWING 1406.01 (LIGHT STANDARD LUMINAIRES) FOR LUMINAIRE INSTALLATIONS.

*MAXIMUM TOTAL HEIGHT TO METER BASE NOT TO EXCEED 5'

STATE OF NORTH CAROLINA DEPT. OF TRANSPORTATION DIVISION OF HIGHWAYS RALEIGH, N.C.
METAL POLES ELECTRICAL SERVICE AND SIGNAL CABINET MOUNTING OPTIONS
 ENGLISH STANDARD DRAWING FOR
 SHEET 1 OF 3
1740.01

STATE OF NORTH CAROLINA DEPT. OF TRANSPORTATION DIVISION OF HIGHWAYS RALEIGH, N.C.
METAL POLES FABRICATION AND ATTACHMENT DETAILS
 ENGLISH STANDARD DRAWING FOR
 SHEET 2 OF 3
1740.01



STATE OF NORTH CAROLINA DEPT. OF TRANSPORTATION DIVISION OF HIGHWAYS RALEIGH, N.C.
METAL POLES FABRICATION AND ATTACHMENT DETAILS
 ENGLISH STANDARD DRAWING FOR
 SHEET 2 OF 3
1740.01

Standard Drawings
 Traffic Management and Signal Systems Unit
 122 N. McDowell St., Raleigh, NC 27603

See Plate for Title

Original: 2002 Standards

<p>Structural Engineer</p> <p><i>E. S. Sarker</i> 9-23-03</p>	<p>Electrical Engineer</p> <p><i>M. J. Dean</i> 9-24-03</p>
---	---