

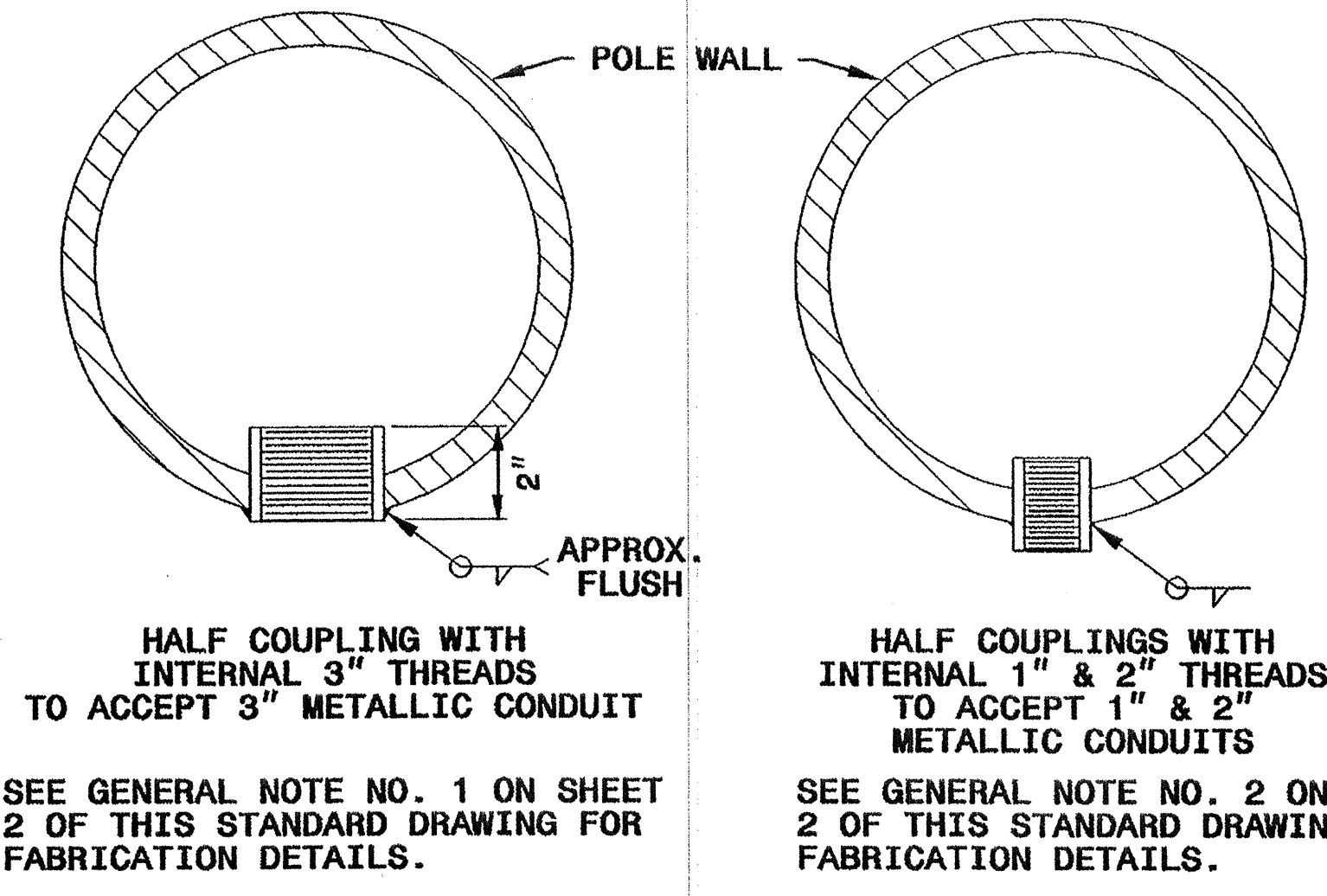
STATE OF NORTH CAROLINA
DEPT. OF TRANSPORTATION
DIVISION OF HIGHWAYS
RALEIGH, N.C.

9-03

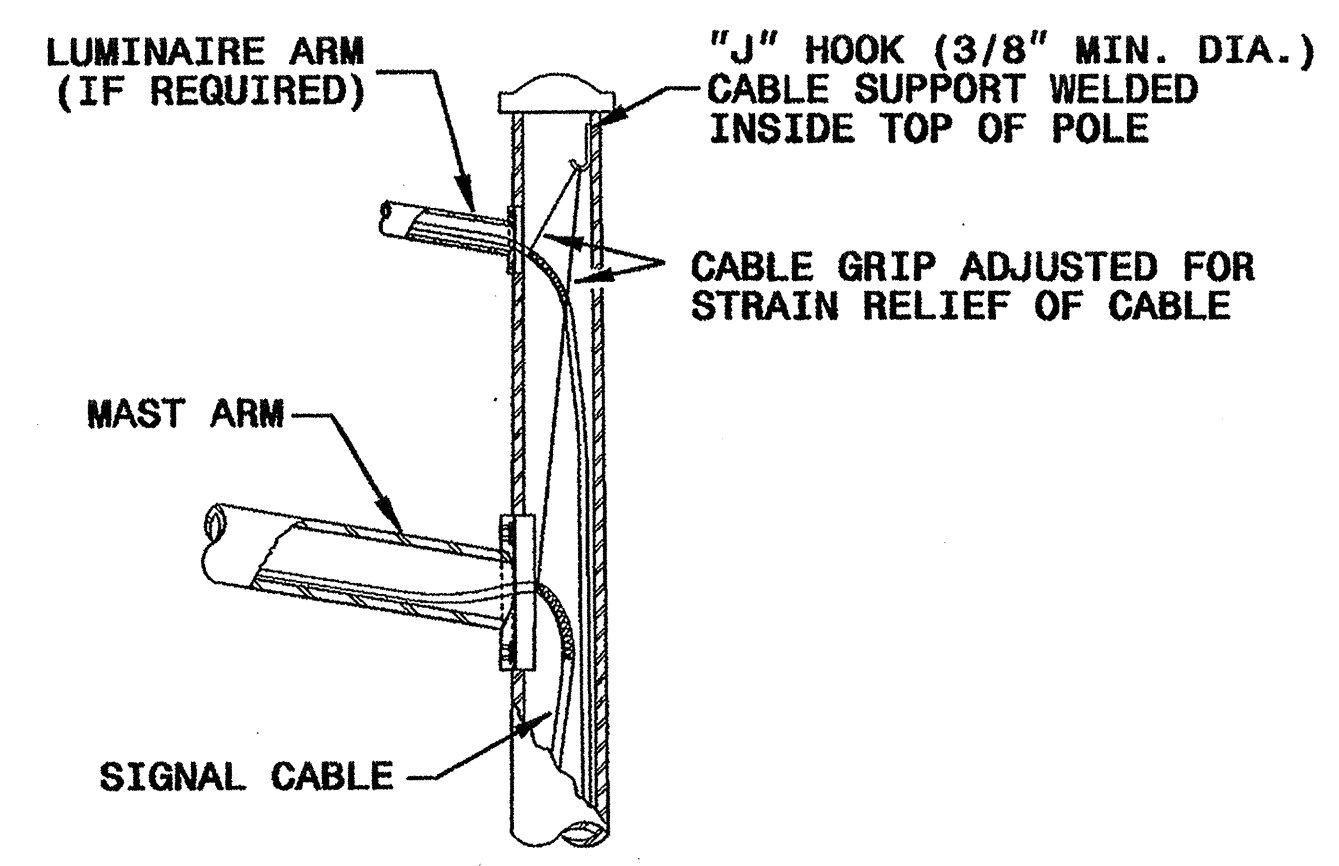
ENGLISH STANDARD DRAWING FOR
METAL POLES
MISCELLANEOUS DETAILS

SHEET 3 OF 3
1740.01

MOUNTING POINT DETAIL
CABLE ENTRANCE IN TERMINAL COMPARTMENT CABLE ENTRANCES AT TOP OF POLE



CABLE STRAIN RELIEF



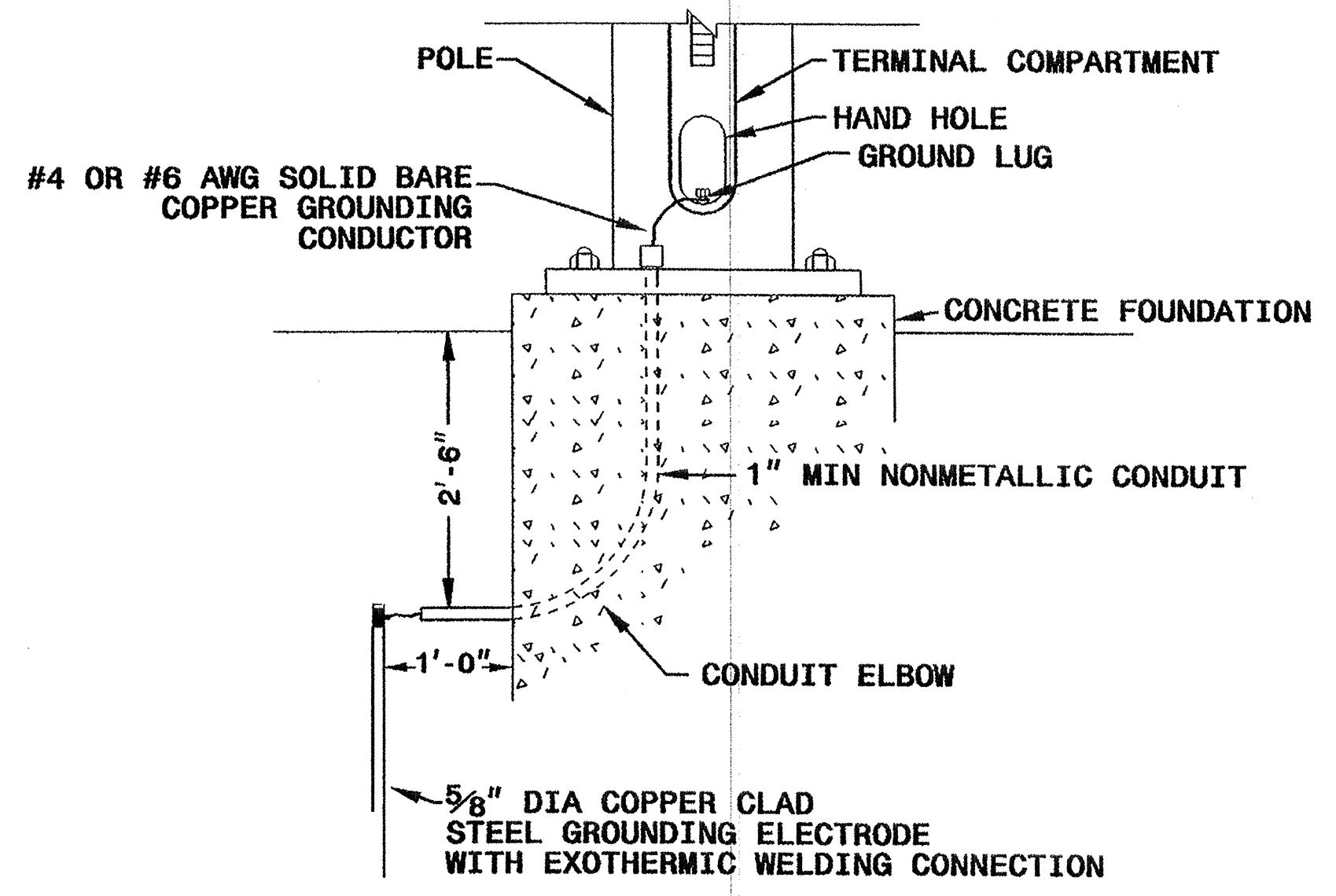
STATE OF NORTH CAROLINA
DEPT. OF TRANSPORTATION
DIVISION OF HIGHWAYS
RALEIGH, N.C.

9-03

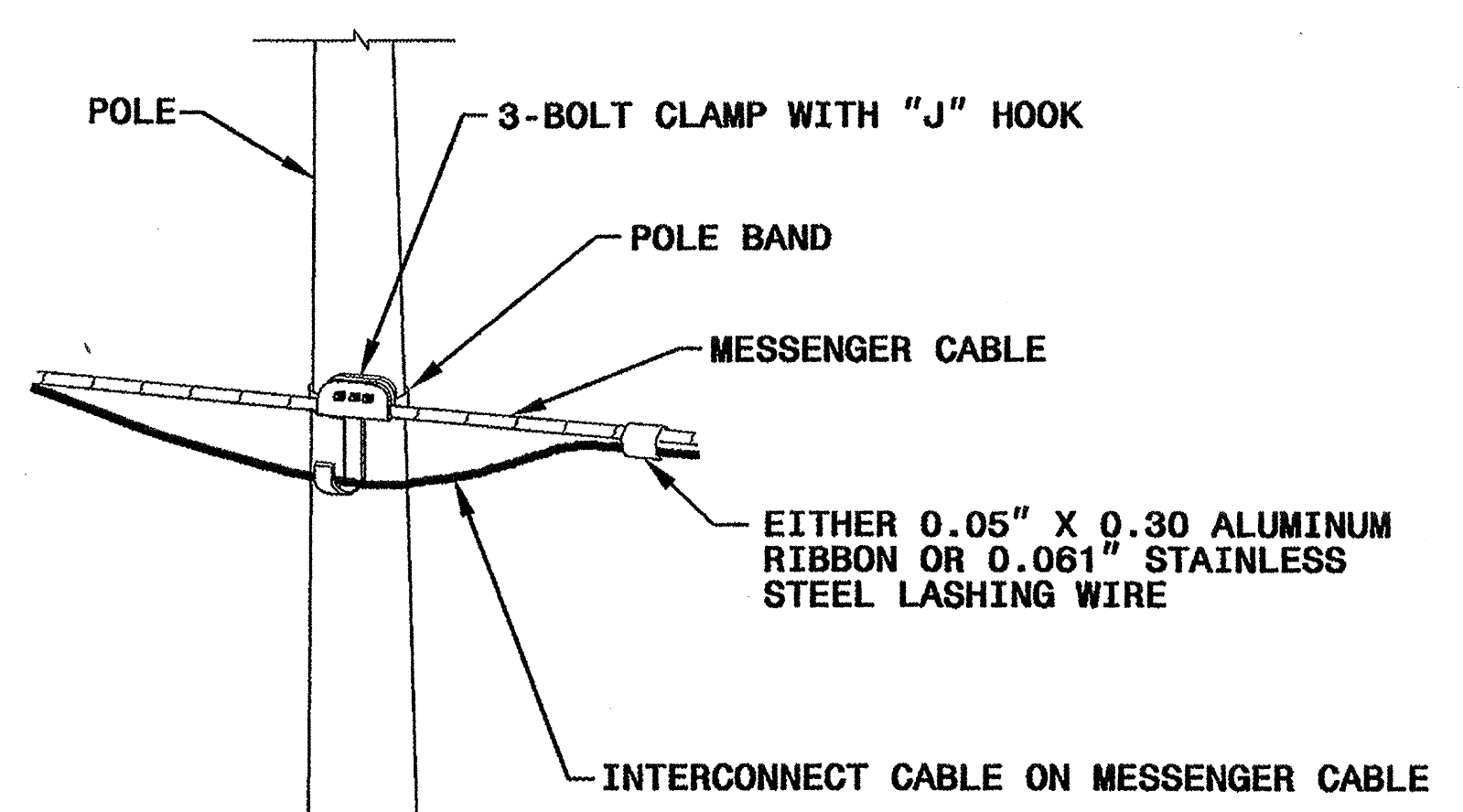
ENGLISH STANDARD DRAWING FOR
METAL POLES
MISCELLANEOUS DETAILS

SHEET 3 OF 3
1740.01

METAL POLE GROUNDING DETAIL



ATTACHMENT OF CABLE TO INTERMEDIATE METAL POLE



19-SEP-2003 14:27
C:\p0001\ee-un\11\mork\p0001\standards\174001\sheet3.dgn
174001

Structural Engineer	Electrical Engineer
<i>D. Sankar</i>	<i>Milton J. Deaton</i>
9/19/2003	9/22/03
Standard Drawings	
Traffic Management and Signal Systems Unit 122 N. McDowell St., Raleigh, NC 27603	
See Plate for Title	
Original: 2002 Standards	