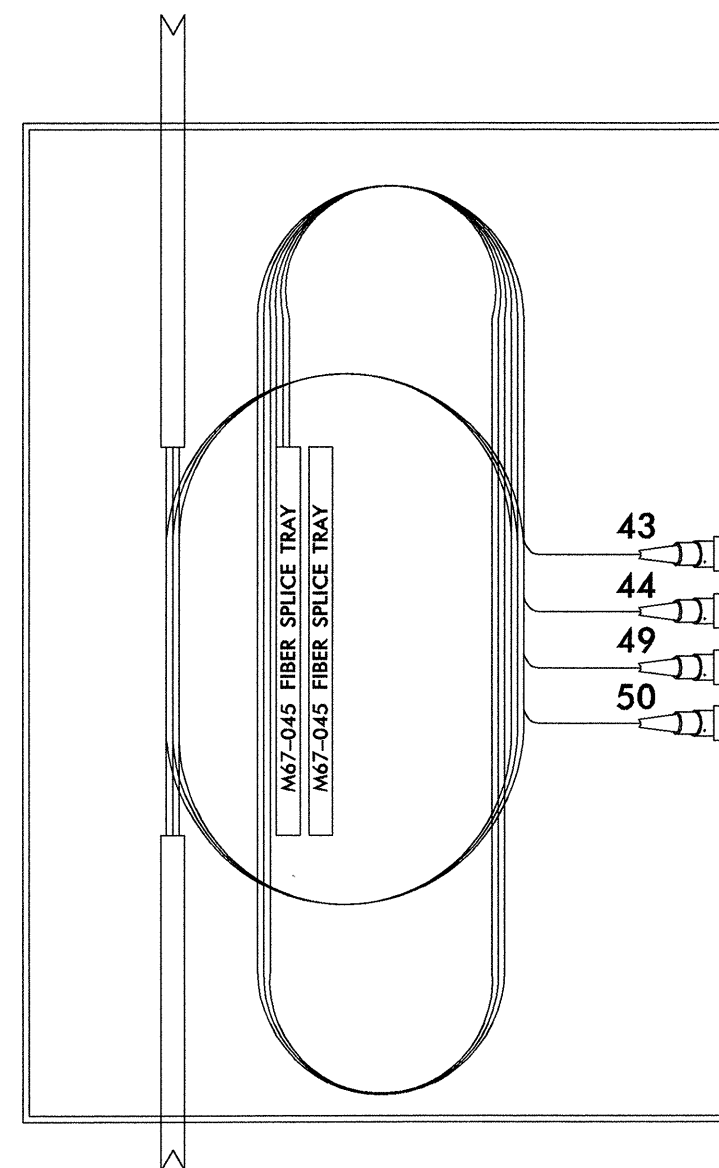


INTERSECTION ID # 708
 SR 1113 (KIVETT DRIVE) AT
 PENDLETON STREET
 (07-1467)

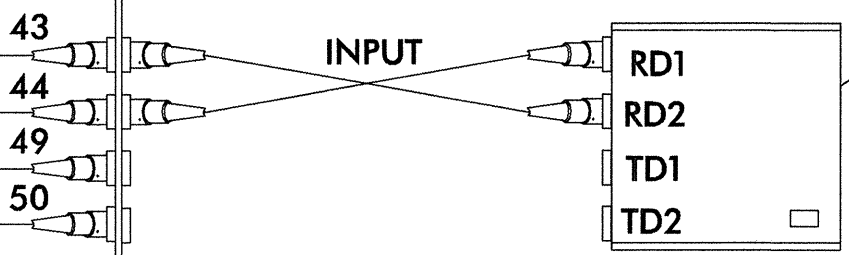
LEGEND
 X = FUSION SPLICE

COLOR CODE
 TIA/EIA 598-A

- (1) BLUE
- (2) ORANGE
- (3) GREEN
- (4) BROWN
- (5) SLATE
- (6) WHITE
- (7) RED
- (8) BLACK
- (9) YELLOW
- (10) VIOLET
- (11) ROSE
- (12) AQUA

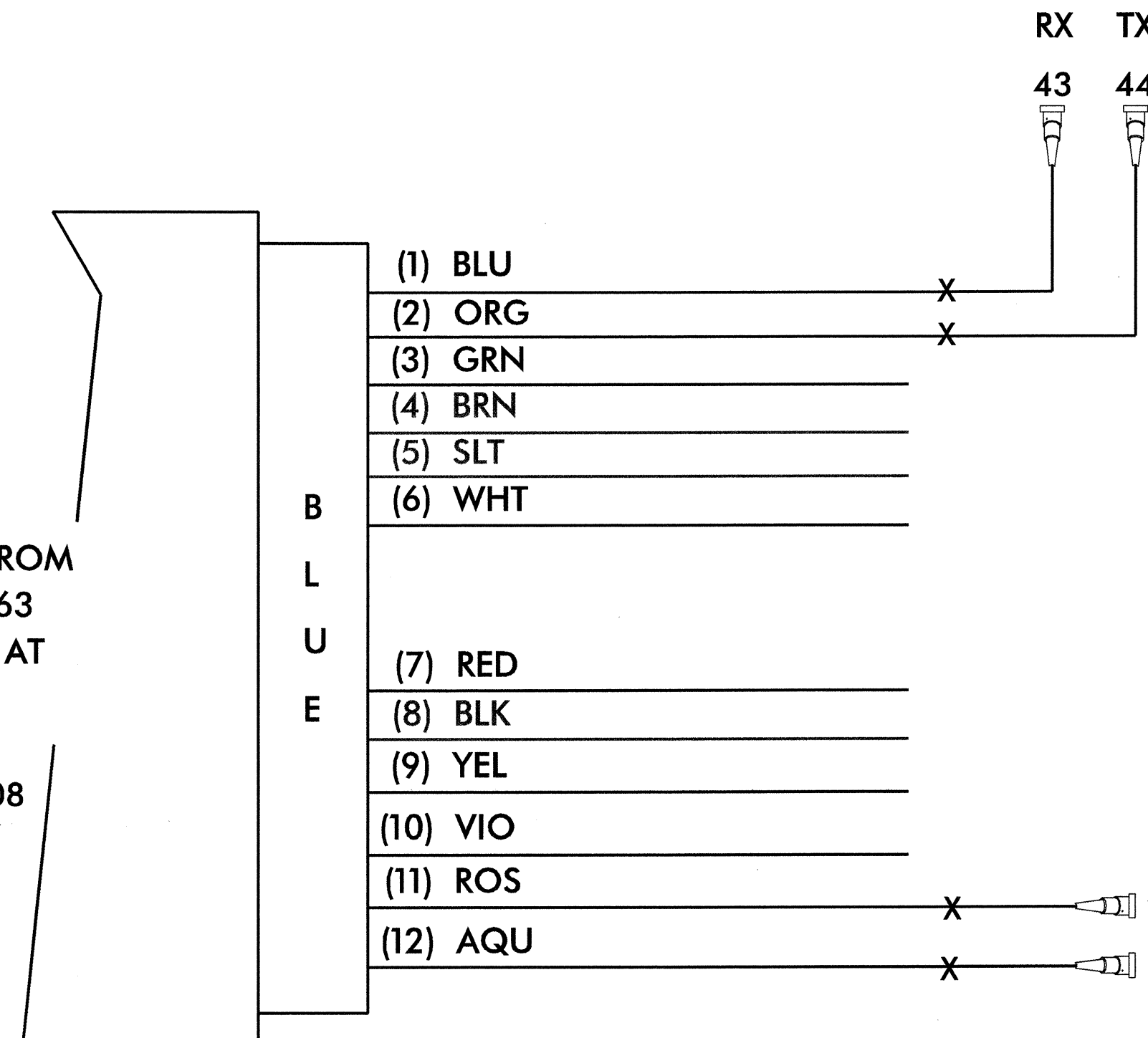


4132A-LD-ST



FURNISH NEW INTERCONNECT CENTER,
 OPTILECOM FIBER-OPTIC MODEM PART
 NUMBER 4132A-LD-ST PS (POWER SUPPLY)
 OR AN APPROVED EQUIVALENT

12 FIBER DROP CABLE FROM
 SPLICE LOCATION S-63
 SR 1113 (KIVETT DRIVE) AT
 PENDLETON STREET
 (07-1467)
 INTERSECTION I.D. #708



SPLICE TO BULKHEAD

	SPLICE PLAN		
	FIBER OPTIC CABLE		
	US 29,70/185 BUS INTERCHANGE		
DIVISION 07 GUILFORD COUNTY HIGH POINT		PREPARED BY: C.B. HOLDEN PKM PROJ.# 302-079-SIG5	
PLAN DATE: MAY 2004		REVIEWED BY: D.W. MORTON	
SCALE	REVISIONS	INIT.	DATE
N/A			
		SIGNATURE: <i>D.W. Morton</i> DATE: 7-7-04	
CADD FILE NAME: SPLICEDETAIL2.DGN			