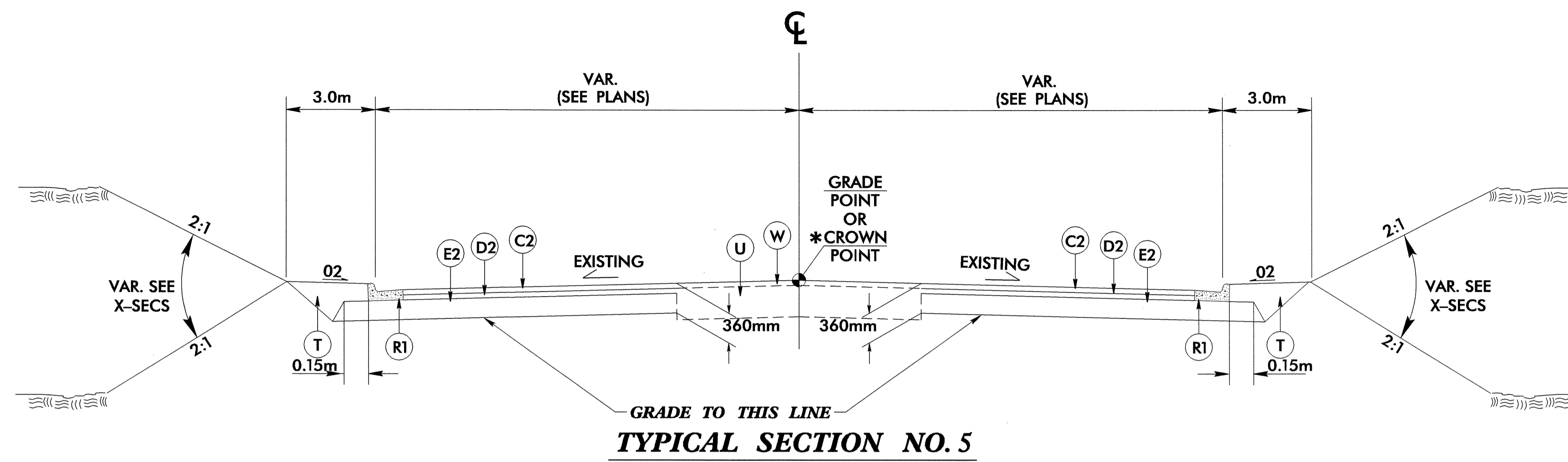


C1	80mm S9.5B
C2	80mm S9.5C
D1	100mm I19.0B
D2	100mm I19.0C
E1	100mm B25.0B
E2	180mm B25.0C
R1	750mm C&G
T	EARTH MATERIAL
U	EXIST. PAVEMENT
W	WEDGING

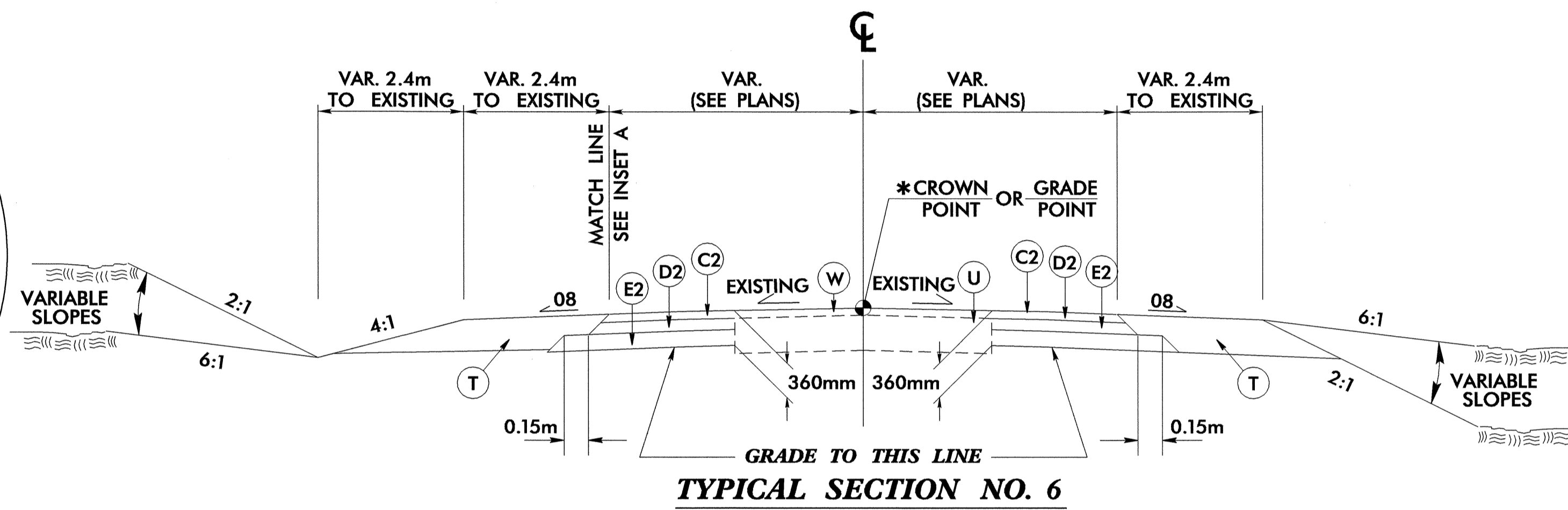
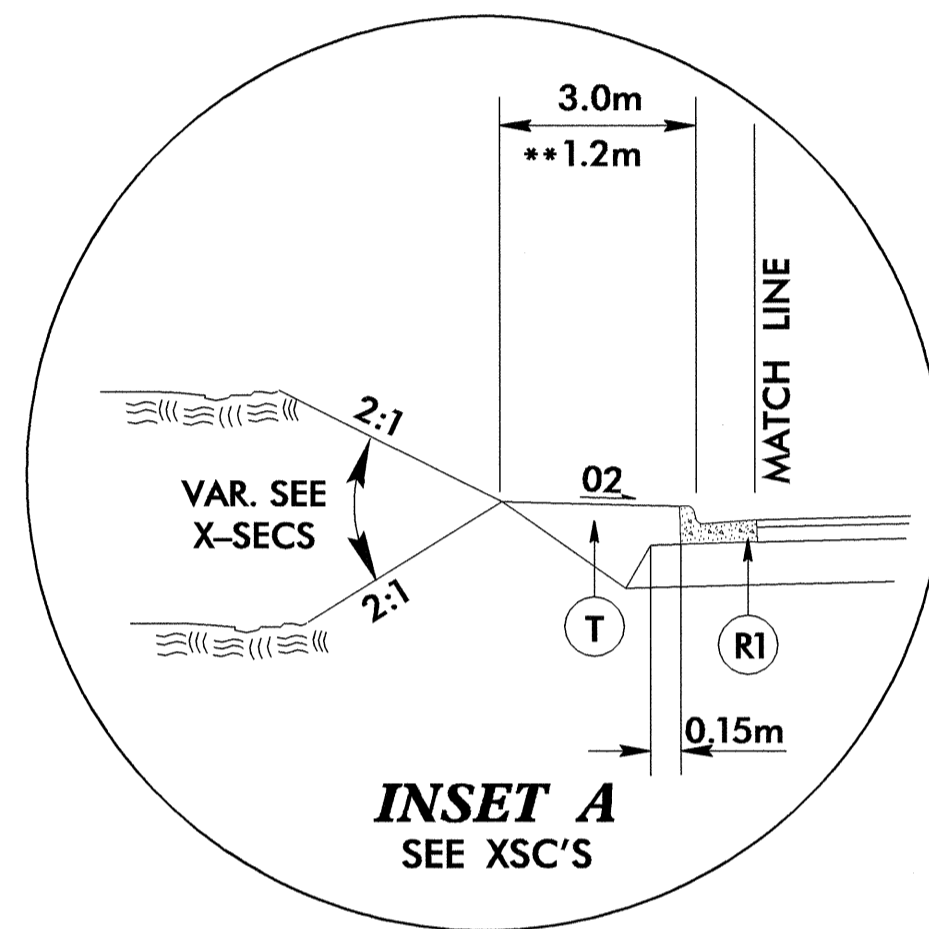


PROJECT REFERENCE NO.	U-2717	SHEET NO.	2-B
ROADWAY DESIGN ENGINEER	[Signature]	PAVEMENT DESIGN ENGINEER	[Signature]
SEAL 14493		SEAL 22856	



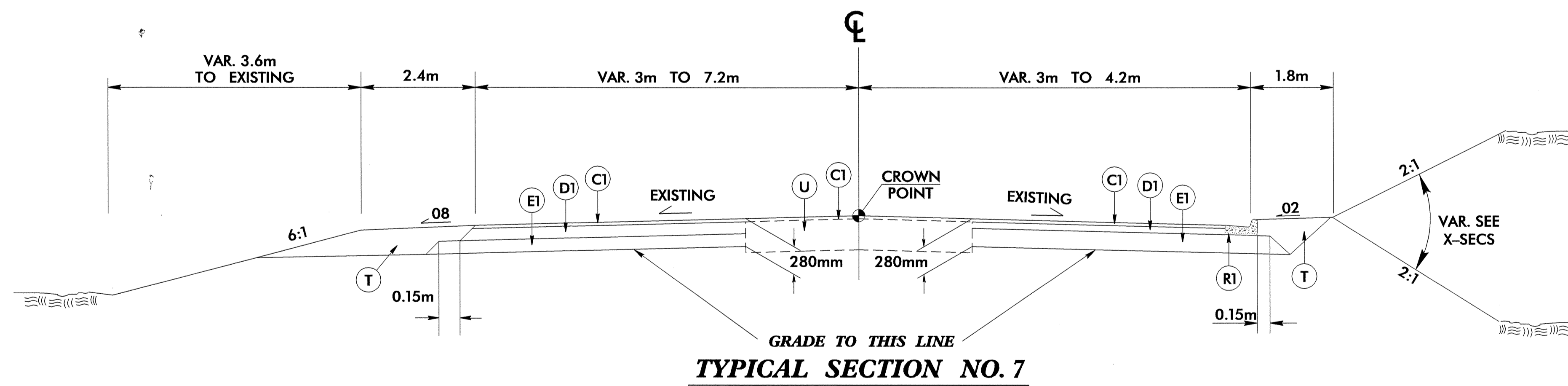
USE TYPICAL SECTION NO. 5 AS FOLLOWS:

-Y7-	10+28.148	10+50.000
-Y8-	10+20.882	10+37.500
-Y9-	11+18.000	11+31.437
*-Y14-	11+09.000	11+30.000
-Y17-	10+14.300	10+25.000
-Y18-	10+50.000	10+65.000



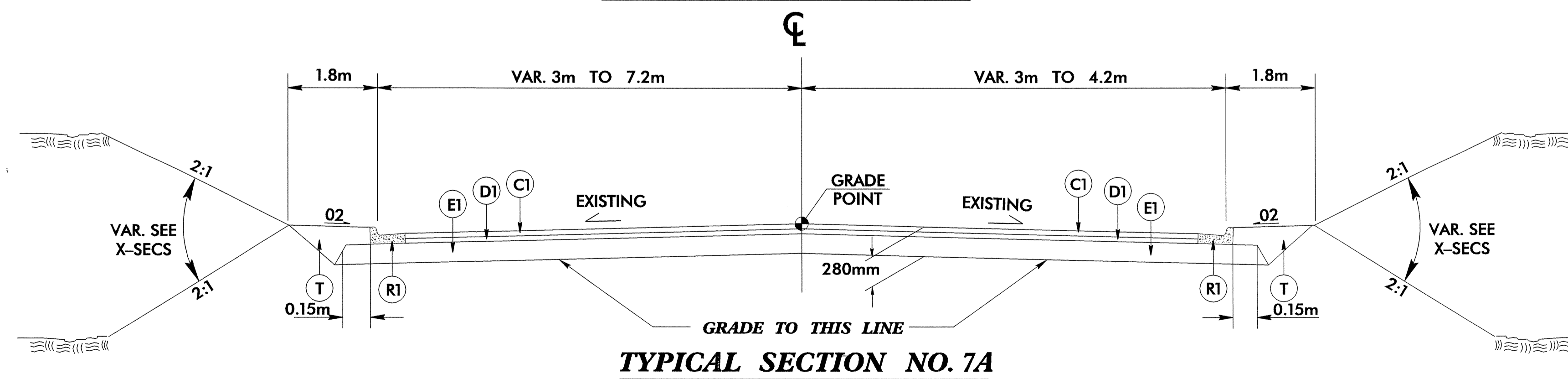
USE TYPICAL SECTION NO. 6 AS FOLLOWS:

*-Y3-	10+22.500	10+32.500
-Y4-	10+19.779	10+50.000
*-Y5-	10+20.734	10+40.734
*-Y6-	11+08.462	11+28.462
*-Y10-	10+20.916	10+40.916
*-Y11-	11+05.000	11+26.000
*-Y12-	10+22.558	10+42.933
-Y13-	10+93.980	11+10.000
** -Y15-	10+74.270	11+54.359
-Y19-	10+22.000	10+30.000
*-Y19-	10+30.000	10+41.000
-Y20-	11+00.000	11+28.217



USE TYPICAL SECTION NO. 7 AS FOLLOWS:

-Y21- 10+00.000 TO 11+26.364



USE TYPICAL SECTION NO. 7A AS FOLLOWS:

-Y21- 11+26.364 TO 11+39.284

ID-AUG-2004 09:05 AUG2717.rup BWedeking AT 10196538