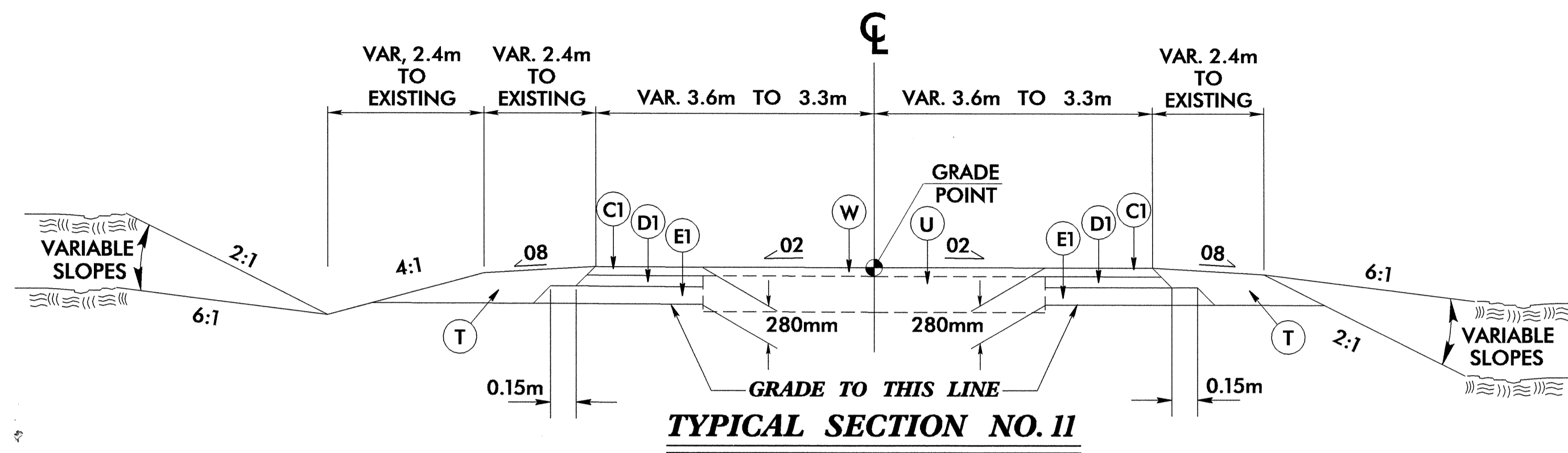


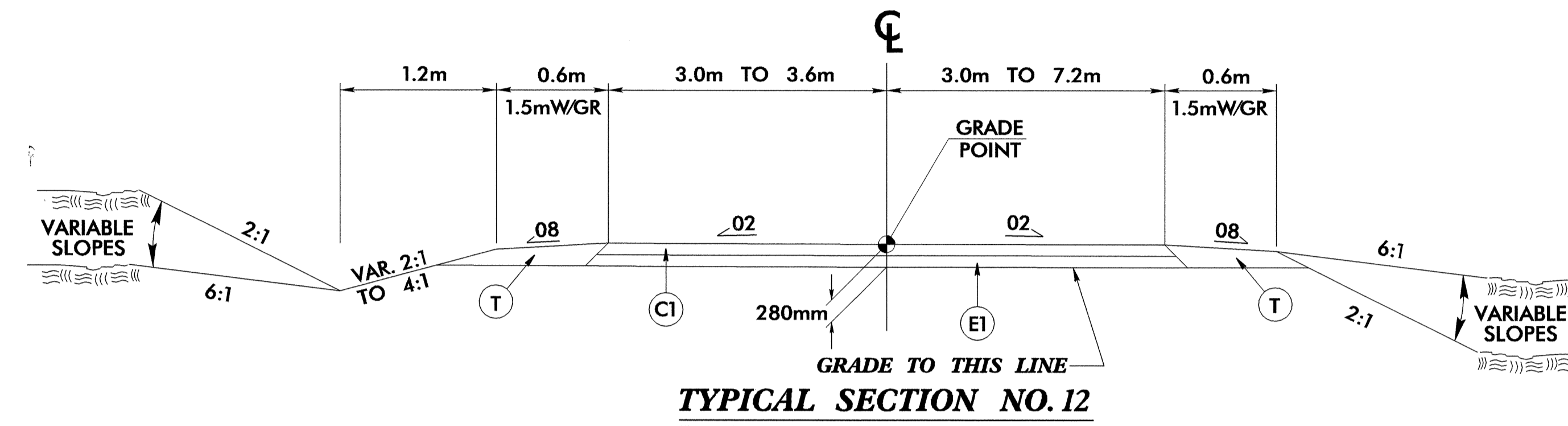
C1	80mm S9.5B
C2	80mm S9.5C
C3	40mm S9.5C
D1	100mm I19.0B
D3	75mm I19.0C
E1	100mm B25.0B
E3	170mm B25.0C
J1	200mm ABC
T	EARTH MATERIAL
U	EXIST. PAVEMENT



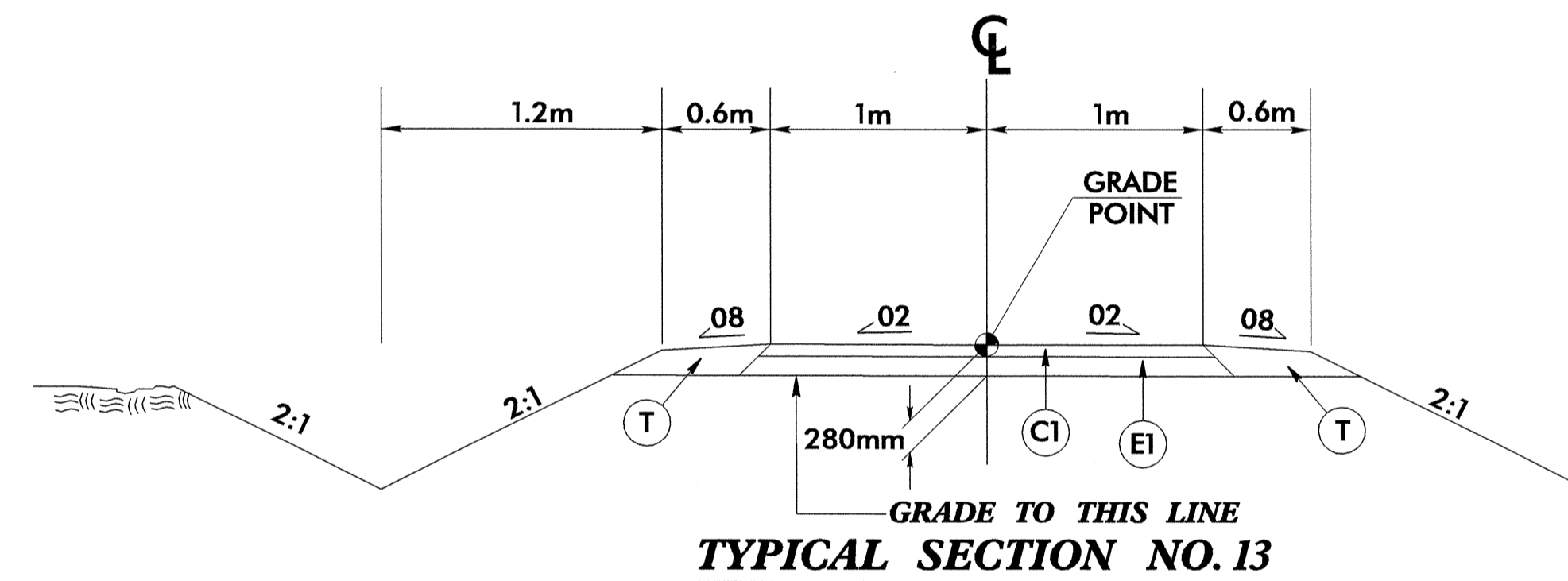
PROJECT REFERENCE NO.	SHEET NO.
U-2717	2-D
ROADWAY DESIGN ENGINEER	PAVEMENT DESIGN ENGINEER



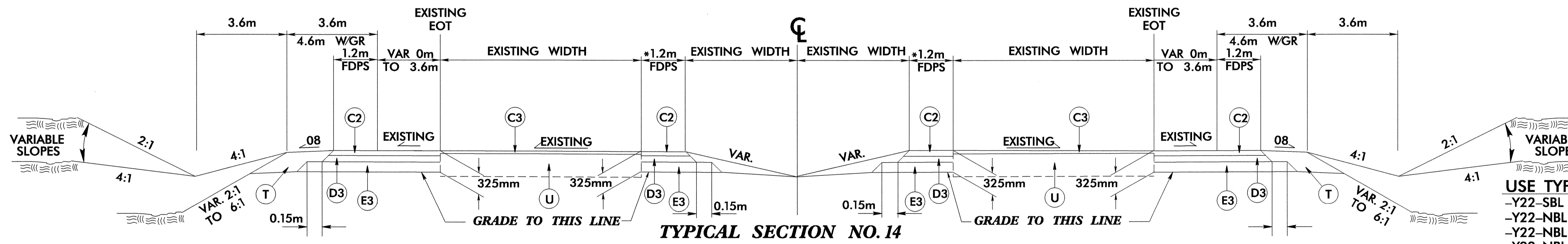
USE TYPICAL SECTION NO. 11 AS FOLLOWS:  
 -Y23- 12+10+/- TO 13+18.348



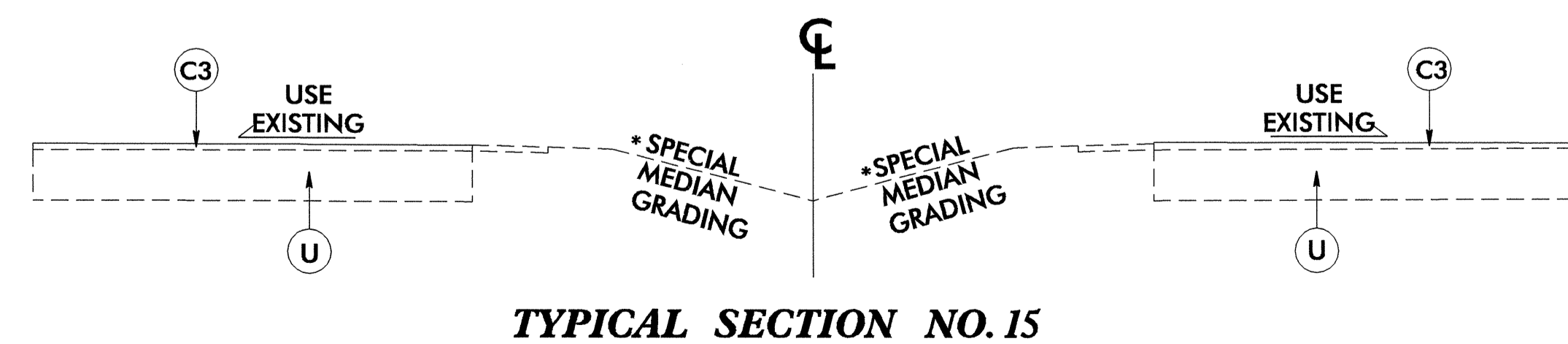
USE TYPICAL SECTION NO. 12 AS FOLLOWS:  
 -DR- 10+04.005 TO -DR- 11+97.846  
 -DR2- 10+23.615 TO -DR2- 10+60.000



USE TYPICAL SECTION NO. 13 AS FOLLOWS:  
 -DR3- 10+04.080 TO -DR3- 10+58.970



USE TYPICAL SECTION NO. 14 AS FOLLOWS:  
 -Y22-SBL STA 10+31.314 TO STA 12+11.314  
 -Y22-NBL STA 10+98.364 TO STA 11+70.364  
 -Y22-NBL STA 15+58.276 TO STA 17+77.128  
 -Y22-NBL STA 18+87.427 TO STA 20+67.429  
 -Y22-SBL STA 20+74.937 TO STA 21+64.937  
 \* -Y22-NBL STA 10+20+/- TO STA 22+20+/-  
 \* -Y22-SBL STA 10+20.000+/- TO STA 22+20+/-



USE TYPICAL SECTION NO. 15 AS FOLLOWS:  
 -Y22-SBL STA 10+00.000 TO 10+31.314  
 -Y22-SBL STA 12+11.314 TO 20+74.937  
 -Y22-SBL STA 21+64.937 TO 21+90.192  
 -Y22-NBL STA 10+00.000 TO 10+98.364  
 -Y22-NBL STA 11+70.364 TO 15+58.276  
 -Y22-NBL STA 17+77.128 TO 18+87.427  
 -Y22-NBL STA 20+67.429 TO 21+90.192

\*SPECIAL MEDIAN GRADING -Y22- STA 14+60 TO 15+20 (SEE XSC'S)

10-AUG-2004 08:46 2717-sup BWedeking AT 10196538