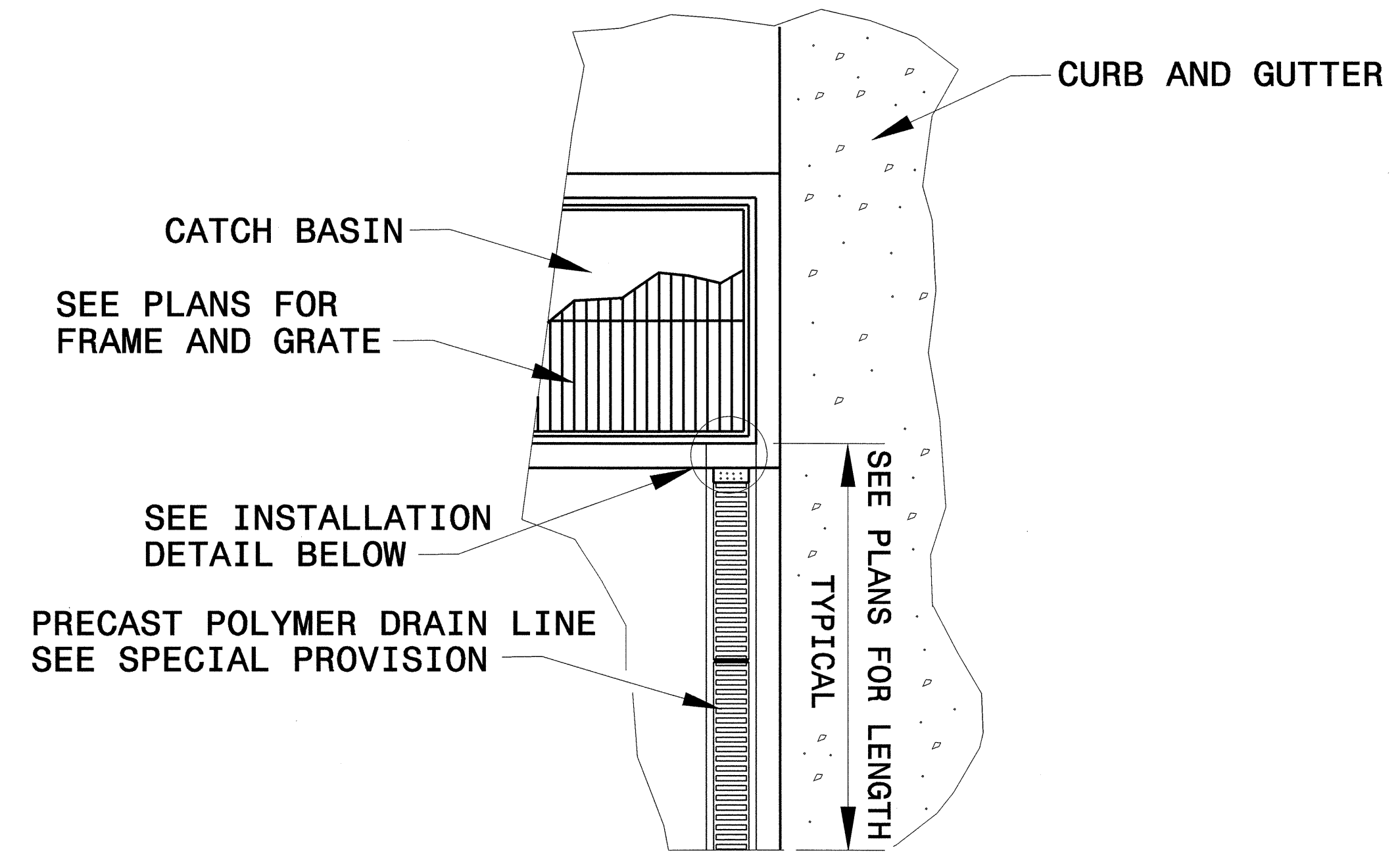
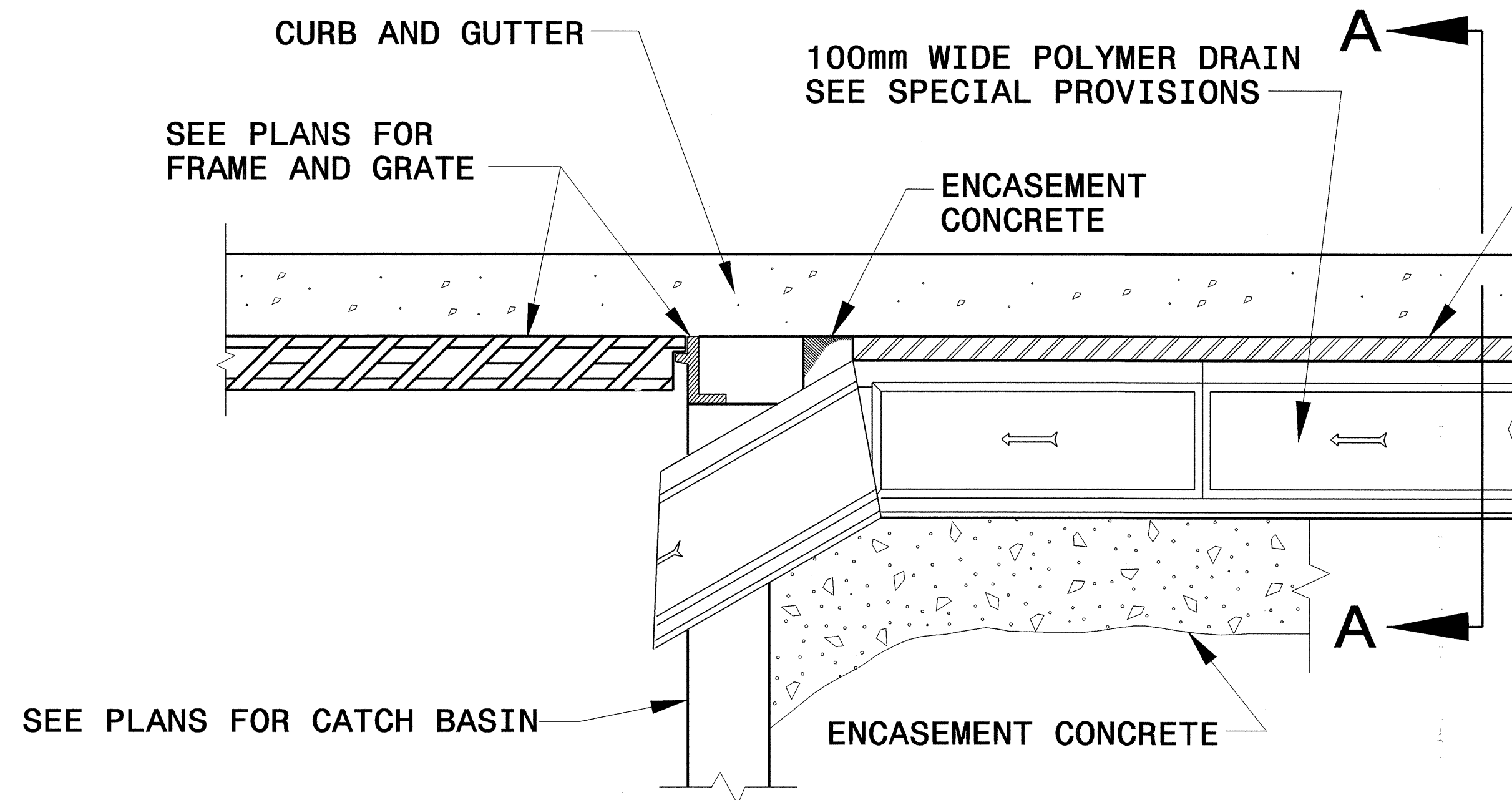


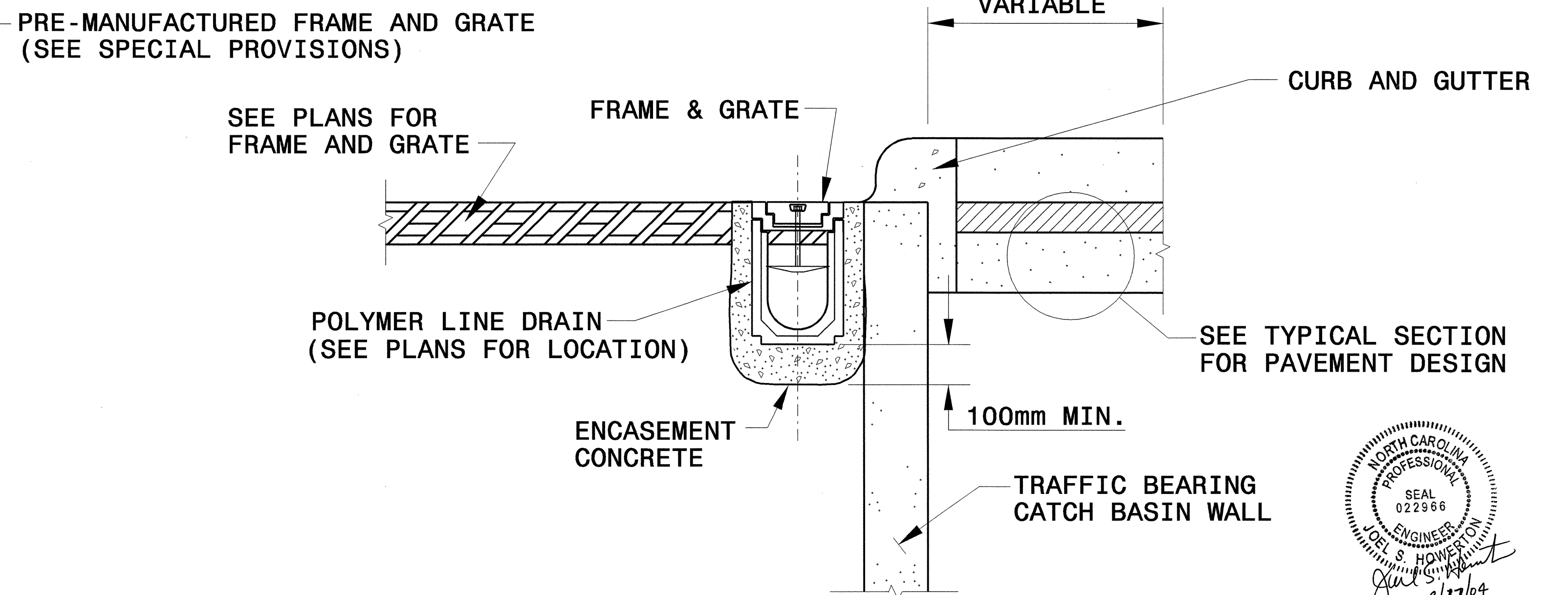
TOP VIEW



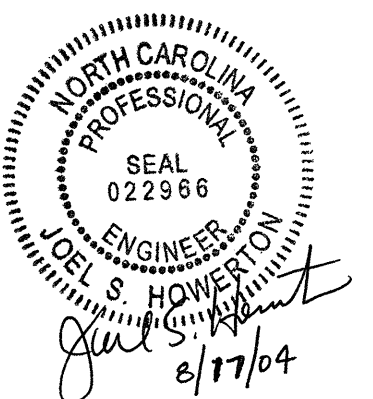
DETAIL OF POLYMER LINE DRAIN AND DROP INLET



INSTALLATION DETAIL



SECTION A-A



DESIGN SERVICES UNIT
 STANDARDS AND SPECIAL DESIGN
 Office 919-250-4128 FAX 919-250-4119

DETAIL OF POLYMER LINE DRAIN

ORIGINAL BY: nbritt DATE: 2-23-2004
 MODIFIED BY: nbritt DATE: 8/17
 CHECKED BY: nbritt DATE: 8/17
 FILE SPEC.: nbritt/details/metric/u2717siltok.dgn