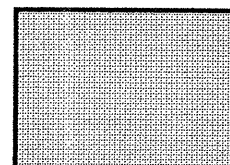
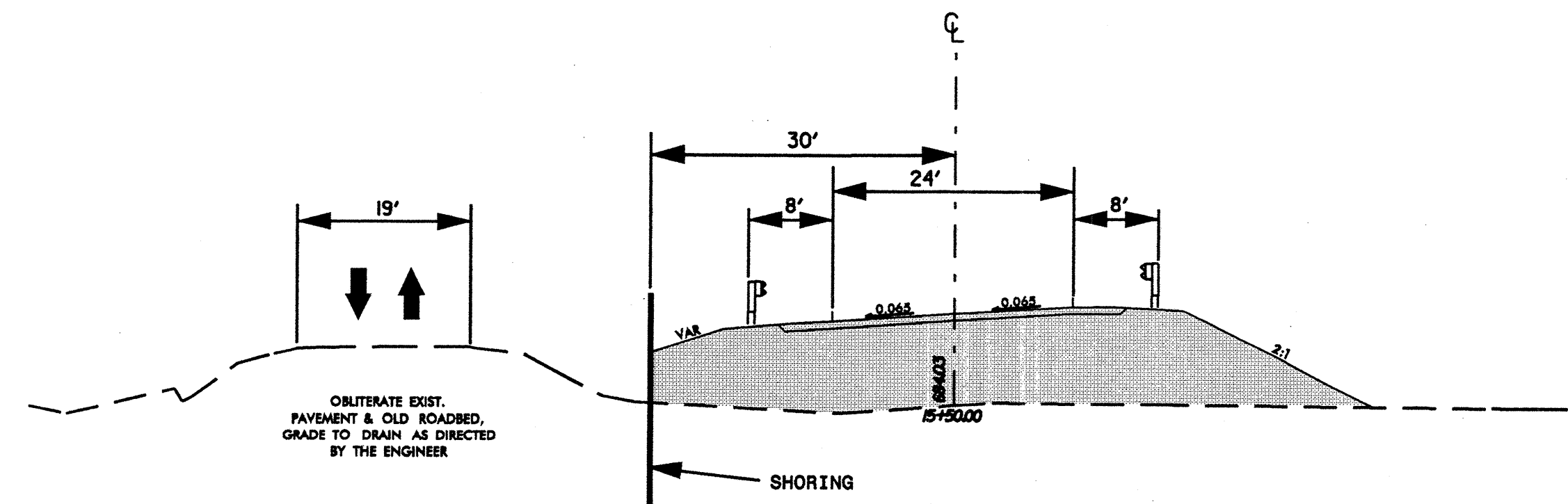


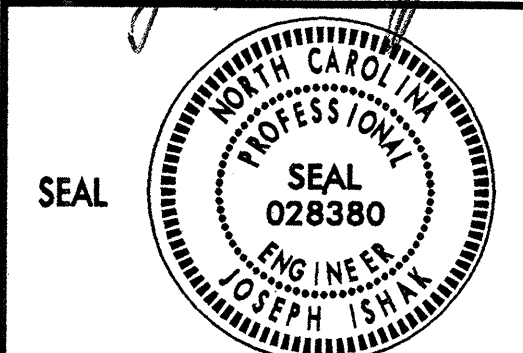
"TEMPORARY SHORING WILL BE REQUIRED FROM -L- STA. 15+37+/- TO STA. 15+63+/- AND FROM -L- STA. 15+96+/- TO STA. 16+22+/- FOR CONSTRUCTION OF CULVERT. FOR DESIGN OF TEMPORARY SHORING, USE THE FOLLOWING SOIL PARAMETERS: Y = 120 PCF ABOVE WATER TABLE, Y' = 60 PCF BELOW WATER TABLE, $\phi = 30^\circ$, AND C = 0 PSF"

A1 - A1'
15+50.00



PROPOSED CONSTRUCTION

APPROVED: *Joseph Ishak* DATE: 3/1/04



SCALE: NONE			REVISIONS	
DATE: 2/23/04				
DWG. BY: JLF				
DESIGN BY: JLF				
REVIEWED BY: JI				

05-MAR-2004 10:24
 L:\TCP\B3840\TC_Tcp3.dgn
 JFUTell AT EIC18798