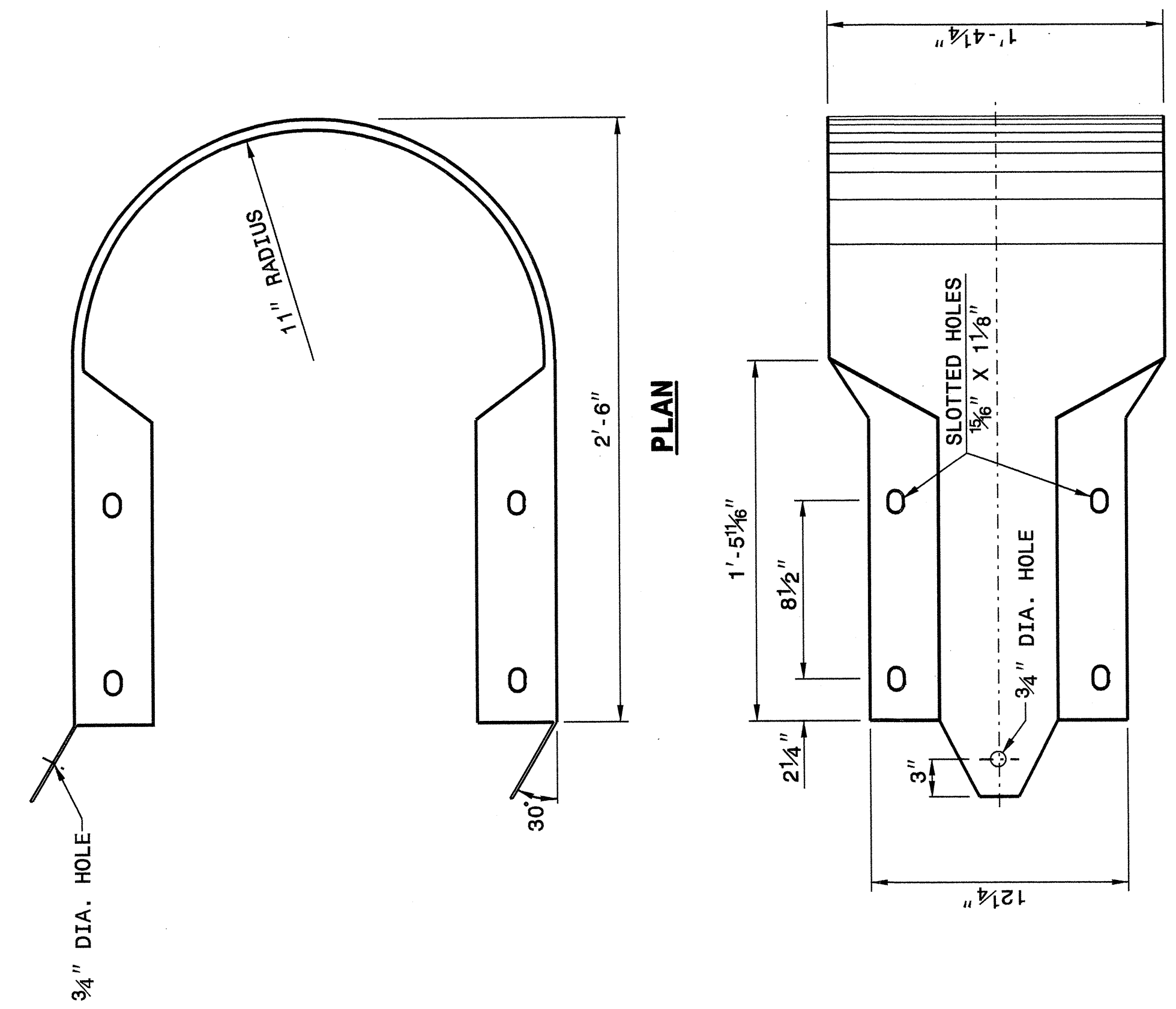


STATE OF  
NORTH CAROLINA  
DEPT. OF TRANSPORTATION  
DIVISION OF HIGHWAYS  
RALEIGH, N.C.

ENGLISH DETAIL DRAWING FOR  
GUARDRAIL INSTALLATION

SHEET 7 OF 7  
862D02



**ELEVATION**  
**BUFFERED END SECTION**

STATE OF  
NORTH CAROLINA  
DEPT. OF TRANSPORTATION  
DIVISION OF HIGHWAYS  
RALEIGH, N.C.

ENGLISH DETAIL DRAWING FOR  
GUARDRAIL INSTALLATION

SHEET 7 OF 7  
862D02



**DESIGN SERVICES UNIT**  
**STANDARDS AND SPECIAL DESIGN**  
Office 919-250-4128 FAX 919-250-4119

**SEE PLATE FOR TITLE**

ORIGINAL BY: 2002 STD.862.02 DATE:  
MODIFIED BY: E.E. WARD DATE: 02-09-03  
CHECKED BY: *Joel S. Howerton* DATE: 4-29-04  
FILE SPEC.: /usr/stds/02todetail/english/86202/862d02.dgn