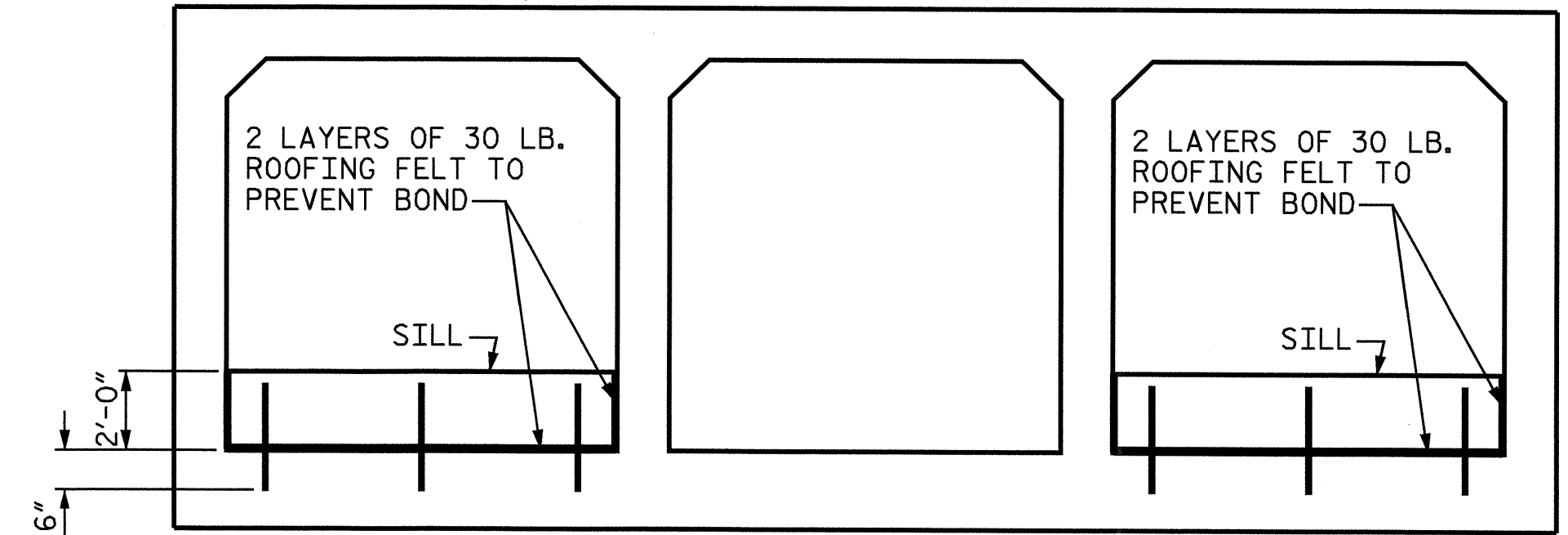
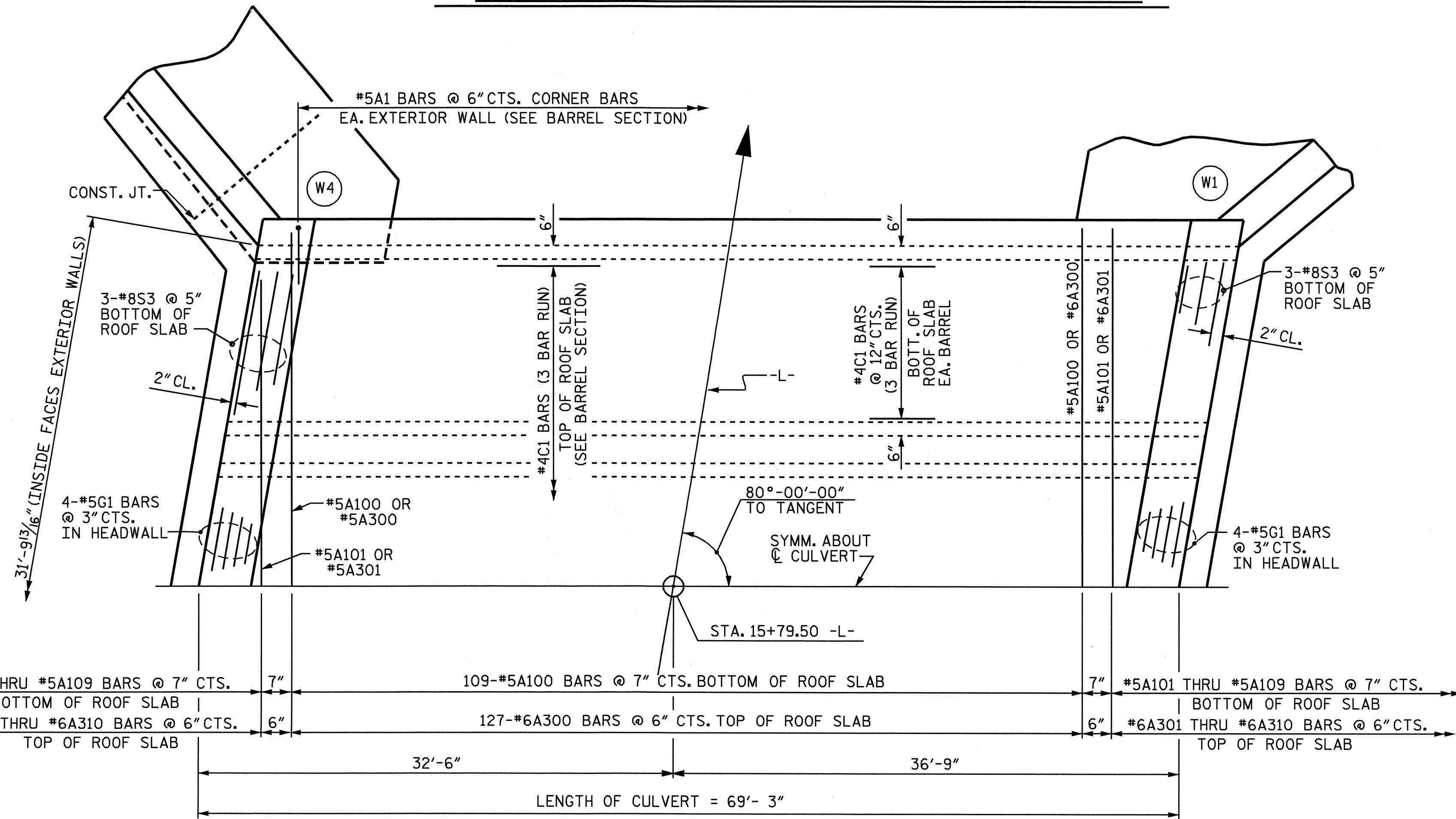


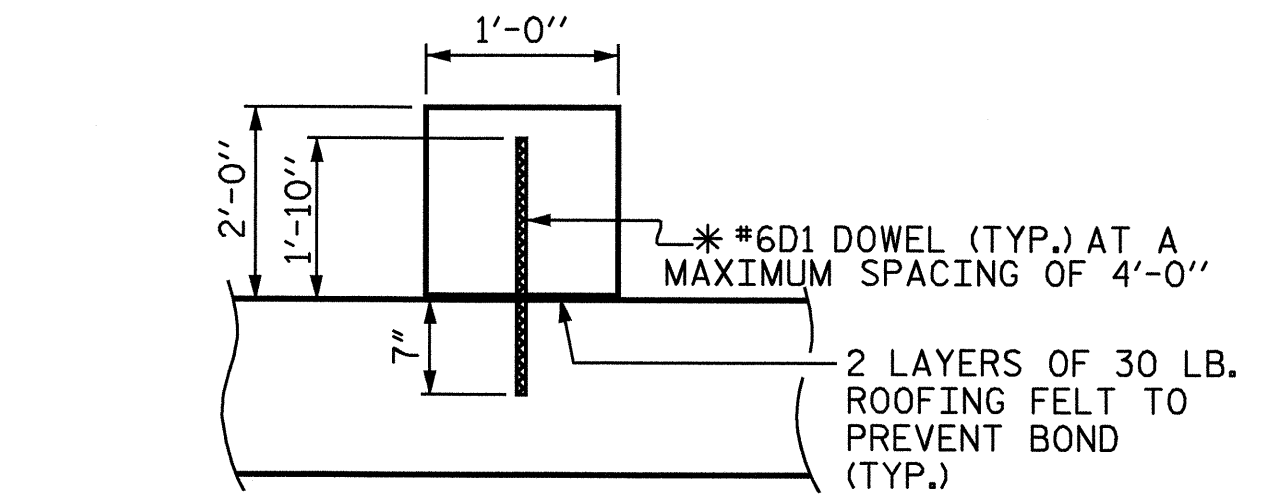
CULVERT SECTION NORMAL TO ROADWAY



ELEVATION
 CULVERT SILL DETAILS
 (INLET AND OUTLET END)



PART PLAN - ROOF SLAB



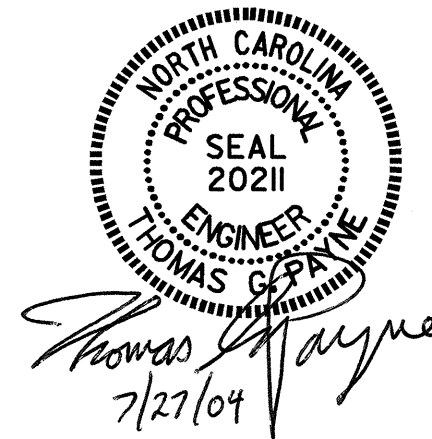
*DOWELS MAY BE PUSHED INTO GREEN CONCRETE AFTER SLAB HAS BEEN FLOAT FINISHED.

SECTION THROUGH SILL

PROJECT NO. B-3840
GASTON COUNTY
 STATION 15+79.50 -L-

SHEET 2 OF 5

STATE OF NORTH CAROLINA
 DEPARTMENT OF TRANSPORTATION
 RALEIGH
 TRIPLE
 10 FT. x 9 FT.
 CONCRETE BOX CULVERT
 80° SKEW



DRAWN BY: Keith D. Layne DATE: 12-10-02
 CHECKED BY: S. J. FORTIER DATE: 12-17-02

REVISIONS						SHEET NO.	
NO.	BY:	DATE:	NO.	BY:	DATE:	C-2	
1			3			TOTAL SHEETS	5
2			4				