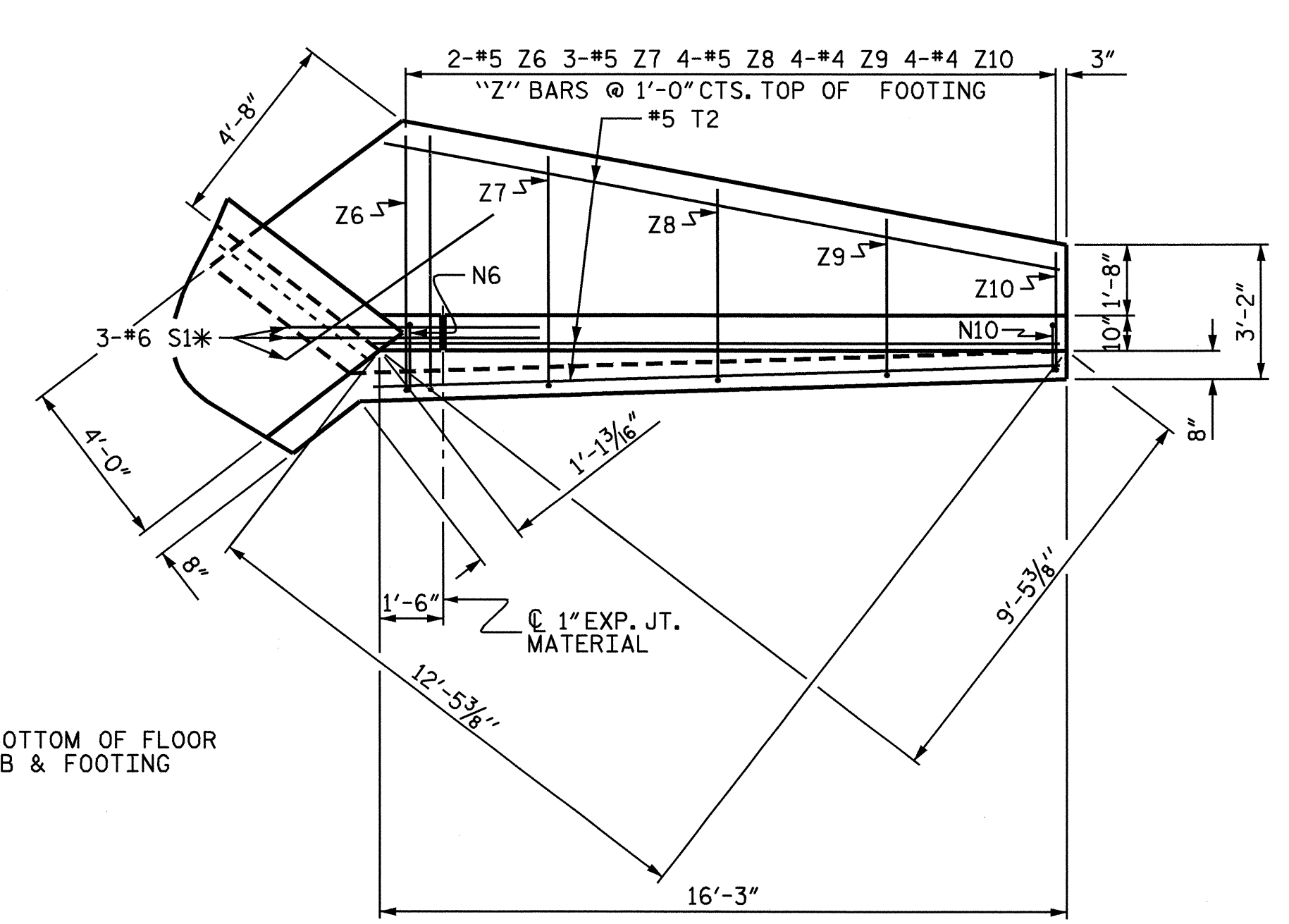
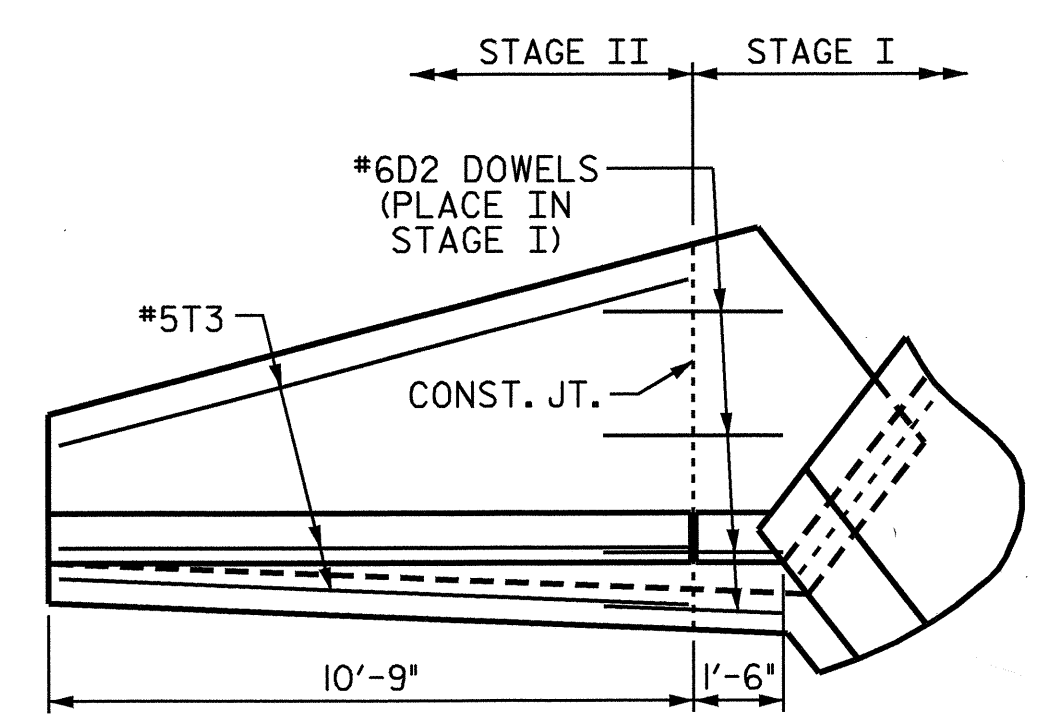


PLAN W2

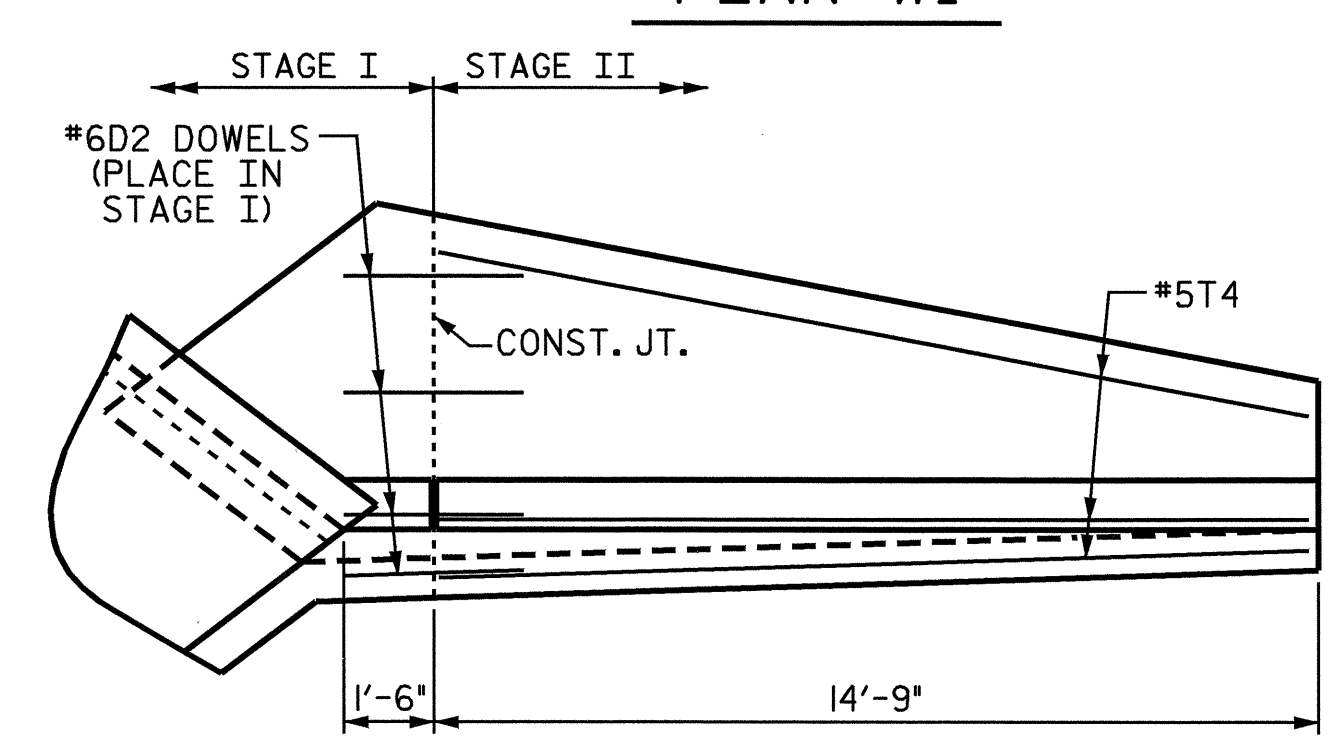


PLAN W1



PLAN W4

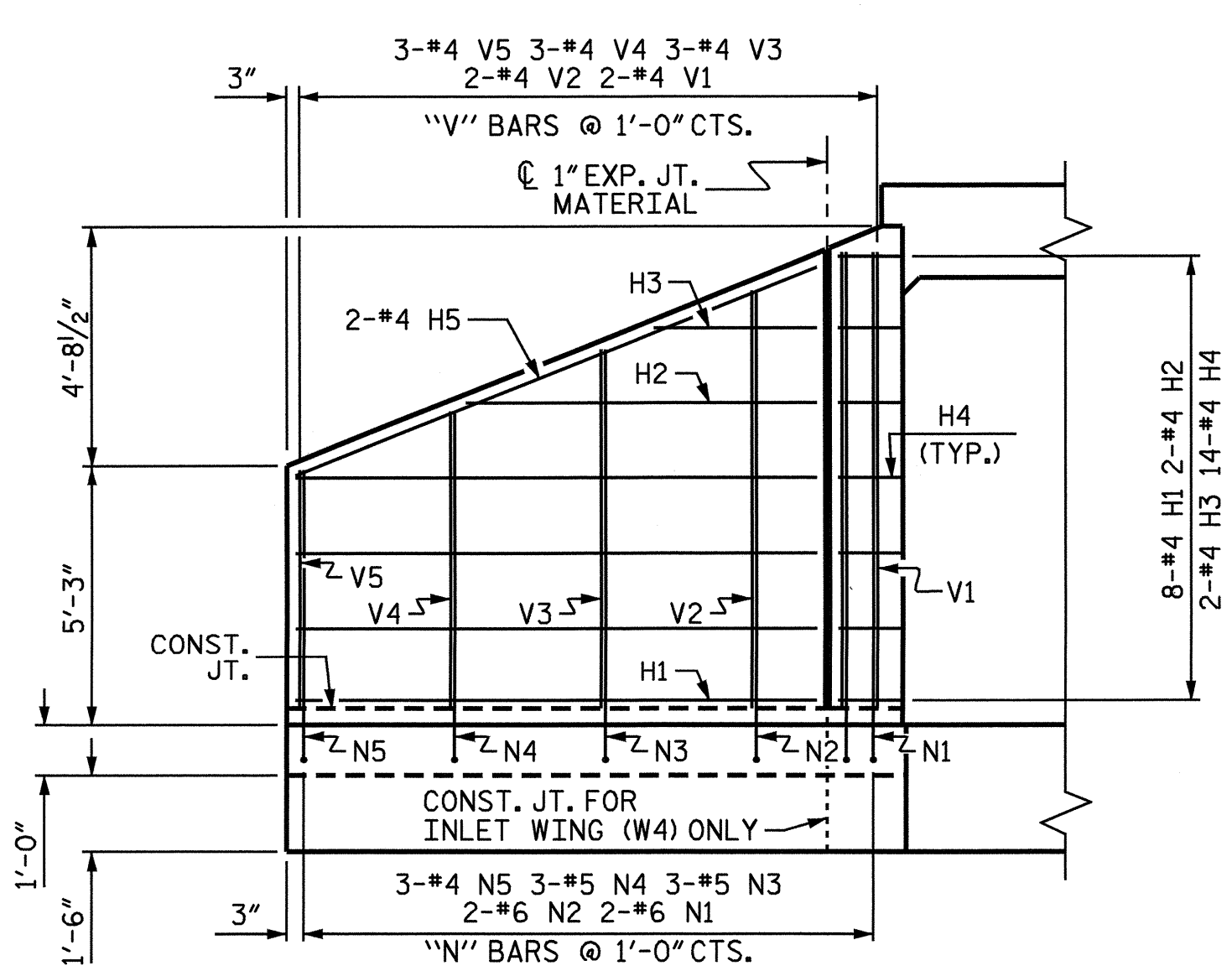
SIMILAR TO W2 EXCEPT AS SHOWN



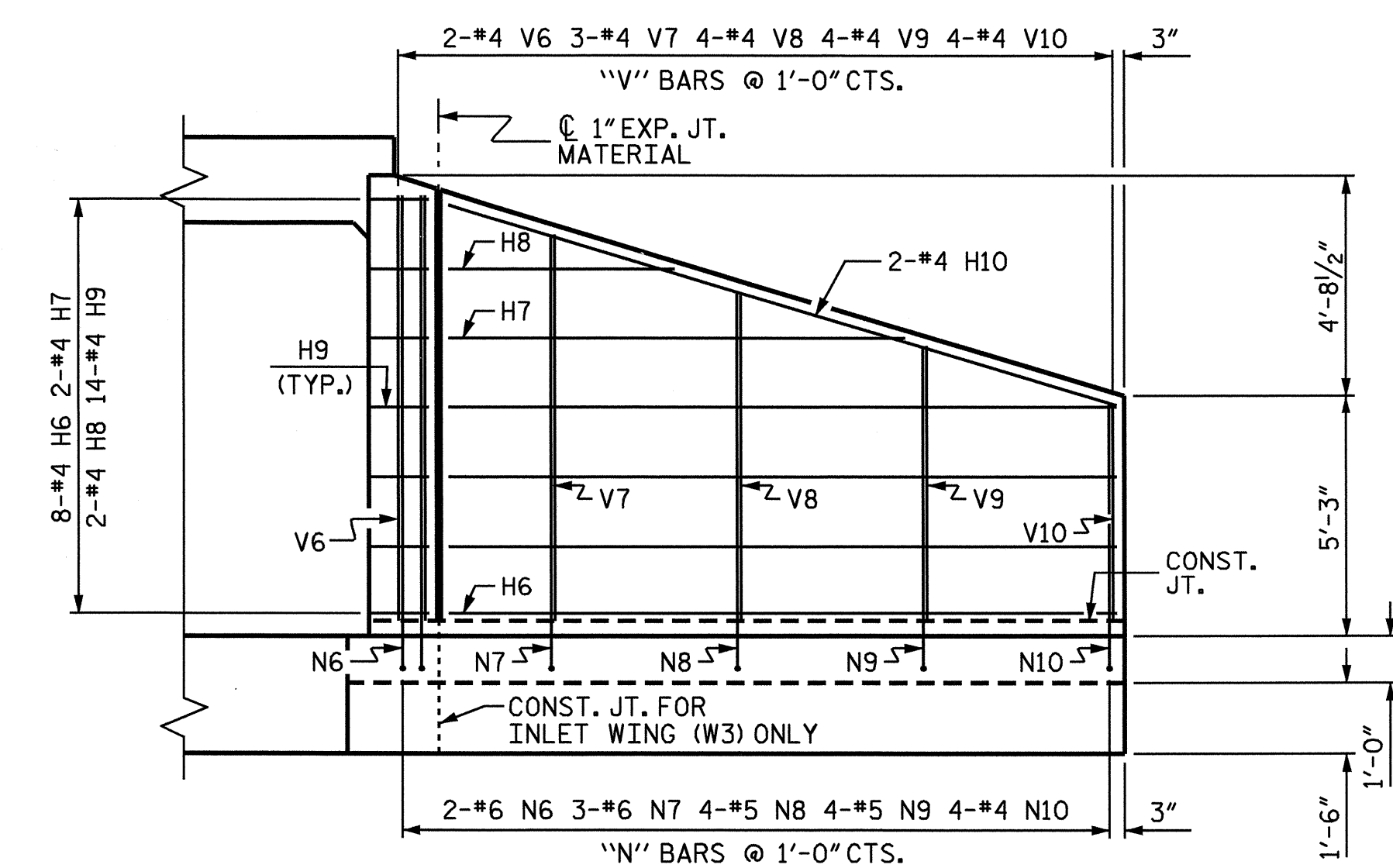
PLAN W3

SIMILAR TO W1 EXCEPT AS SHOWN

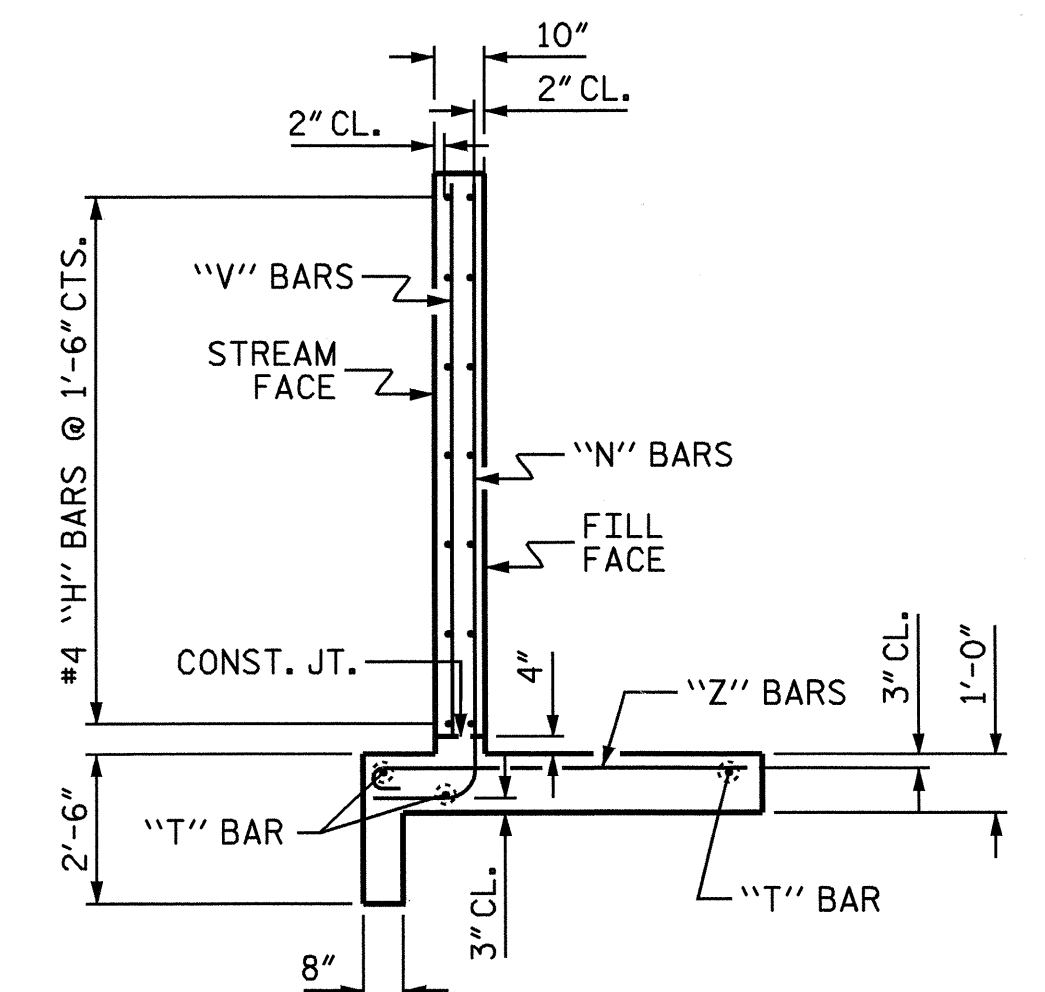
NOTE: WINGS W3 & W4 ARE STAGE CONSTRUCTED



ELEVATION W2 & W4



ELEVATION W1 & W3



TYPICAL WING SECTION

BAR TYPES

ALL BAR DIMENSIONS ARE OUT TO OUT.

BILL OF MATERIAL

BAR NO.	NO.	SIZE	TYPE	LENGTH	WEIGHT
D2	8	#6	STR.	3'-0"	36
H1	16	#4	STR	10'-4"	110
H2	4	#4	STR	6'-11"	18
H3	4	#4	STR	3'-3"	9
H4	28	#4	1	3'-3"	61
H5	4	#4	STR	11'-2"	30
H6	16	#4	STR	14'-4"	153
H7	4	#4	STR	9'-10"	26
H8	4	#4	STR	4'-10"	13
H9	28	#4	2	3'-3"	61
H10	4	#4	STR	15'-0"	40
N1	4	#6	3	11'-2"	67
N2	4	#6	3	10'-6"	63
N3	6	#5	3	9'-3"	58
N4	6	#5	3	8'-1"	51
N5	6	#4	3	6'-10"	27
N6	4	#6	3	11'-3"	68
N7	6	#6	3	10'-6"	95
N8	8	#5	3	9'-3"	77
N9	8	#5	3	8'-0"	67
N10	8	#4	3	6'-10"	37
S1	12	#6	STR	6'-0"	108
T1	3	#5	STR	12'-3"	38
T2	3	#5	STR	16'-3"	51
T3	3	#5	STR	10'-7"	33
T4	3	#5	STR	14'-7"	46
V1	4	#4	STR	9'-2"	24
V2	4	#4	STR	8'-5"	22
V3	6	#4	STR	7'-3"	29
V4	6	#4	STR	6'-0"	24
V5	6	#4	STR	4'-10"	19
V6	4	#4	STR	9'-3"	25
V7	6	#4	STR	8'-5"	34
V8	8	#4	STR	7'-2"	38
V9	8	#4	STR	6'-0"	32
V10	8	#4	STR	4'-9"	25
Z1	4	#5	4	6'-9"	28
Z2	4	#5	4	6'-2"	26
Z3	6	#5	4	5'-3"	33
Z4	6	#4	4	4'-3"	17
Z5	6	#4	4	3'-4"	13
Z6	4	#5	4	6'-8"	28
Z7	6	#5	4	6'-1"	38
Z8	8	#5	4	5'-2"	43
Z9	8	#4	4	4'-3"	23
Z10	8	#4	4	3'-4"	18

REINFORCING STEEL 1,982 LBS
 FOR 4 WINGS

CLASS A CONCRETE

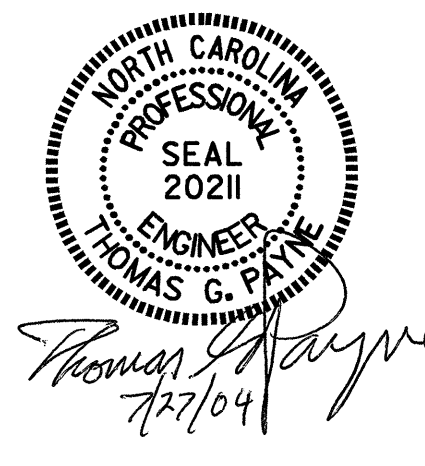
4 WINGS	27.7 CY
2 HEADWALLS	3.1 CY
2 END CURTAIN WALLS	3.7 CY
4 SILLS	3.0 CY
TOTAL	37.5 CY

PROJECT NO. B-3840
 GASTON COUNTY
 STATION 15+79.50 -L-

SHEET 5 OF 5

STATE OF NORTH CAROLINA
 DEPARTMENT OF TRANSPORTATION
 RALEIGH

WINGS FOR
 CONCRETE BOX CULVERT
 H = 9'-0" SLOPE = 2:1
 80° SKEW



DRAWN BY: Keith D. Layne DATE: 12-10-02
 CHECKED BY: S. J. FORTIER DATE: 12-17-02

REVISIONS

NO.	BY:	DATE:	NO.	BY:	DATE:
1			3		
2			4		

SHEET NO. C-5
 TOTAL SHEETS 5