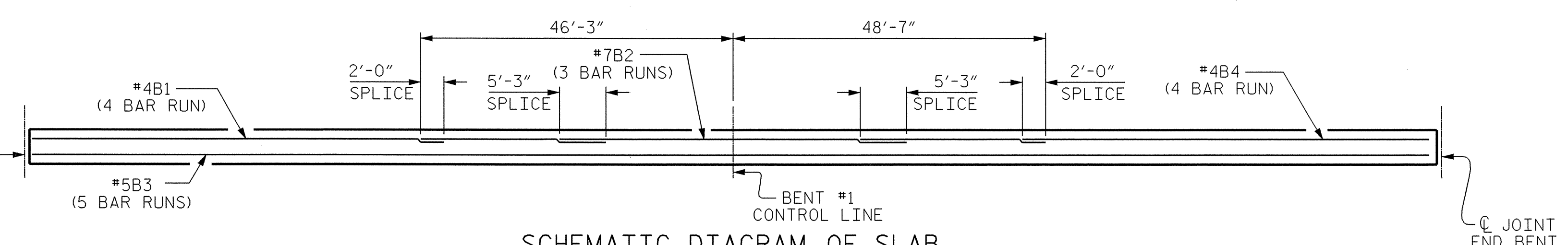
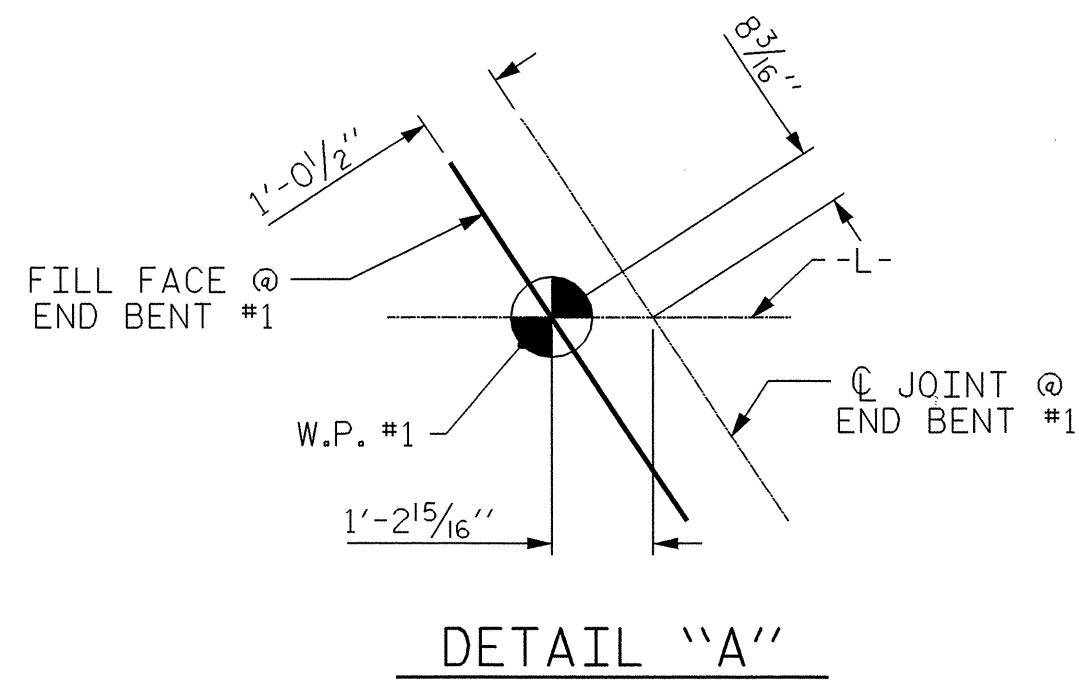


**PLAN OF SPAN A - STAGE 1**

FOR REINFORCING STEEL AND DETAILS IN SIDEWALK, SEE "SIDEWALK DETAILS" SHEET.  
 FOR TRANSVERSE CONSTRUCTION JOINT AND POUR SEQUENCE, SEE "SUPERSTRUCTURE BILL OF MATERIAL" SHEET.



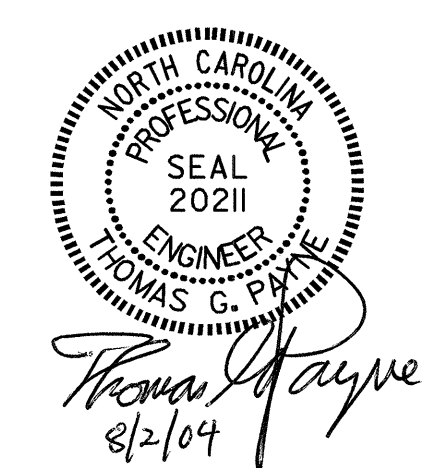
**SCHEMATIC DIAGRAM OF SLAB**



**DETAIL "A"**

PROJECT NO. I-2102  
 FORSYTH COUNTY  
 STATION: 20+71.54 -L-

SHEET 1 OF 4



STATE OF NORTH CAROLINA  
 DEPARTMENT OF TRANSPORTATION  
 RALEIGH

**SUPERSTRUCTURE  
 PLAN OF SPAN A  
 (STAGE 1)**

REVISIONS						SHEET NO.	
NO.	BY:	DATE:	NO.	BY:	DATE:	S-7	
1			3			TOTAL SHEETS	
2			4			51	

DRAWN BY: J.P. ADAMS DATE: 8/18/03  
 CHECKED BY: S.H. SOCKWELL DATE: 10/2/03