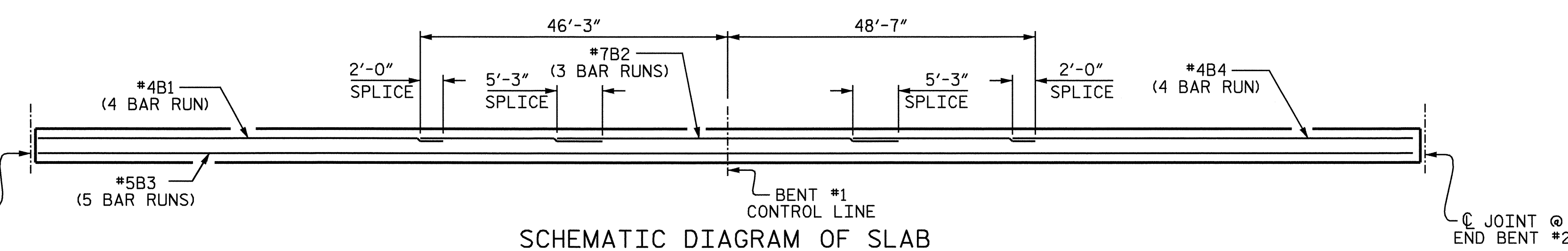
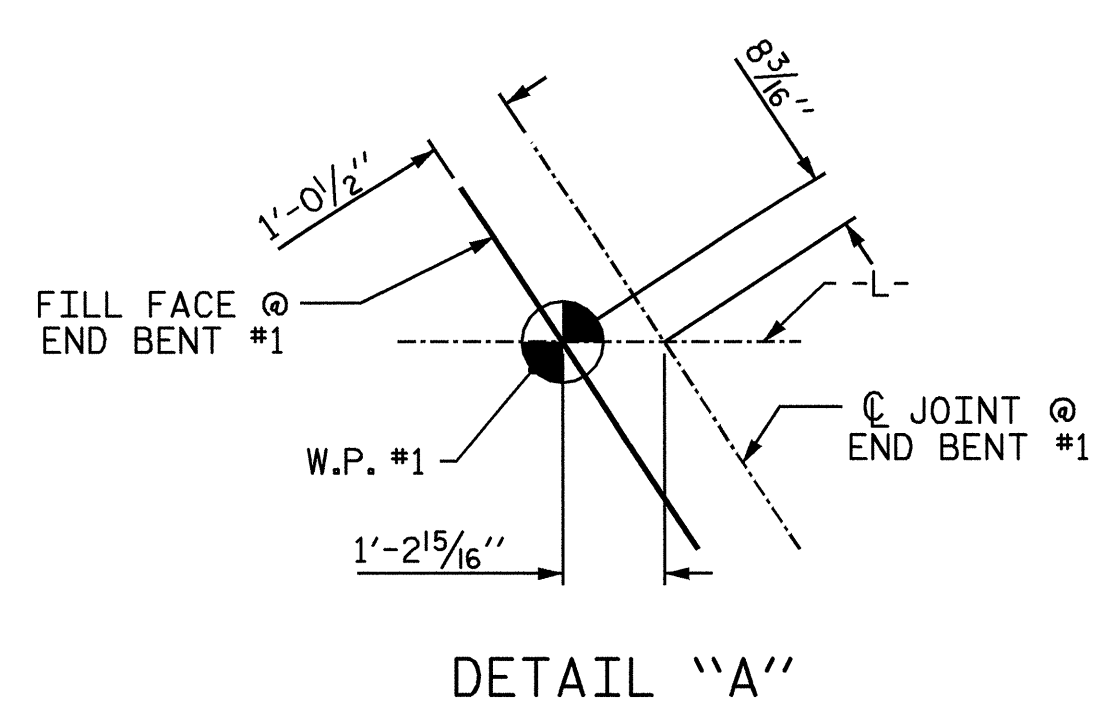


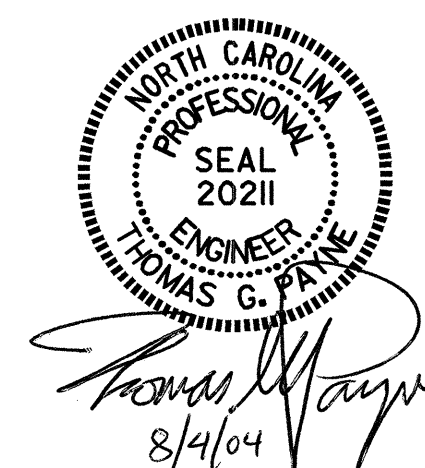
**PLAN OF SPAN A - STAGE 2**

FOR REINFORCING STEEL AND DETAILS IN PARAPET, SEE "CONCRETE PARAPET AND END POST DETAILS" SHEET. FOR TRANSVERSE CONSTRUCTION JOINT AND POUR SEQUENCE, SEE "SUPERSTRUCTURE BILL OF MATERIAL" SHEET.



PROJECT NO. I-2102  
 FORSYTH COUNTY  
 STATION: 20+71.54 -L-

SHEET 3 OF 4



STATE OF NORTH CAROLINA  
 DEPARTMENT OF TRANSPORTATION  
 RALEIGH  
 SUPERSTRUCTURE  
 PLAN OF SPAN A  
 (STAGE 2)

DRAWN BY: J.P. ADAMS DATE: 8/18/03  
 CHECKED BY: S.H. SOCKWELL DATE: 10/2/03

REVISIONS						SHEET NO. <b>S-9</b>
NO.	BY:	DATE:	NO.	BY:	DATE:	
1			3			TOTAL SHEETS <b>51</b>
2			4			