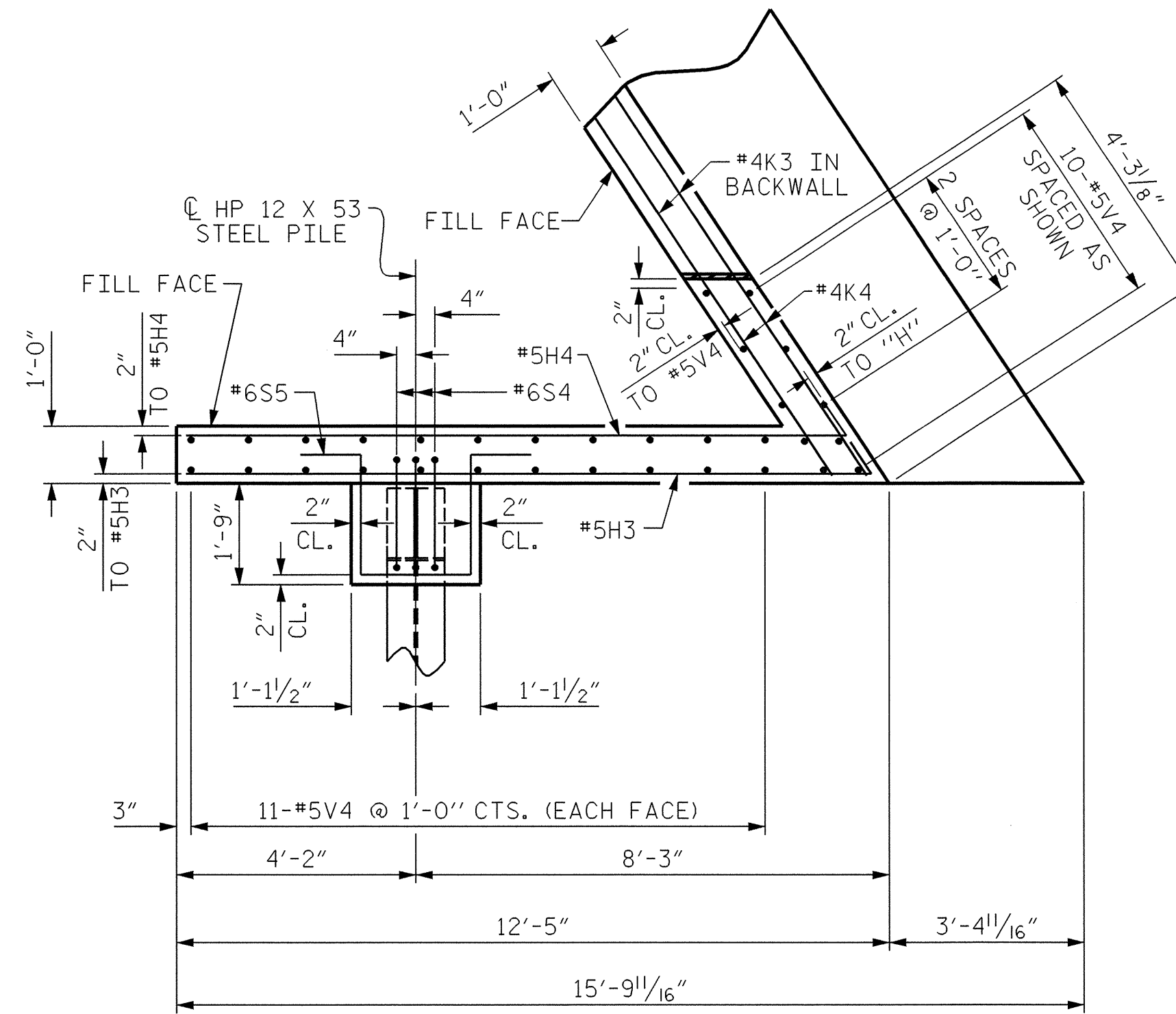
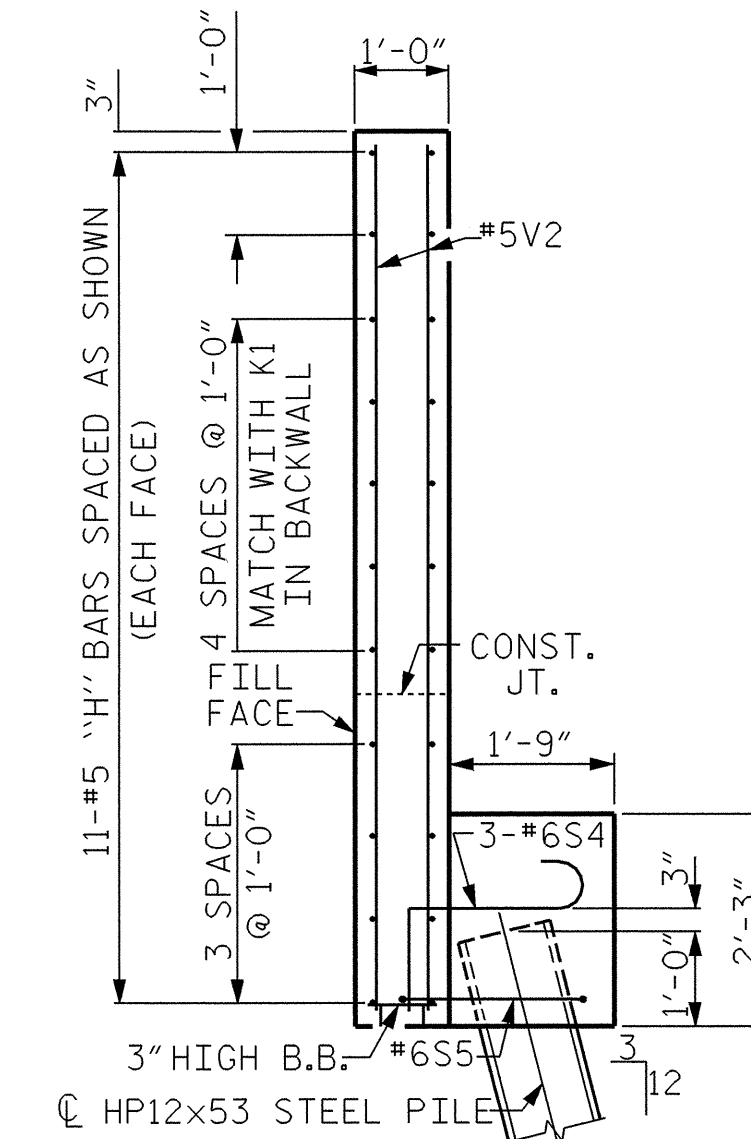


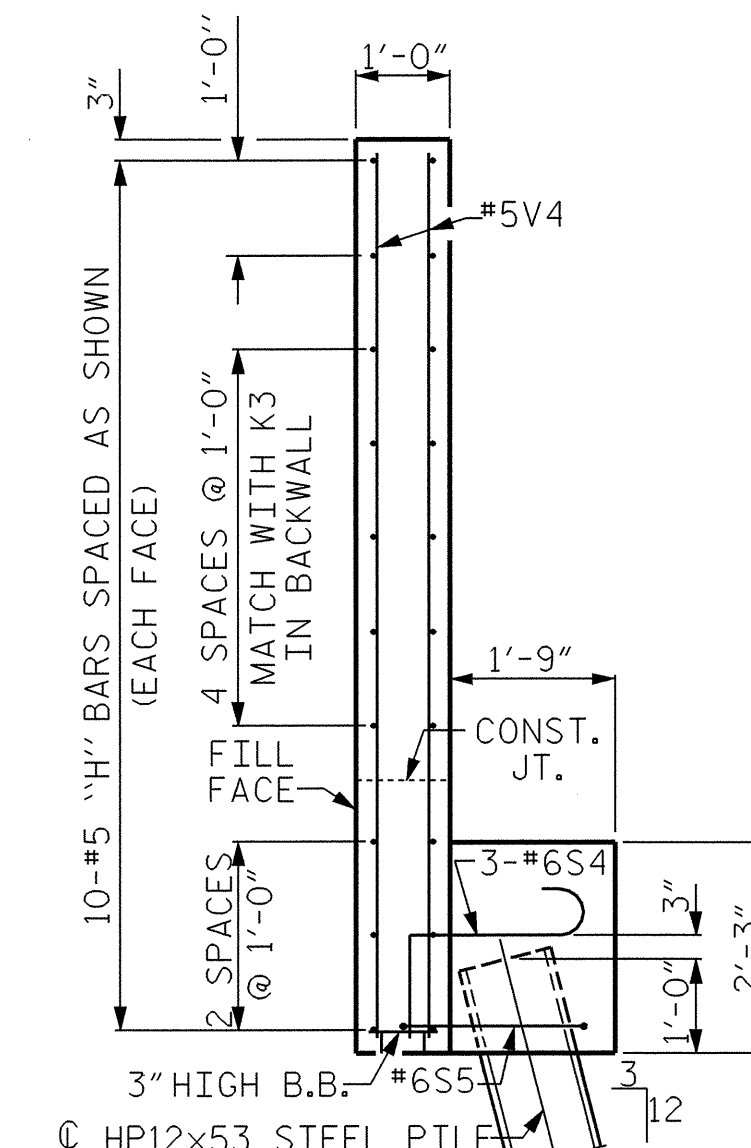
PLAN OF WING - (W1)
(STAGE 1)



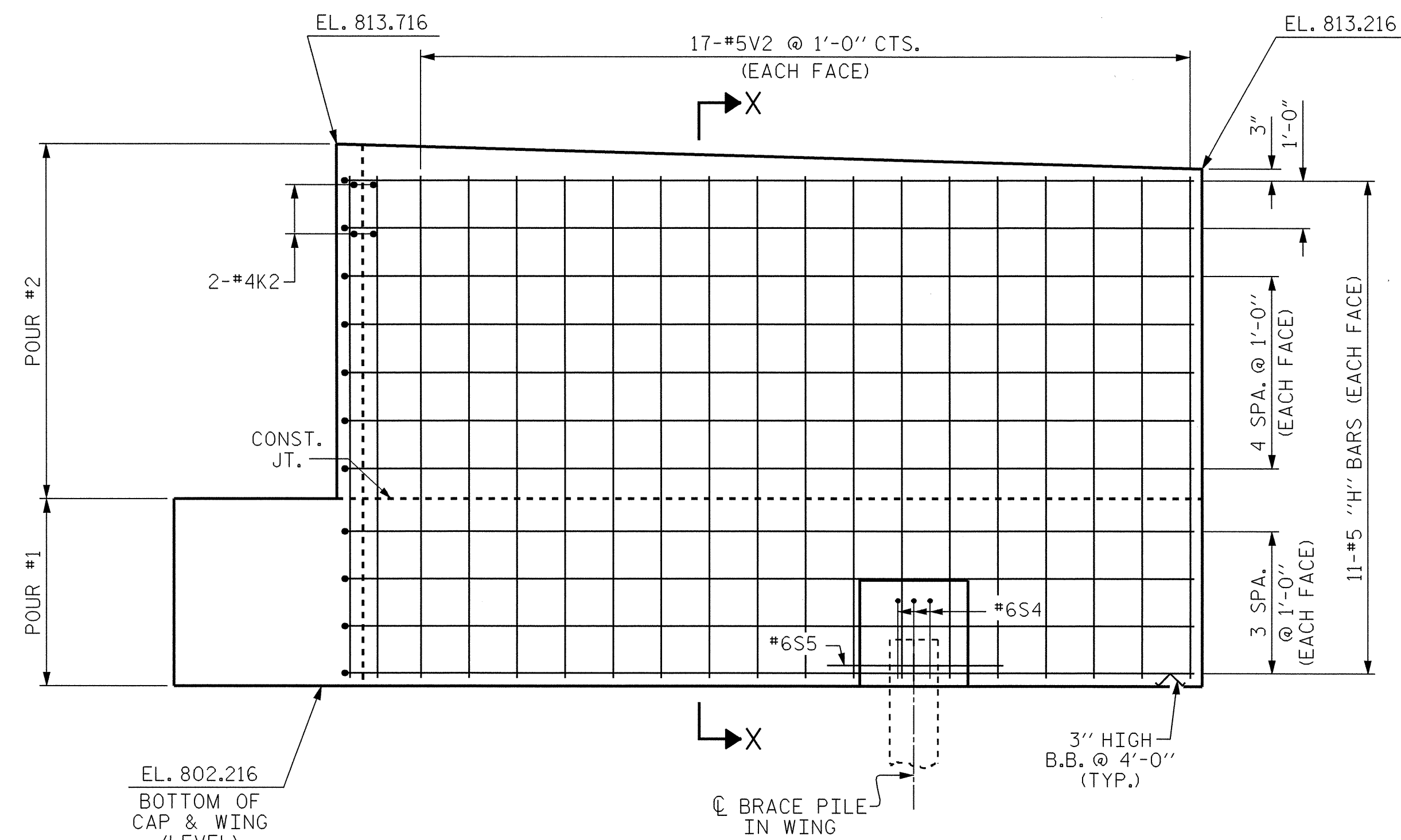
PLAN OF WING - (W2)
(STAGE 2)



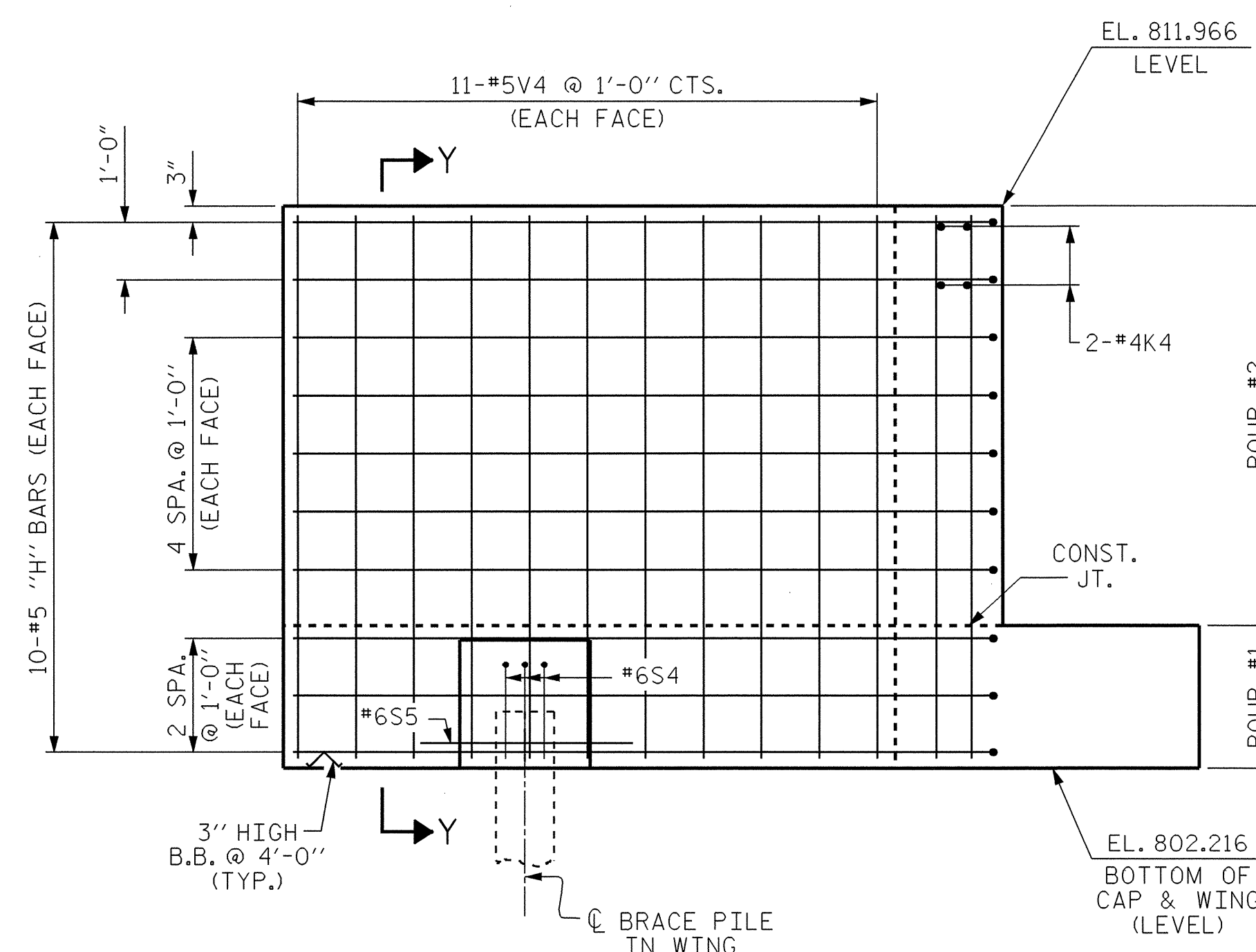
SECTION X-X



SECTION Y-Y



ELEVATION OF WING - (W1)
(STAGE 1)



ELEVATION OF WING - (W2)
(STAGE 2)

PROJECT NO. I-2102
 FORSYTH COUNTY
 STATION: 20+71.54 -L-

SHEET 3 OF 5



STATE OF NORTH CAROLINA
 DEPARTMENT OF TRANSPORTATION
 RALEIGH

SUBSTRUCTURE
 END BENT #1

(STAGE 1 AND 2)

REVISIONS						SHEET NO.	
NO.	BY:	DATE:	NO.	BY:	DATE:	S-34	
1			3			TOTAL SHEETS	
2			4			51	

DRAWN BY: J.P. ADAMS DATE: 1/30/04
 CHECKED BY: H.A. LOCKLEAR DATE: 5/04