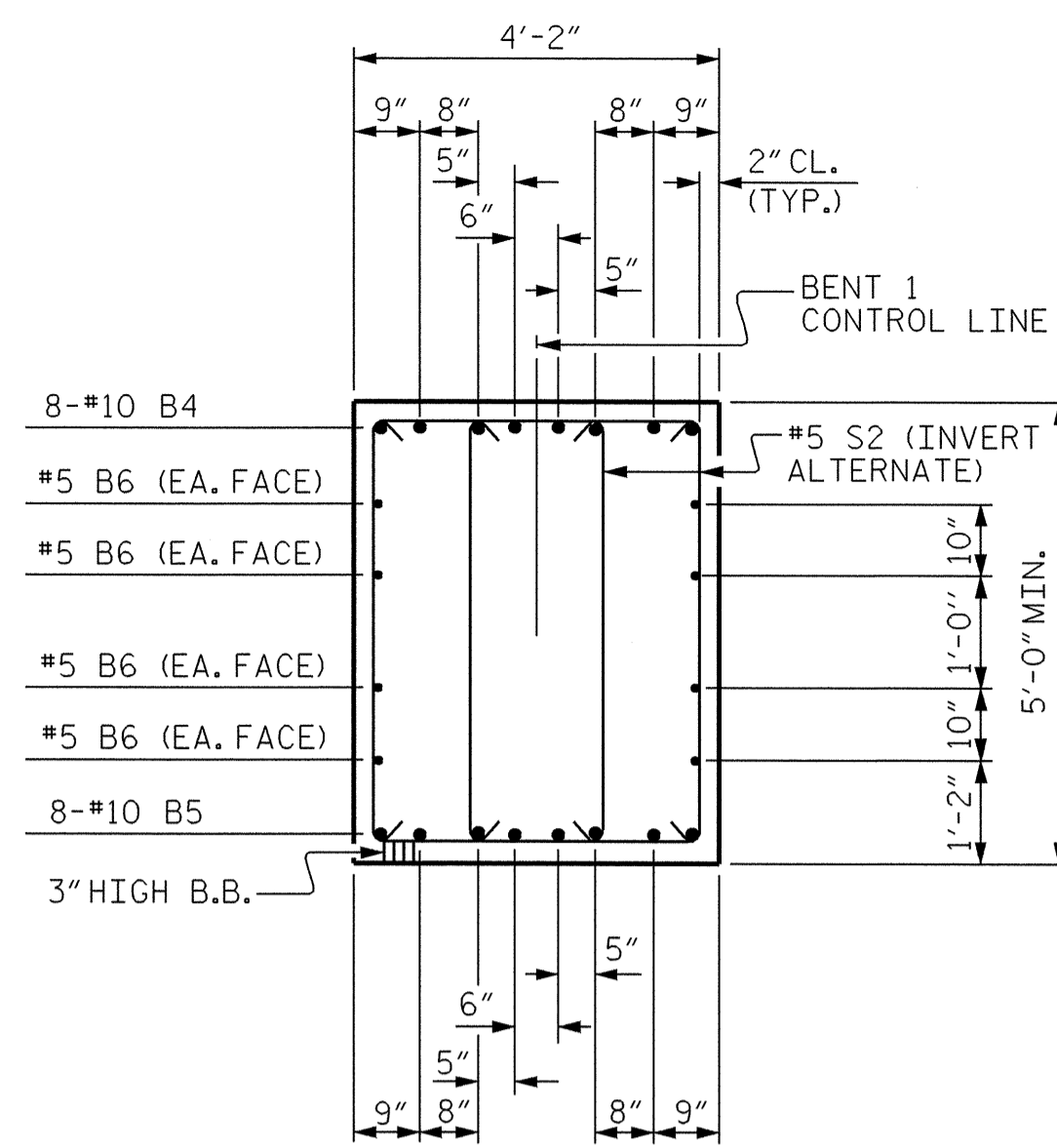
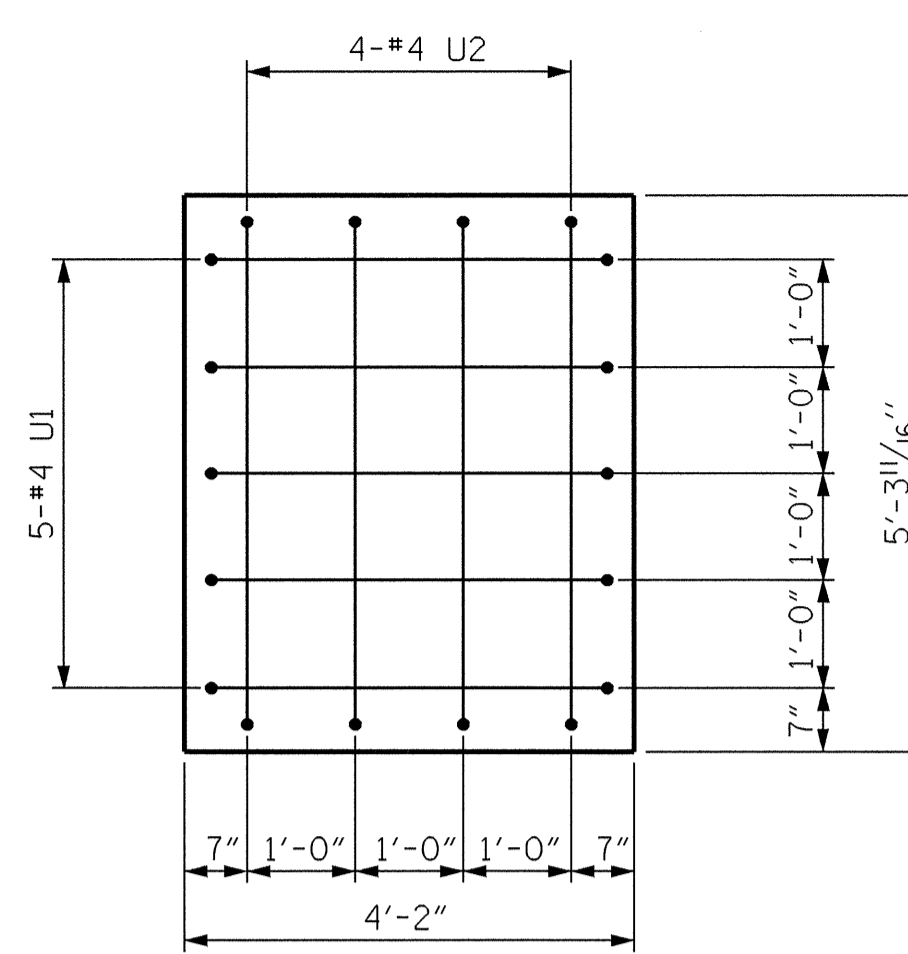


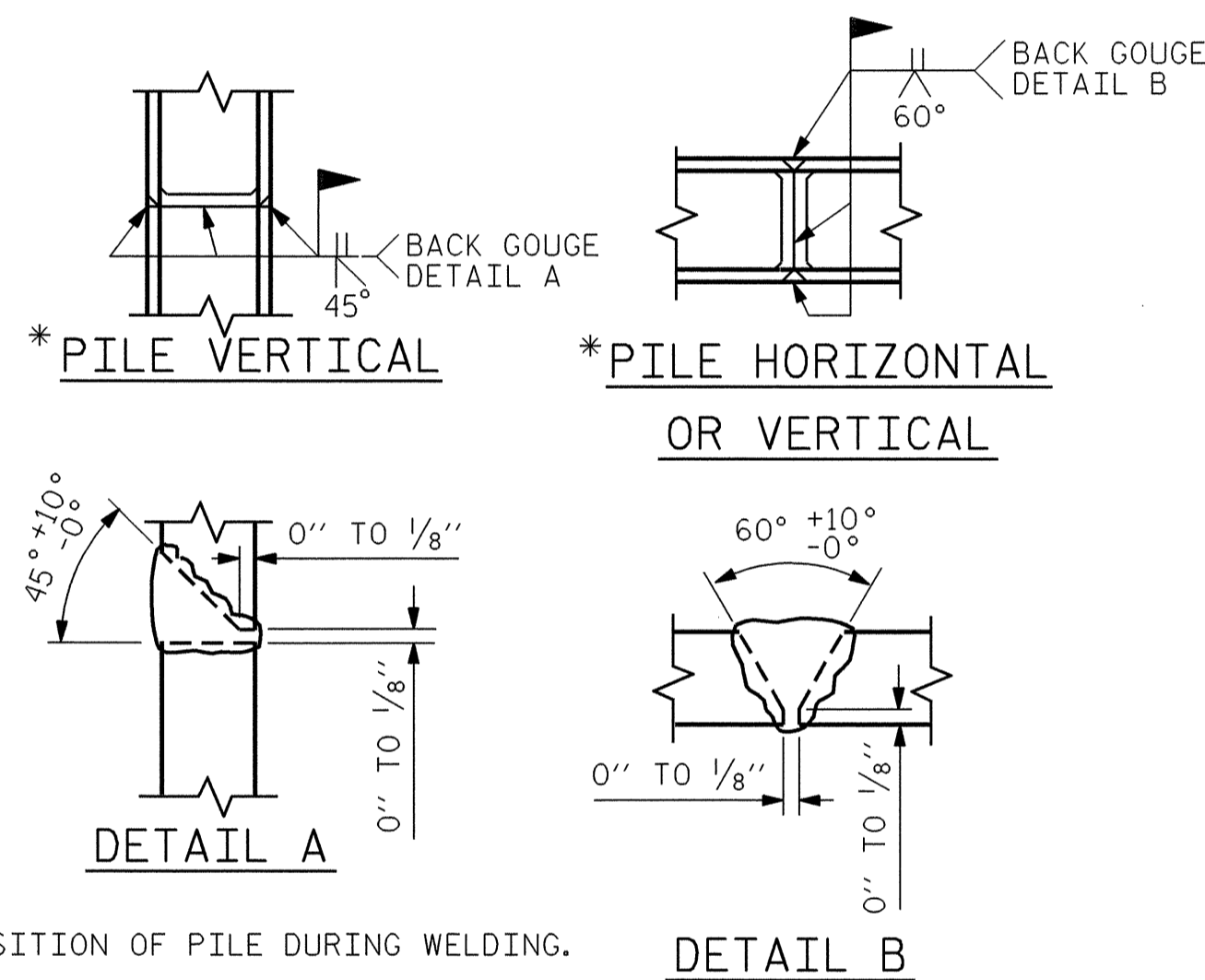
SECTION C-C



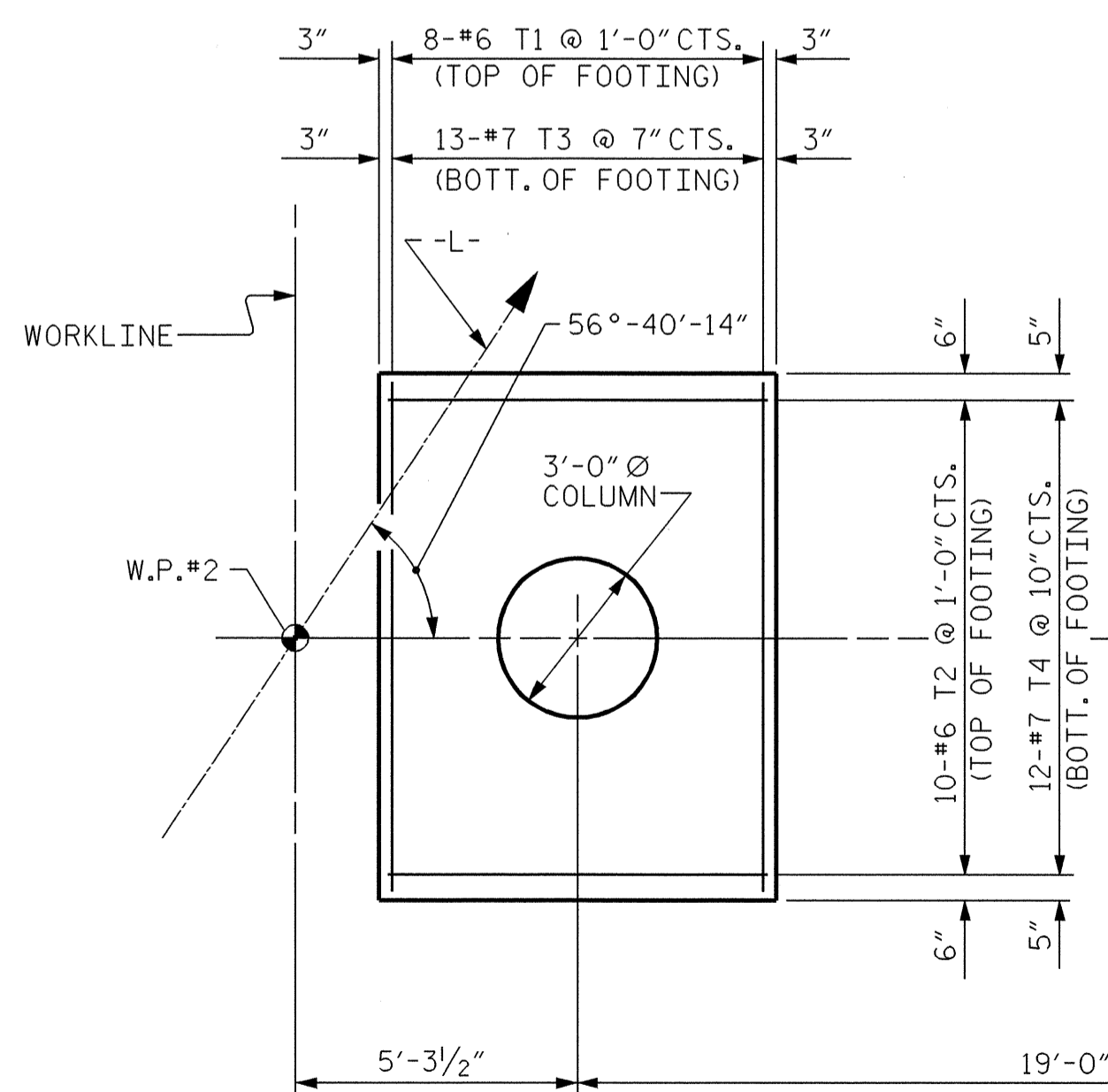
SECTION D-D



VIEW Y-Y

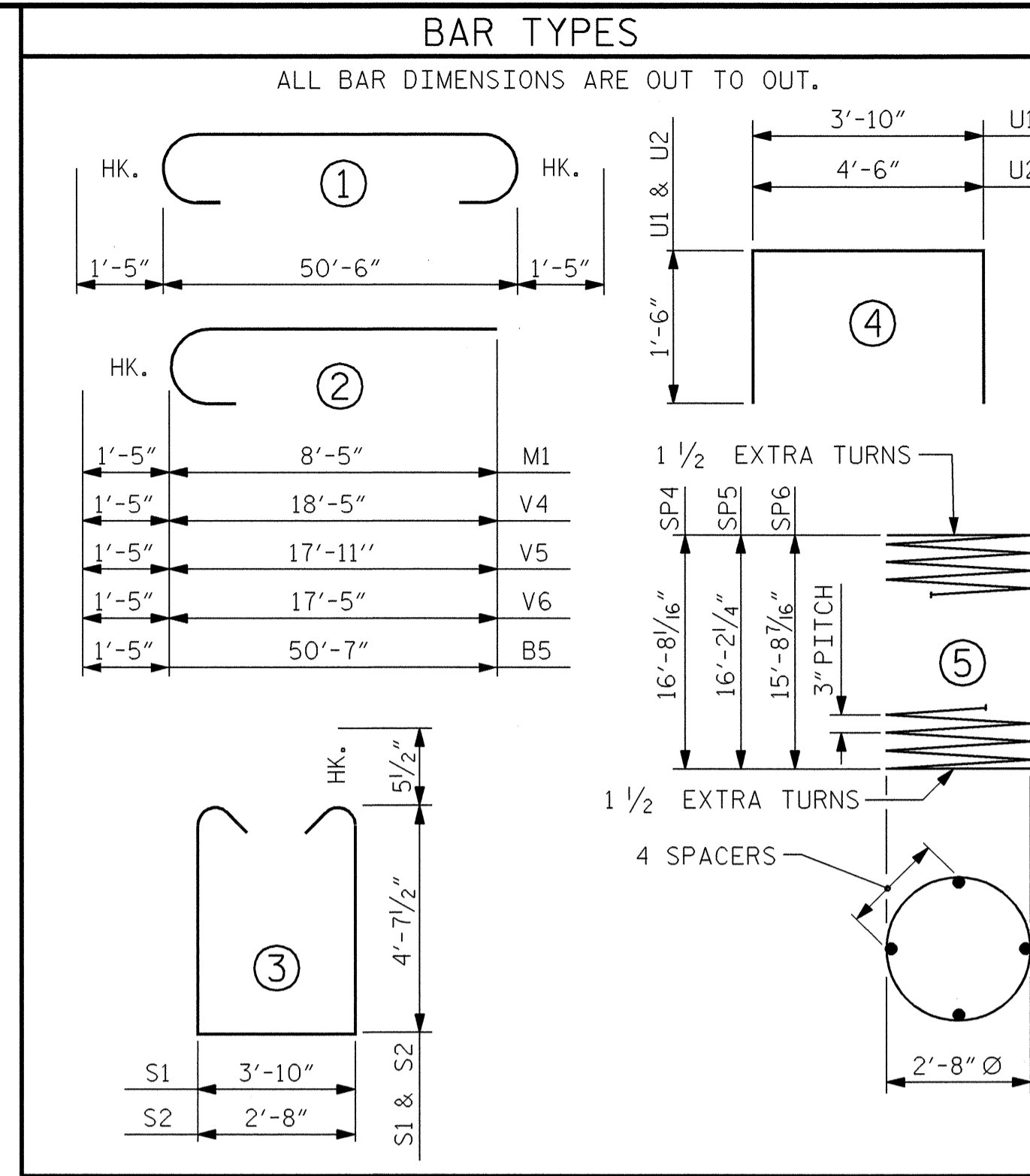


PILE SPlice DETAILS



PLAN OF FOOTINGS & COLUMNS

REINFORCING STEEL, DIMENSIONS AND DETAILS ARE TYPICAL FOR EACH COLUMN AND FOOTING UNLESS OTHERWISE NOTED.



NOTES :

STIRRUPS IN CAP MAY BE SHIFED AS NECESSARY TO CLEAR ANCHOR BOLTS.  
 HOOKS ON "V" BARS MAY BE TURNED AS NECESSARY FOR PLACING REINFORCING STEEL.  
 FOR SPIRAL COLUMN REINFORCING STEEL, SEE SPECIAL PROVISIONS.

	STAGE I	STAGE II	TOTAL
REINFORCING STEEL (LBS.)	14744	14214	28958
SPIRAL COLUMN REINFORCING STEEL (LBS.)	1208	1119	2327
CLASS A CONCRETE (C.Y.)	83.6	82.7	166.3
HP 12 X 53 STEEL PILES	NO.	33	66
	LIN. FT.	1815	3630

BILL OF MATERIAL

BENT 1 - STAGE II

BAR	NO.	SIZE	TYPE	LENGTH	WEIGHT
B4	8	#10	1	53'-4"	1836
B5	8	#10	2	52'-0"	1790
B6	8	#5	STR	50'-8"	423
M1	54	#10	2	9'-10"	2285
S1	61	#5	3	14'-0"	891
S2	26	#5	3	12'-10"	348
T1	24	#6	STR	9'-8"	348
T2	30	#6	STR	7'-2"	323
T3	39	#7	STR	9'-8"	771
T4	36	#7	STR	7'-2"	527
U1	35	#4	4	6'-10"	160
U2	4	#4	4	7'-6"	20
V4	18	#10	2	19'-10"	1536
V5	18	#10	2	19'-4"	1497
V6	18	#10	2	18'-10"	1459

REINFORCING STEEL = 14214 LBS					
SP4	1	**	5	574'-6"	384
SP5	1	**	5	558'-6"	373
SP6	1	**	5	542'-6"	362

SPIRAL COLUMN REINFORCING STEEL ("SP") = 1119 LBS

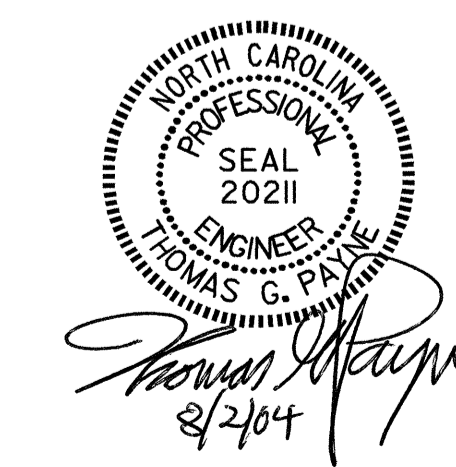
CLASS A CONCRETE BREAKDOWN :		
POUR #1 (FOOTINGS)		29.2 C.Y.
POUR #2 (COLUMNS)		12.5 C.Y.
POUR #3 (CAP)		41.0 C.Y.
<b>TOTAL CLASS A CONCRETE</b>		<b>82.7 C.Y.</b>

HP 12 X 53 STEEL PILES  
 No. 33 LIN. FT. 1,815

\*\* THE SP4, SP5 & SP6 SPIRAL REINFORCING STEEL SHALL BE W20 OR D-20 COLD DRAWN WIRE OR #4 PLAIN OR DEFORMED BAR.

PROJECT NO. I-2102  
 FORSYTH COUNTY  
 STATION: 20+71.54 -L-

SHEET 4 OF 4



STATE OF NORTH CAROLINA  
 DEPARTMENT OF TRANSPORTATION  
 RALEIGH  
 SUBSTRUCTURE  
 BENT 1  
 STAGE II

REVISIONS						SHEET NO.
NO.	BY:	DATE:	NO.	BY:	DATE:	S-40
1			3			TOTAL SHEETS
2			4			51

DRAWN BY : A.R.CHESSON/JPA DATE : 3-04  
 CHECKED BY : A.K. PATEL DATE : 3-23-04