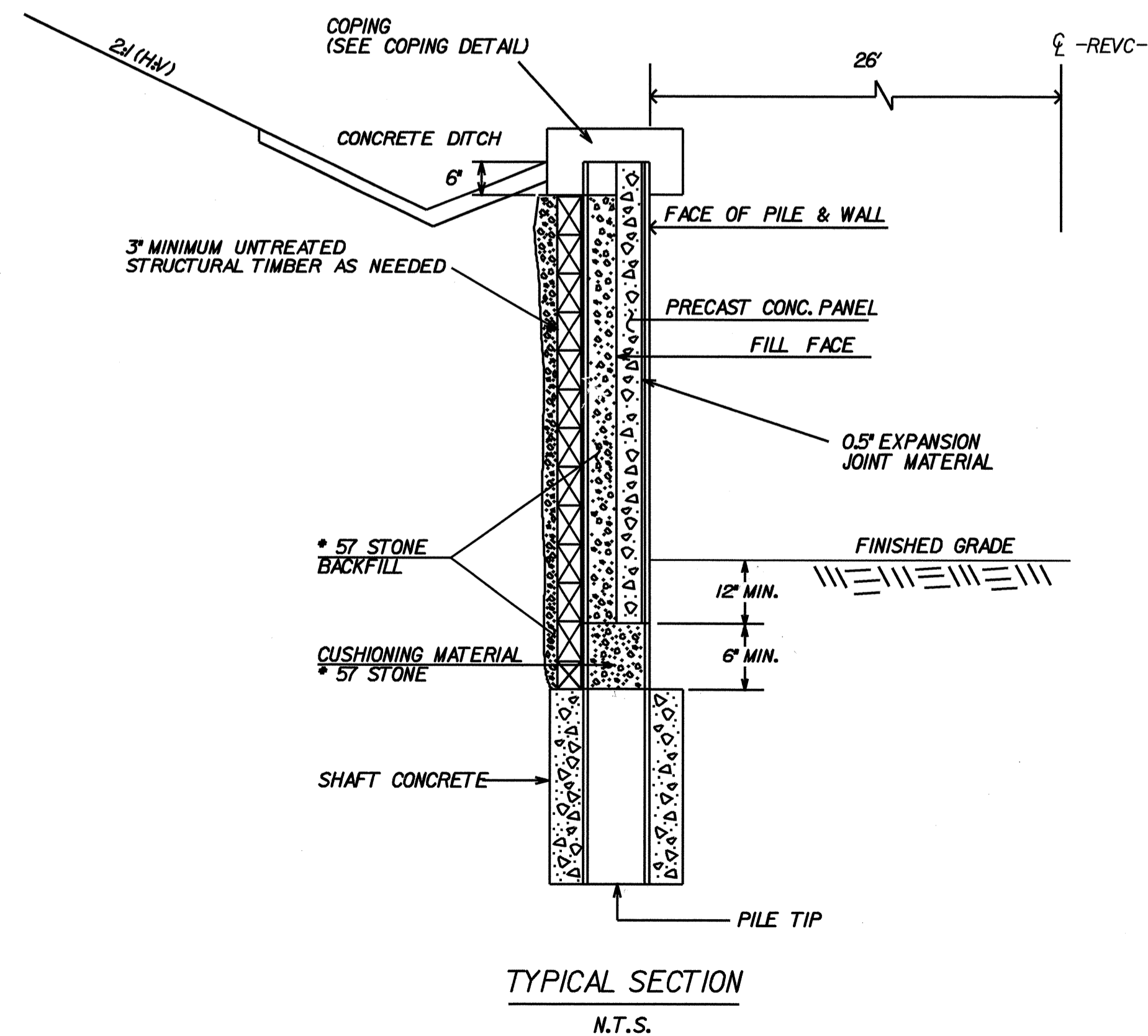


EXAMPLE BLOCKED OUT PRECAST PANEL DETAIL
(BACK FACE OF WALL)

N.T.S.

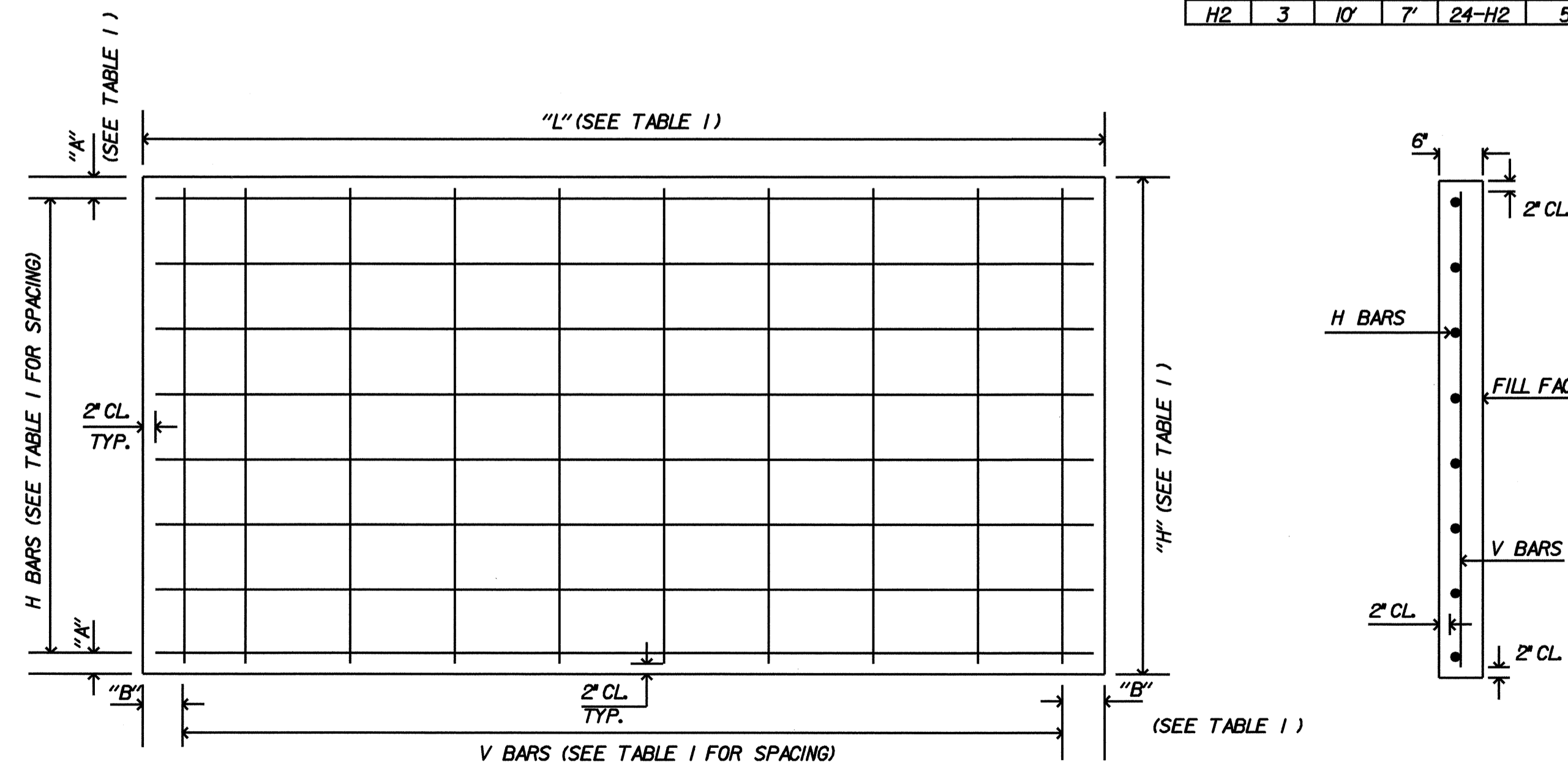
TABLE 1
PRECAST PANELS

PANEL TYPE	NO. REQ'D	"H"	"L"	BAR TYPES				"A"	"B"	CONC. CUBIC YARDS PER PANEL
				HORIZONTAL NO. PER PANEL	HORIZONTAL SPACING C-C	VERTICAL NO. PER PANEL	VERTICAL SPACING C-C			
A1	7	3'	9'-6"	6-H1	6"	19-V1	6"	3'	3'	0.528
B1	15	4'	9'-6"	8-H1	6"	19-V2	6"	3'	3'	0.704
C1	6	5'	9'-6"	10-H1	6"	19-V3	6"	3'	3'	0.880
D1	3	6'	9'-6"	17-H1	4"	19-V4	6"	4'	3'	1.060
E1	4	7'	9'-6"	20-H1	4"	19-V5	6"	4'	3'	1.230
F1	4	8'	9'-6"	19-H1A	5"	19-V6	6"	3'	3'	1.410
G1	1	9'	9'-6"	21-H1A	5"	19-V7	6"	4'	3'	1.580
G2	3	9'	7'	18-H2	6"	14-V7	6"	3'	3'	1.170
H2	3	10'	7'	24-H2	5"	14-V8	6"	2.5'	3'	1.300



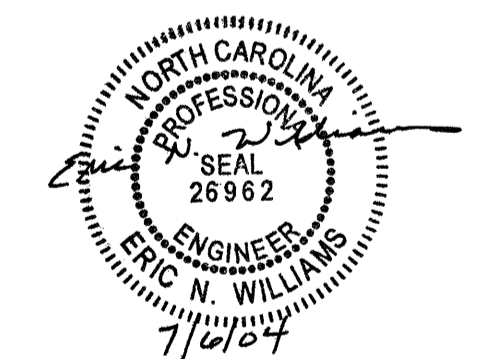
TYPICAL SECTION

N.T.S.



TYPICAL PRECAST PANEL DETAIL

N.T.S.



PROJECT 1-2102
FORSYTH COUNTY
STATION 1+50.000 TO 5+95.000 -REVC-

STATE OF NORTH CAROLINA
DEPARTMENT OF TRANSPORTATION
RALPHIGH

PILE/PANEL WALL

DRAWN BY ENW DATE 07/03
CHECKED BY CAK DATE 07/03