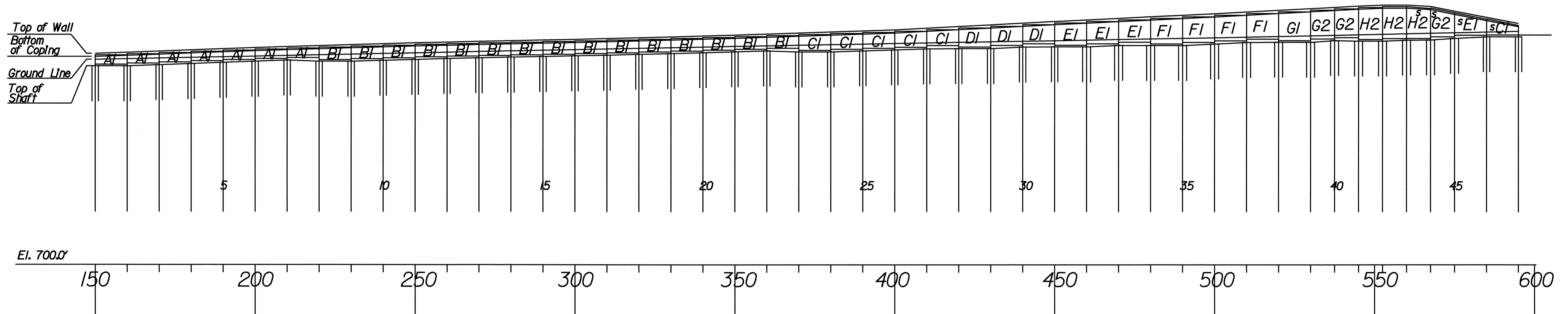
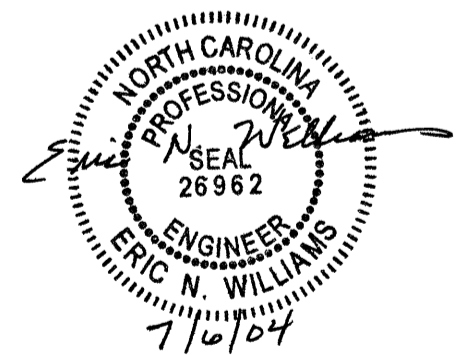


10/26/03



ELEVATION VIEW ALONG BACK  
FACE OF PILE PANEL WALL

N.T.S.



PROJECT 1-2102  
FORSYTH COUNTY  
STATION 1+50.000 TO 5+95.000 -REVC-

STATE OF NORTH CAROLINA  
DEPARTMENT OF TRANSPORTATION  
RALEIGH

PILE/PANEL WALL

DRAWN BY ADS DATE 08/03  
CHECKED BY ENW DATE 08/03

10/26/03