

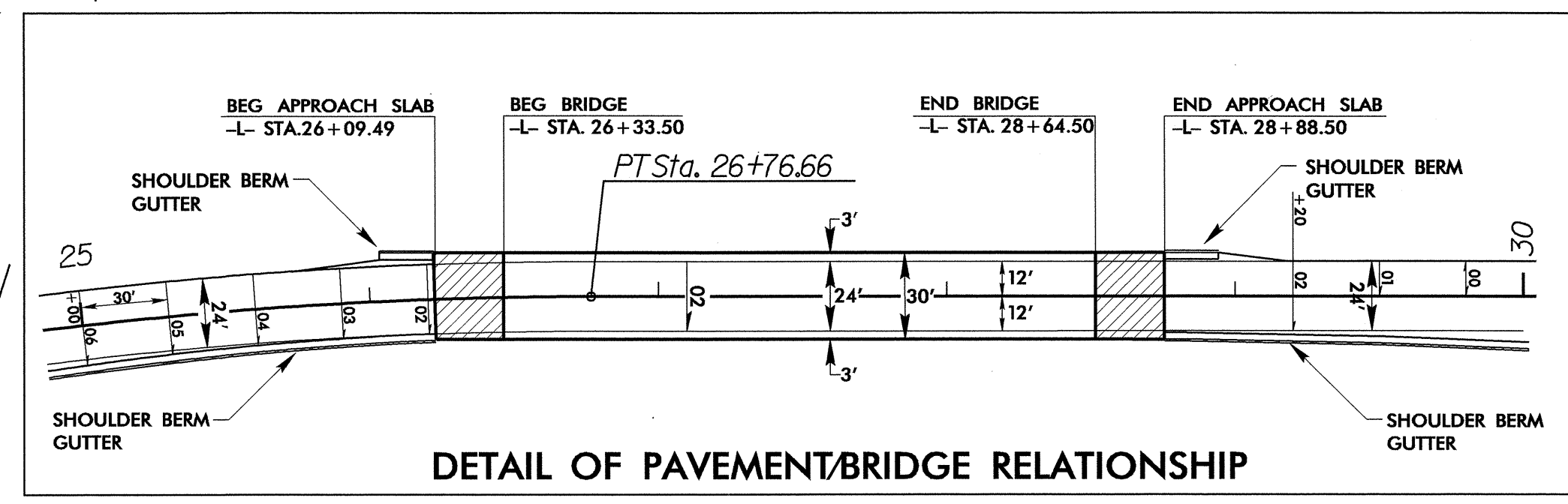
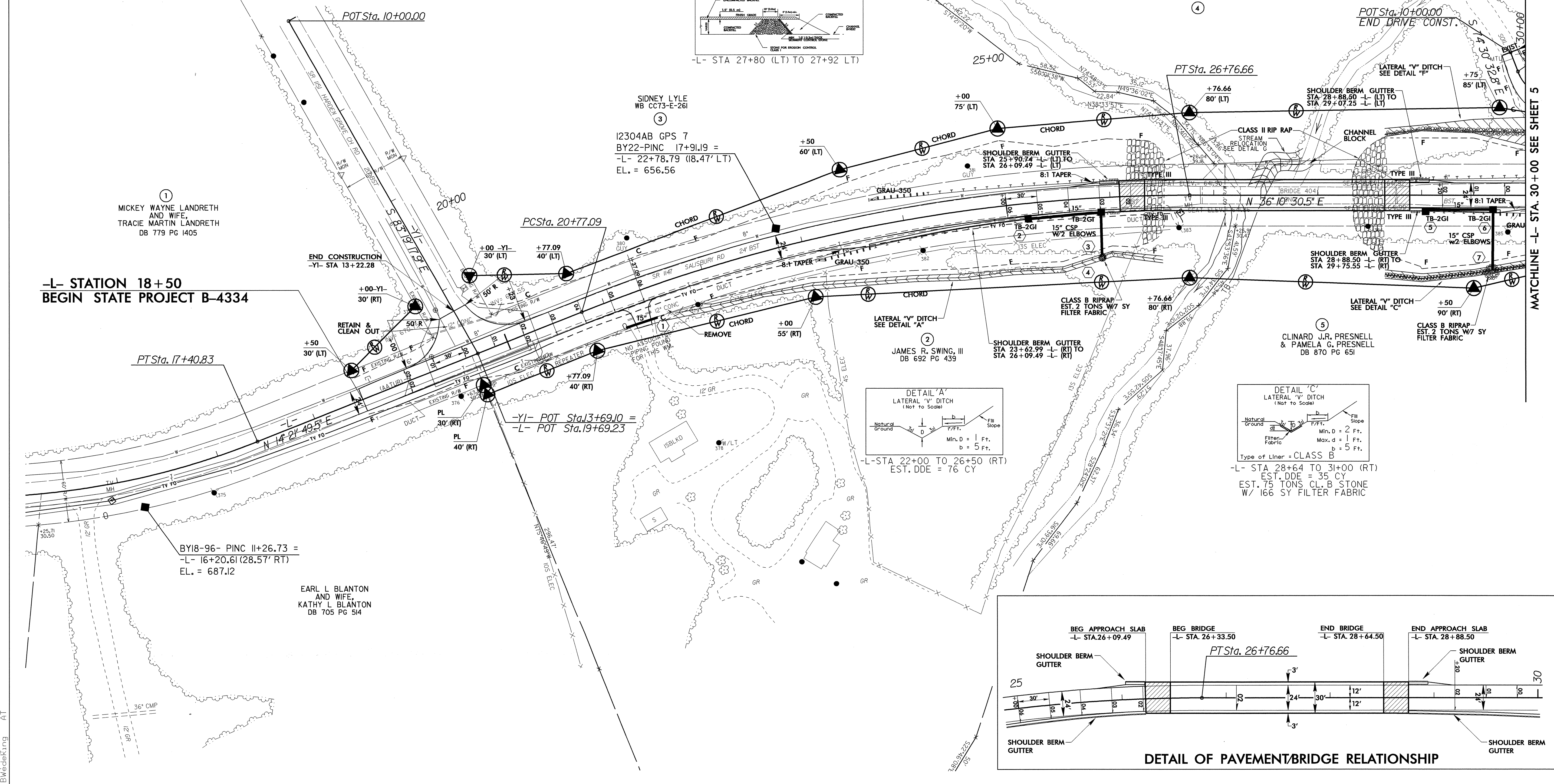
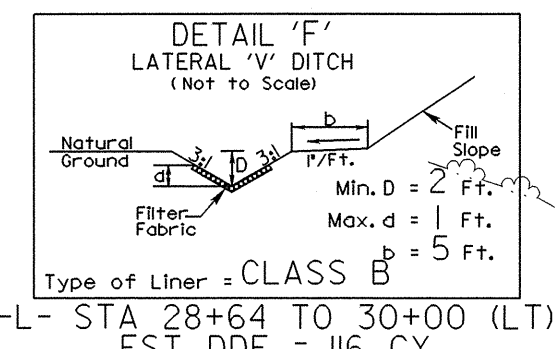
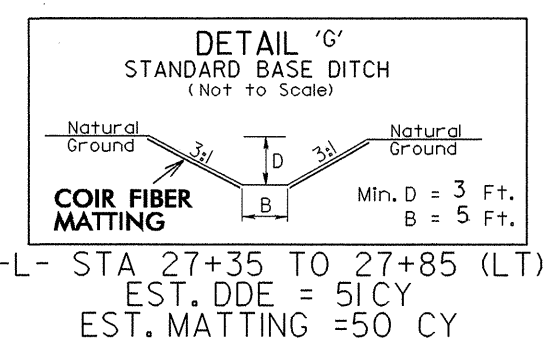
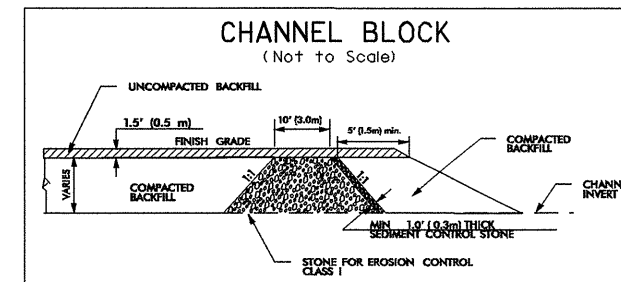
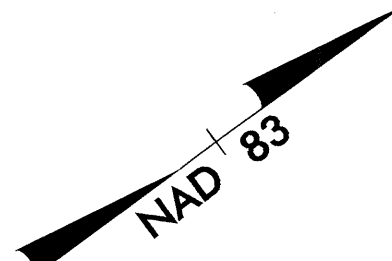
7/27/04

REVISIONS

**DATUM DESCRIPTION**  
 THE LOCALIZED COORDINATE SYSTEM DEVELOPED FOR THIS PROJECT IS BASED ON THE STATE PLANE COORDINATES ESTABLISHED BY NCGS FOR MONUMENT "POTTS" WITH NAD 83 STATE PLANE GRID COORDINATES OF NORTHING: 726960.1439(F) EASTING: 1593494.1555(F) THE AVERAGE COMBINED GRID FACTOR USED ON THIS PROJECT (GROUND TO GRID) IS: 0.999876970 THE N.C. LAMBERT GRID BEARING LOCALIZED HORIZONTAL GROUND DISTANCE FROM "POTTS" TO -L- STATION 18+50 IS N 47° 24' 05.23" E, 5,607.39' ALL LINEAR DIMENSIONS ARE LOCALIZED HORIZONTAL DISTANCES VERTICAL DATUM USED IS NGVD 29

PROJECT REFERENCE NO. B-4334	SHEET NO. 4
RW SHEET NO.	
ROADWAY DESIGN ENGINEER JAMES HANFORD GORDON NORTH CAROLINA PROFESSIONAL ENGINEER SEAL 14493	HYDRAULICS ENGINEER A. BILLINGS NORTH CAROLINA PROFESSIONAL ENGINEER SEAL 20329

-L-  
 PI Sta 15+72.98 Δ = 26° 06' 24.5" (LT) D = 7' 38" 22.0" L = 341.74' T = 173.89' R = 750.00'  
 PI Sta 23+80.55 Δ = 21° 48' 41.0" (RT) D = 3' 38" 16.2" L = 599.57' T = 303.46' R = 1,575.00' SE = 0.06' INC = 30'



MATCHLINE -L- STA. 30+00 SEE SHEET 5

13-JUL-2004 14:30  
R:\proj\13433454.PSH  
BWedeking AT