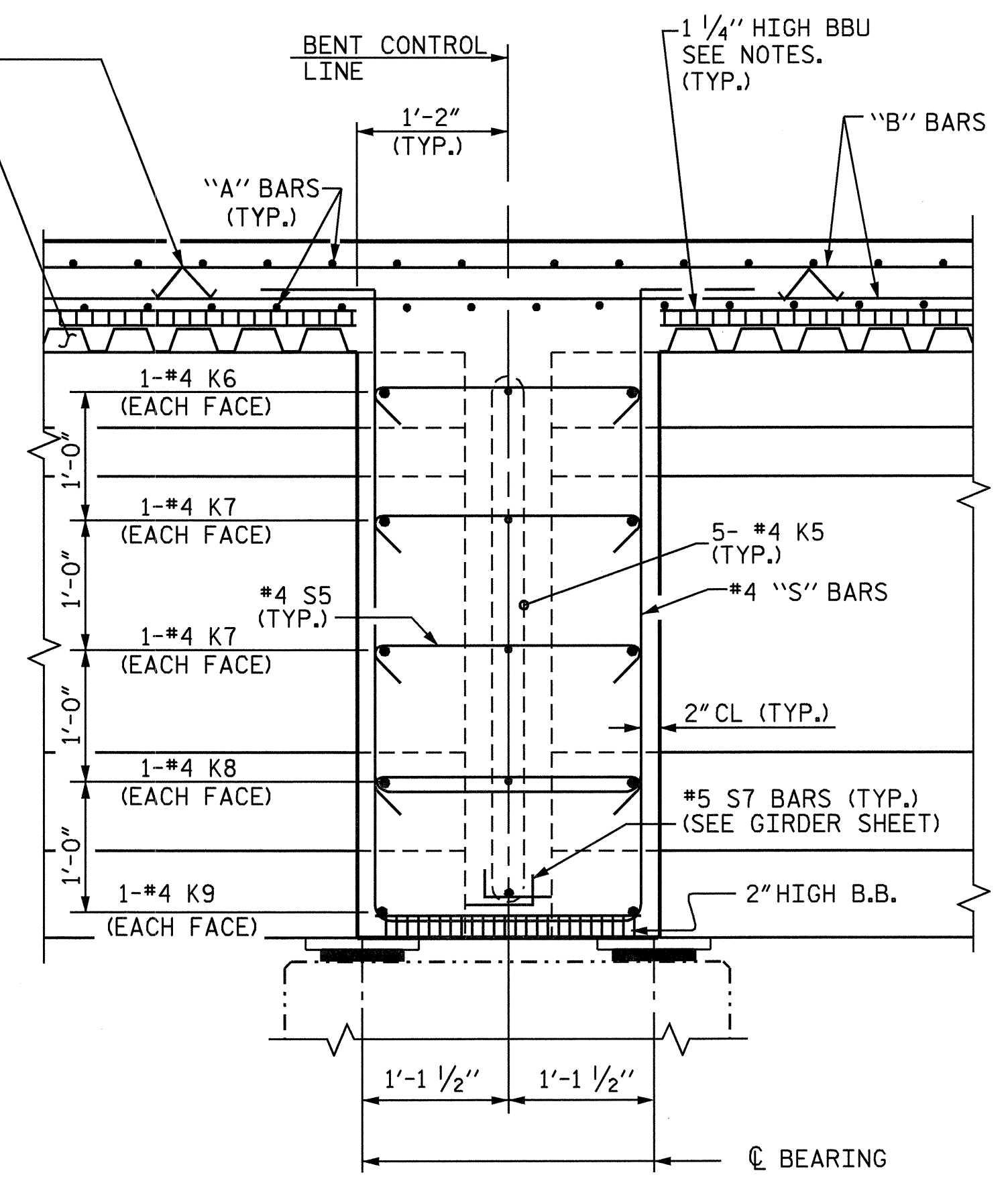
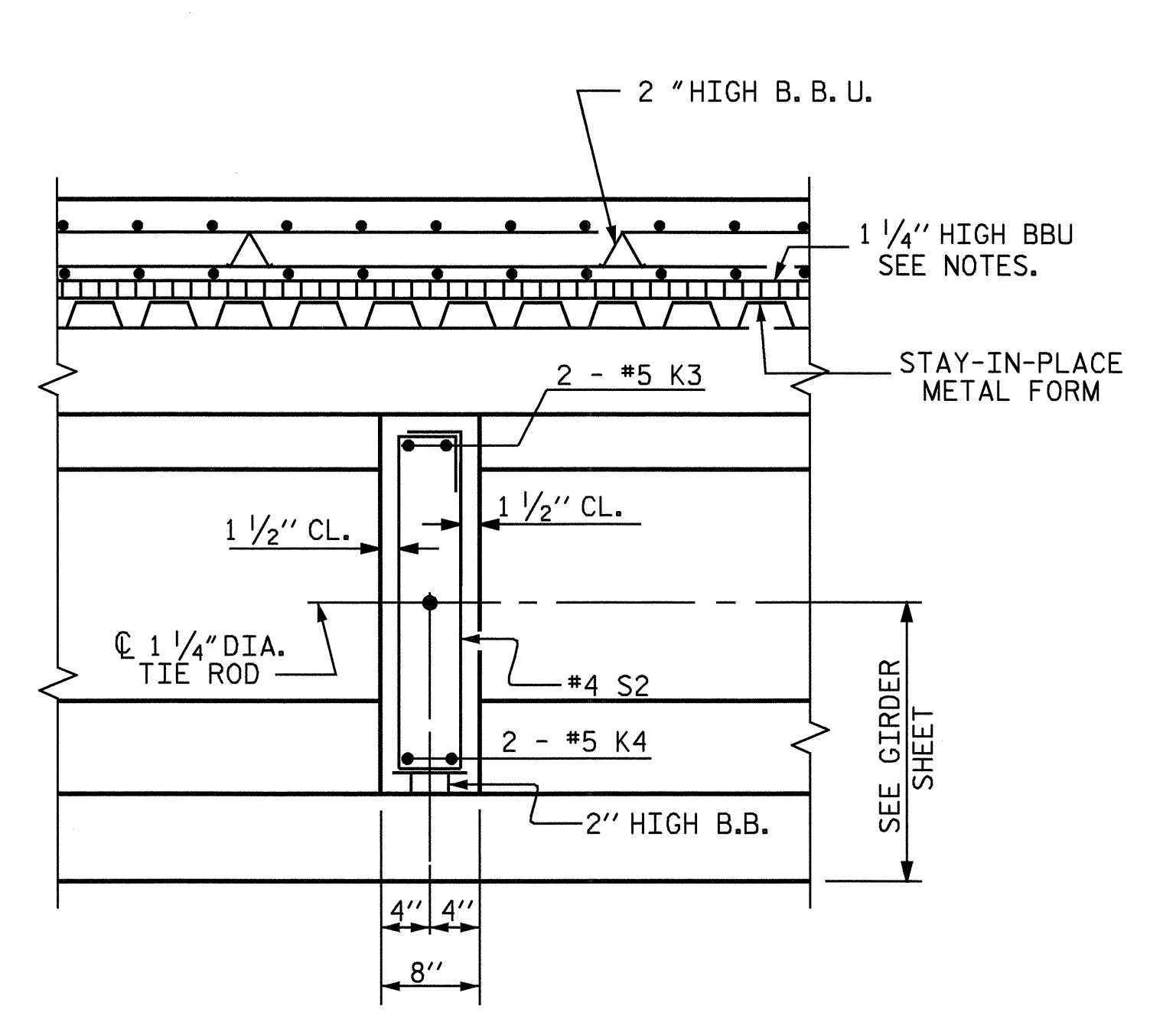


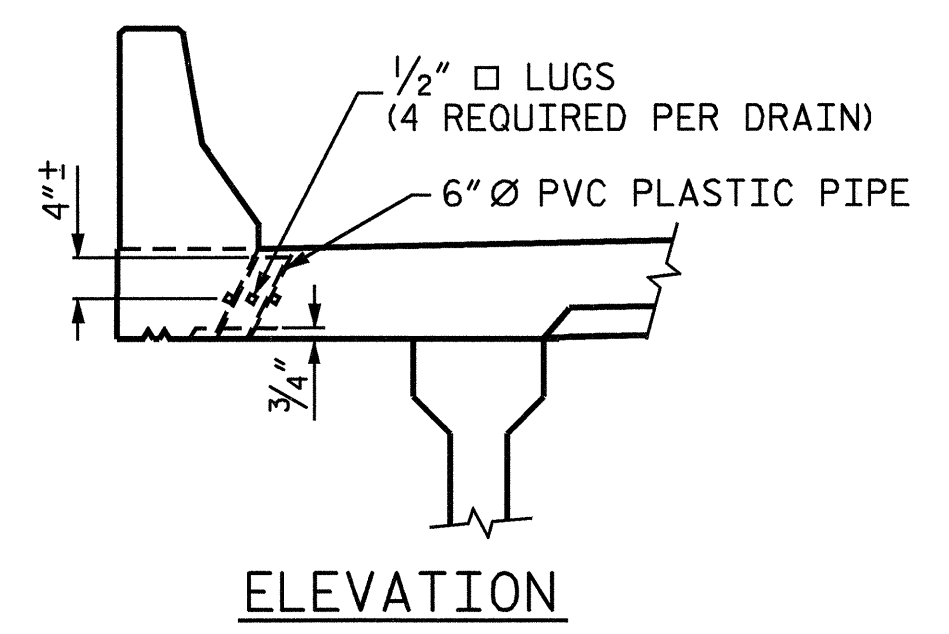
SECTION @ END BENT DIAPHRAGM



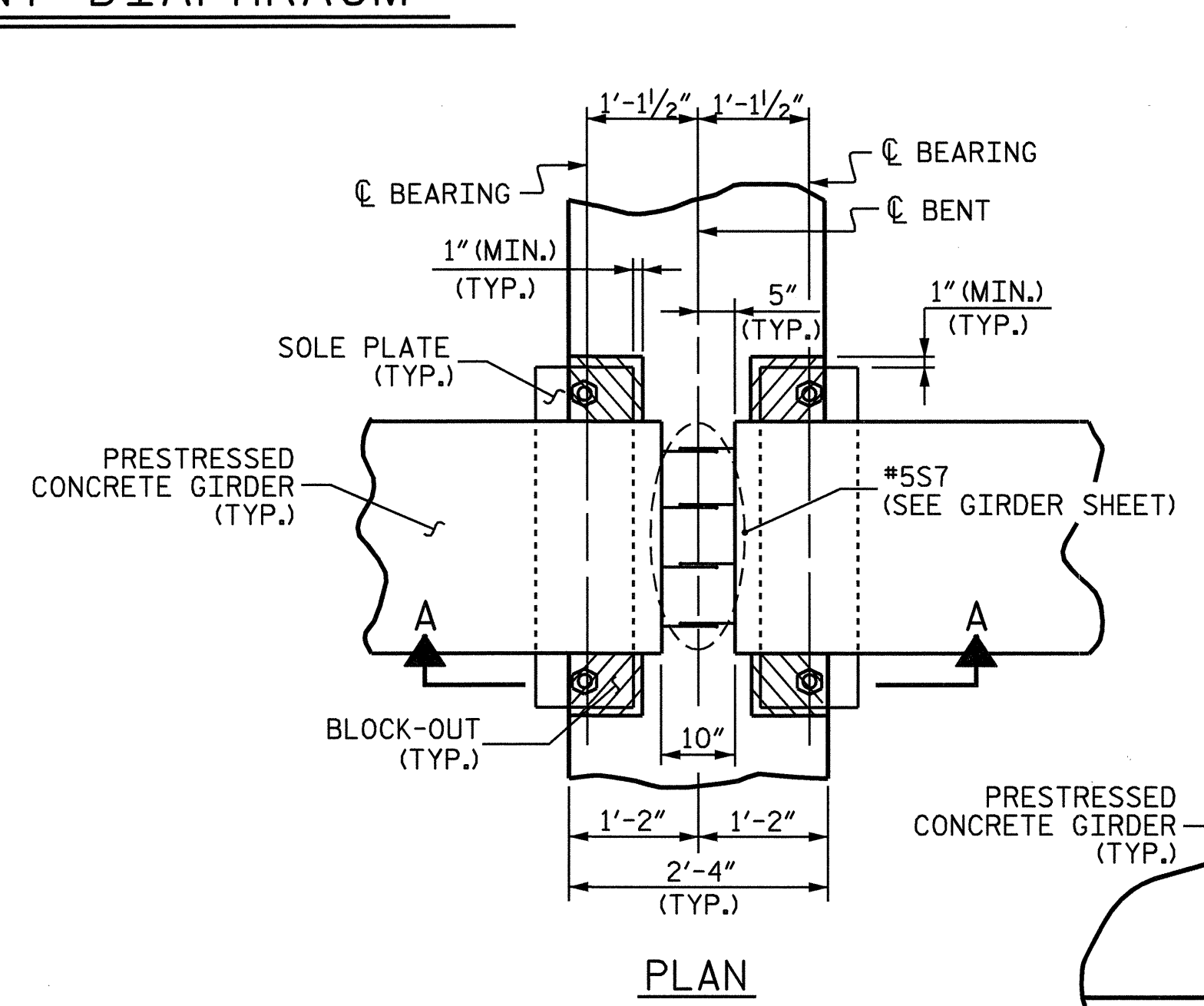
SECTION @ BENT DIAPHRAGM



SECTION @ INTERMEDIATE DIAPHRAGM

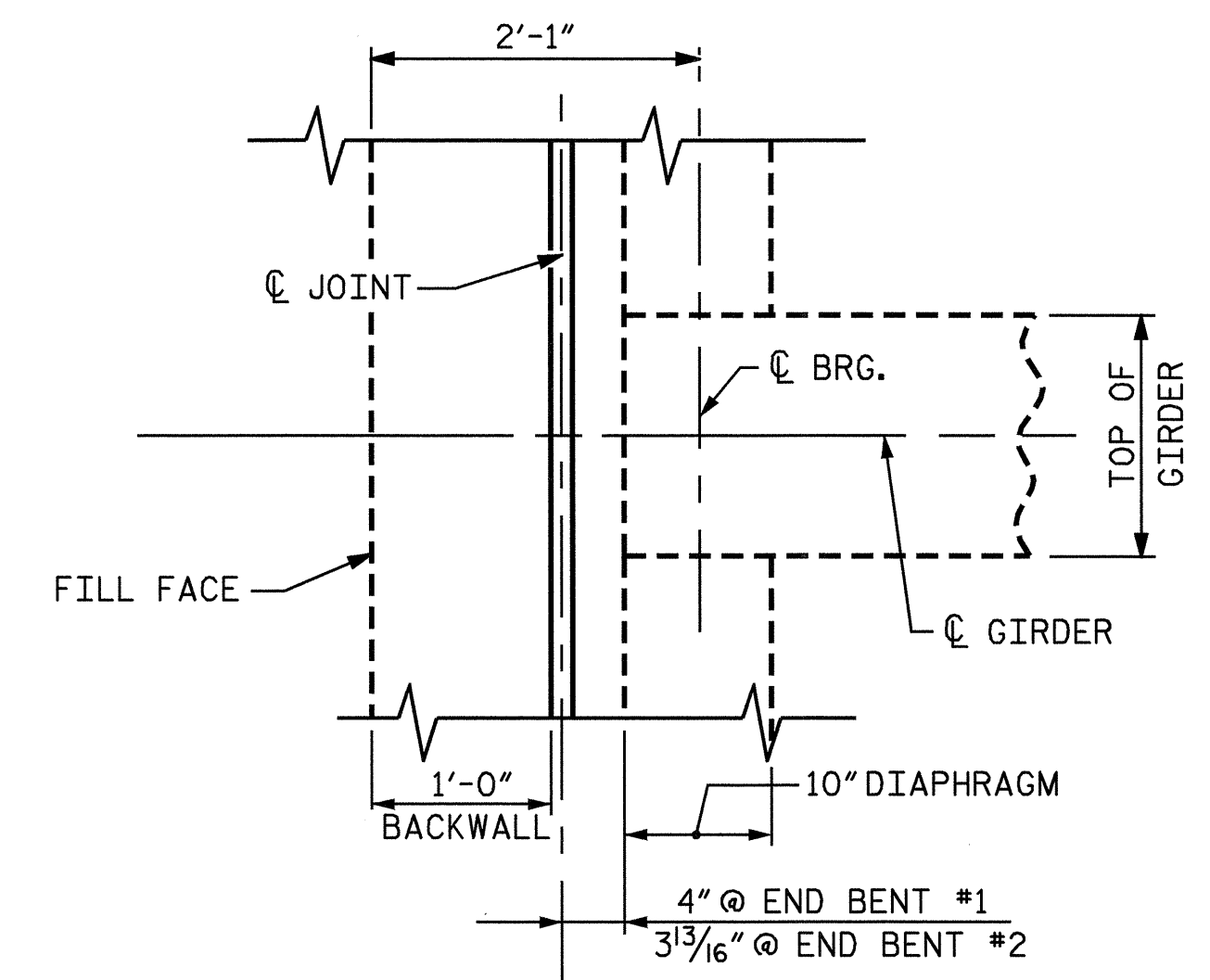


ELEVATION

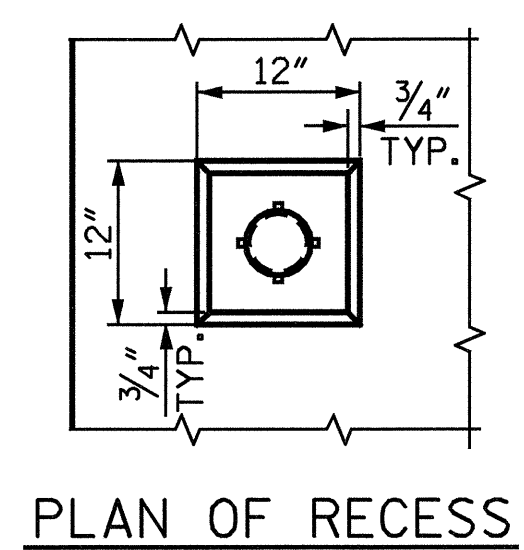


TRANSVERSE CONSTRUCTION JOINT DETAIL

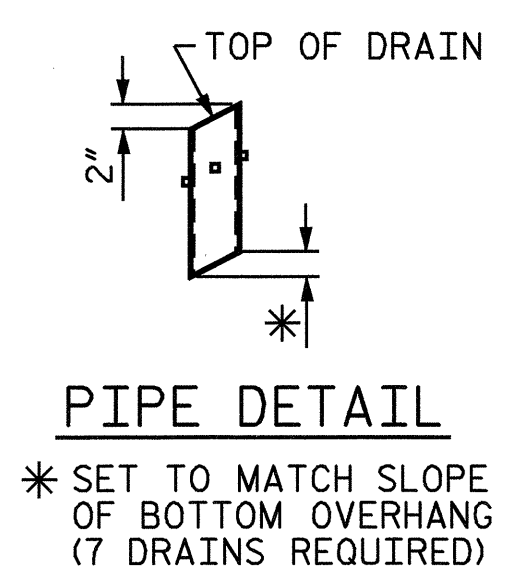
NOTE: REINFORCING STEEL IN SLAB NOT SHOWN. LONGITUDINAL REINFORCING STEEL SHALL BE CONTINUOUS THROUGH JOINT.



PLAN @ END BENT DIAPHRAGM



PLAN OF RECESS

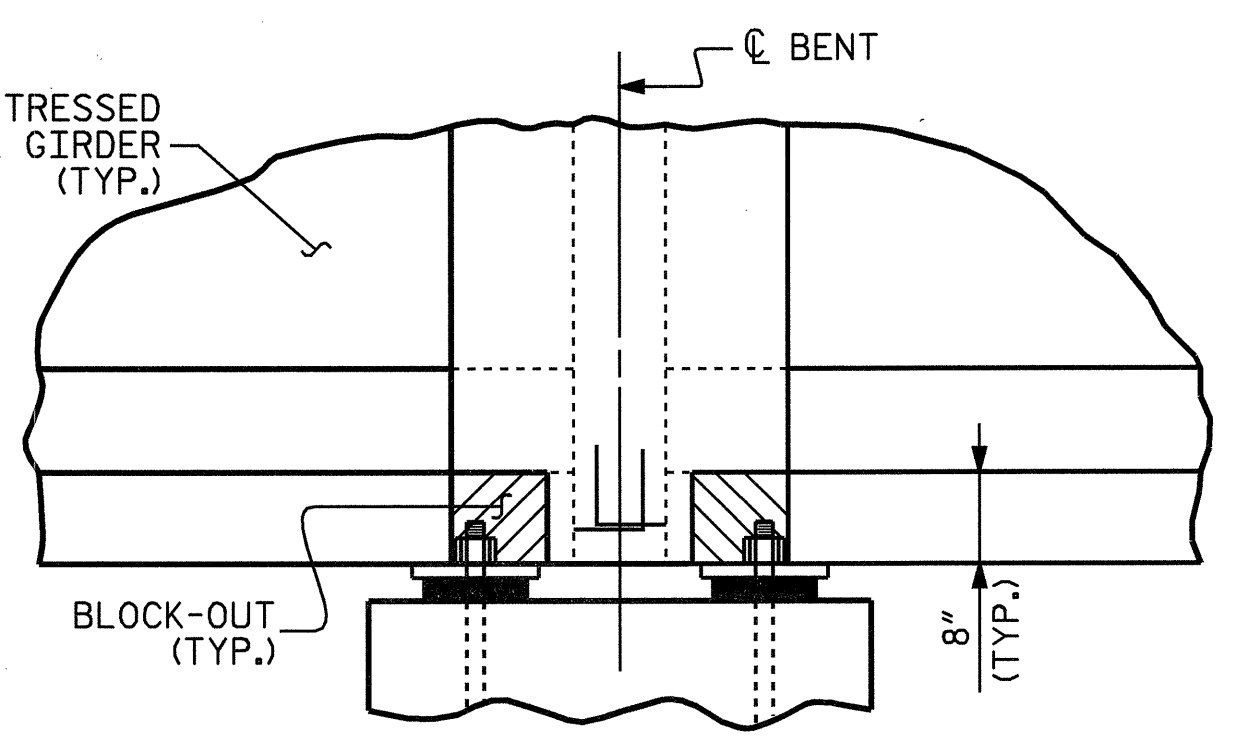


PIPE DETAIL  
\* SET TO MATCH SLOPE OF BOTTOM OVERHANG (7 DRAINS REQUIRED)

**DRAIN DETAILS**

NOTES: TOP OF FLOOR DRAINS TO BE SET 3/8" BELOW SURFACE OF SLAB.  
4 - 1/2" x 1/2" LUGS TO BE GLUED TO THE PVC PIPE AT EQUAL SPACES AROUND THE PIPE DRAIN, APPROXIMATELY 4" FROM THE TOP OF THE PIPE. THE 6" x 6" PVC PIPE AND FITTINGS SHALL BE SCHEDULE 40 AND CONFORM TO ASTM D1785.

DRAWN BY: M. M. P. / DAD DATE: 9/25/02  
CHECKED BY: H. T. BARBOUR DATE: 11/02



SECTION A-A

BENT DIAPHRAGM BLOCKOUT DETAIL

PROJECT NO. B-4334  
DAVIDSON COUNTY  
STATION: 27+49.00 -L-  
SHEET 2 OF 2

STATE OF NORTH CAROLINA  
DEPARTMENT OF TRANSPORTATION  
RALEIGH  
SUPERSTRUCTURE  
TYPICAL SECTION DETAILS

REVISIONS						SHEET NO.	
NO.	BY:	DATE:	NO.	BY:	DATE:	S-5	
1			3			TOTAL SHEETS	
2			4			34	

