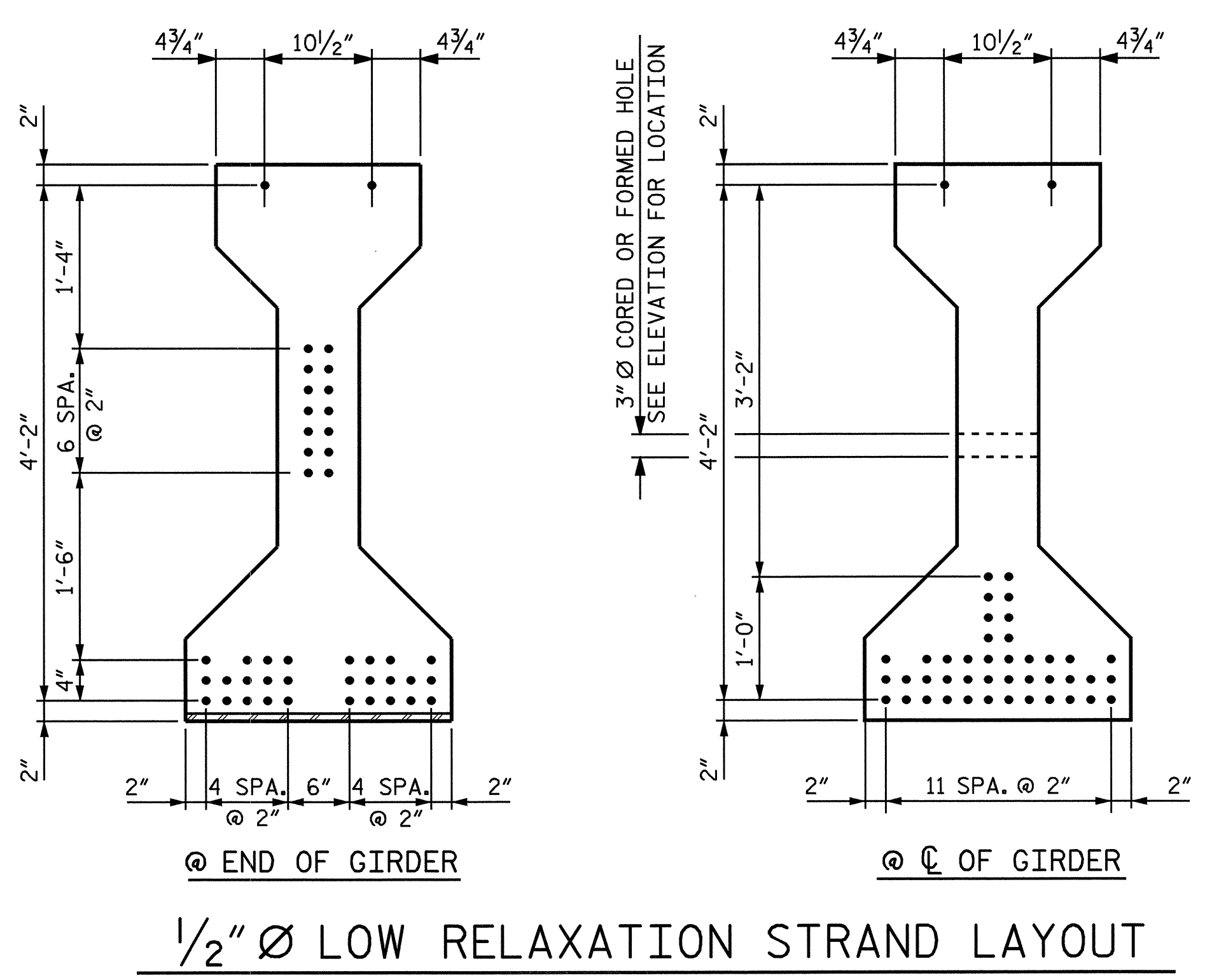
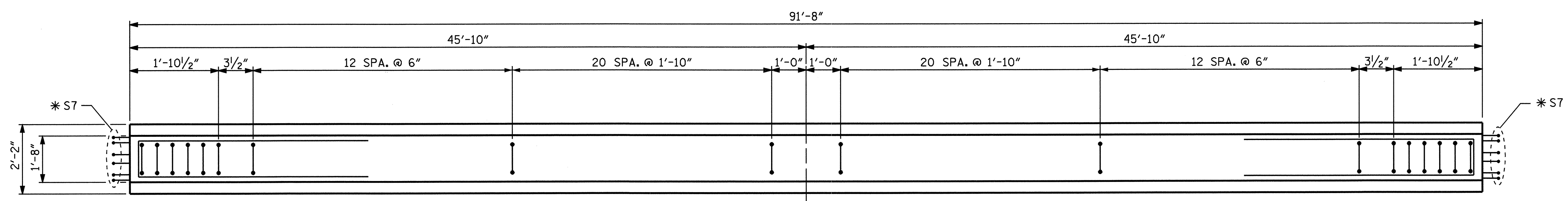


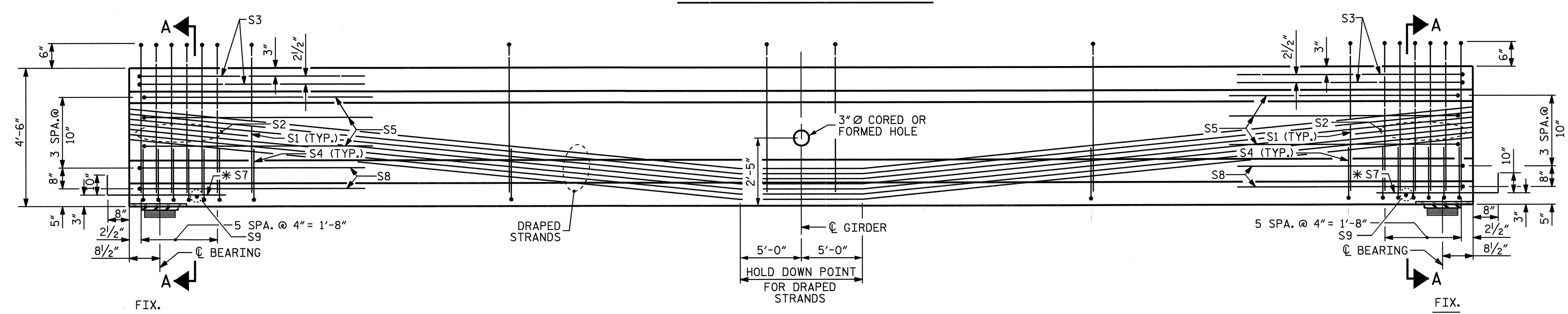
* FOR S7 BARS, SEE
 DETAIL 'A' OF PRESTRESSED
 CONCRETE GIRDER CONTINUOUS
 FOR LIVE LOAD DETAILS
 SHEET



1/2" Ø LOW RELAXATION STRAND LAYOUT



PLAN OF GIRDER



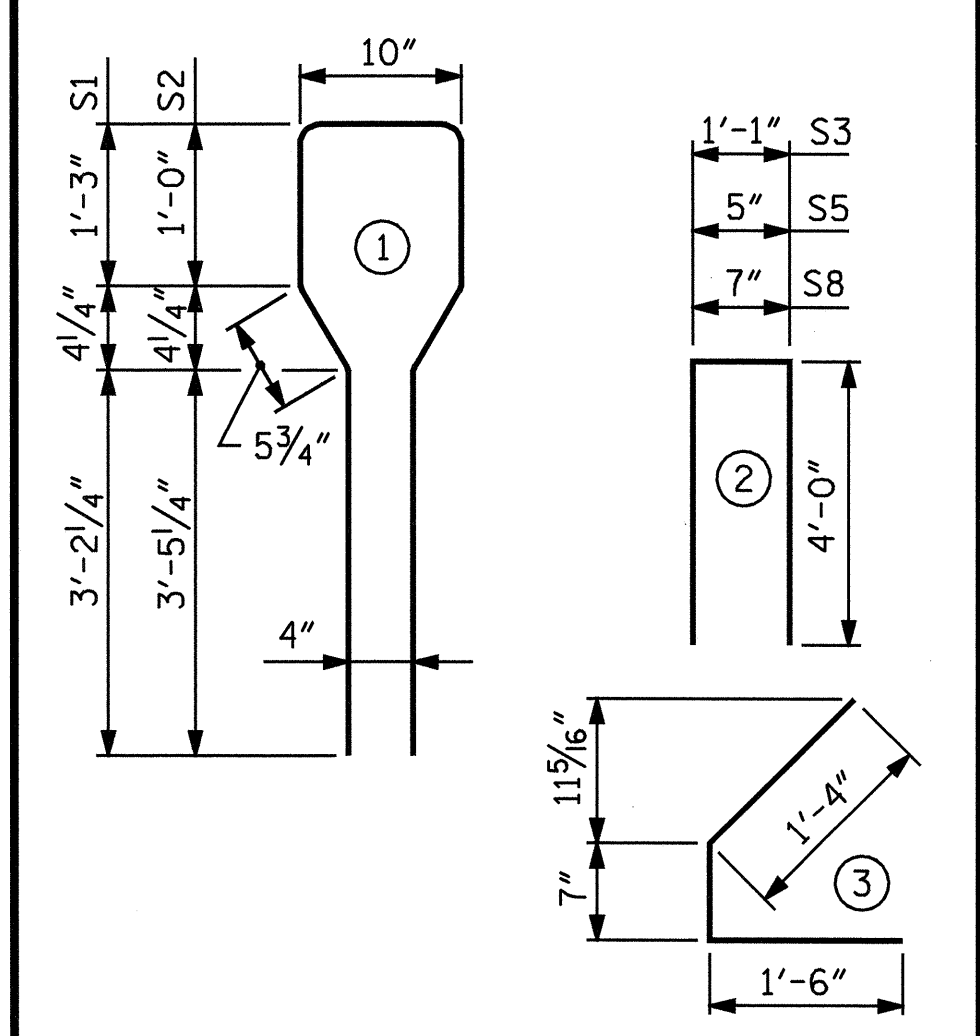
ELEVATION OF GIRDER

1/2" Ø L. R. GRADE 270 STRANDS		
AREA (SQUARE INCHES)	ULTIMATE STRENGTH (LBS. PER STRAND)	APPLIED PRESTRESS (LBS. PER STRAND)
0.153	41,300	30,980

REINFORCING STEEL FOR ONE GIRDER					
BAR	NUMBER	SIZE	TYPE	LENGTH	WEIGHT
S1	66	#4	1	10'-8"	470
S2	12	#6	1	10'-8"	192
S3	4	#4	2	9'-1"	24
S4	76	#4	3	3'-5"	173
S5	6	#4	2	8'-5"	34
* S7	12	#5	STR	3'-8"	46
S8	4	#4	2	8'-7"	23
S9	2	#3	STR	1'-10"	1

* NOTE: S7 BARS SHALL BE BENT BEFORE SHIPMENT. HEAT BENDING SHALL NOT BE ALLOWED.

BAR TYPES
 ALL BAR DIMENSIONS ARE OUT-TO-OUT



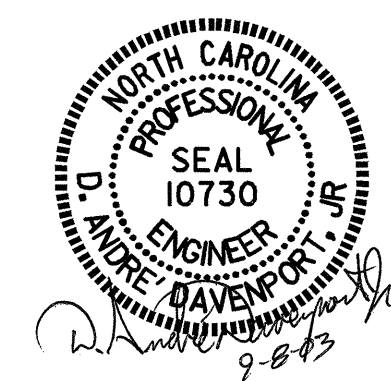
QUANTITIES FOR ONE GIRDER			
	REINFORCING STEEL	6000.0 PSI CONCRETE	1/2" Ø L.R. STRANDS
	LB.	C.Y.	No.
INT/EXT GIRDER	963	18.6	44

GIRDERS REQUIRED		
NUMBER	LENGTH	TOTAL LENGTH
4	91.67	366.67

PROJECT NO. B-4334
DAVIDSON COUNTY
 STATION: 27+49.00 -L-

SHEET 2 OF 4

STATE OF NORTH CAROLINA
 DEPARTMENT OF TRANSPORTATION
 RALEIGH
 AASHTO TYPE IV
 PRESTRESSED CONCRETE GIRDER
 CONTINUOUS FOR LIVE LOAD
SPAN B



ASSEMBLED BY : M. M. P./DAD	DATE : 10/1/02	CADD STANDARD
CHECKED BY : H. T. BARBOUR	DATE : 11/02	
DRAWN BY : ARB	2/97	REV. 10/99 MAB/LES
CHECKED BY : EEM	2/97	

REVISIONS						SHEET NO. S-11
NO.	BY:	DATE:	NO.	BY:	DATE:	
1			3			TOTAL SHEETS 34
2			4			