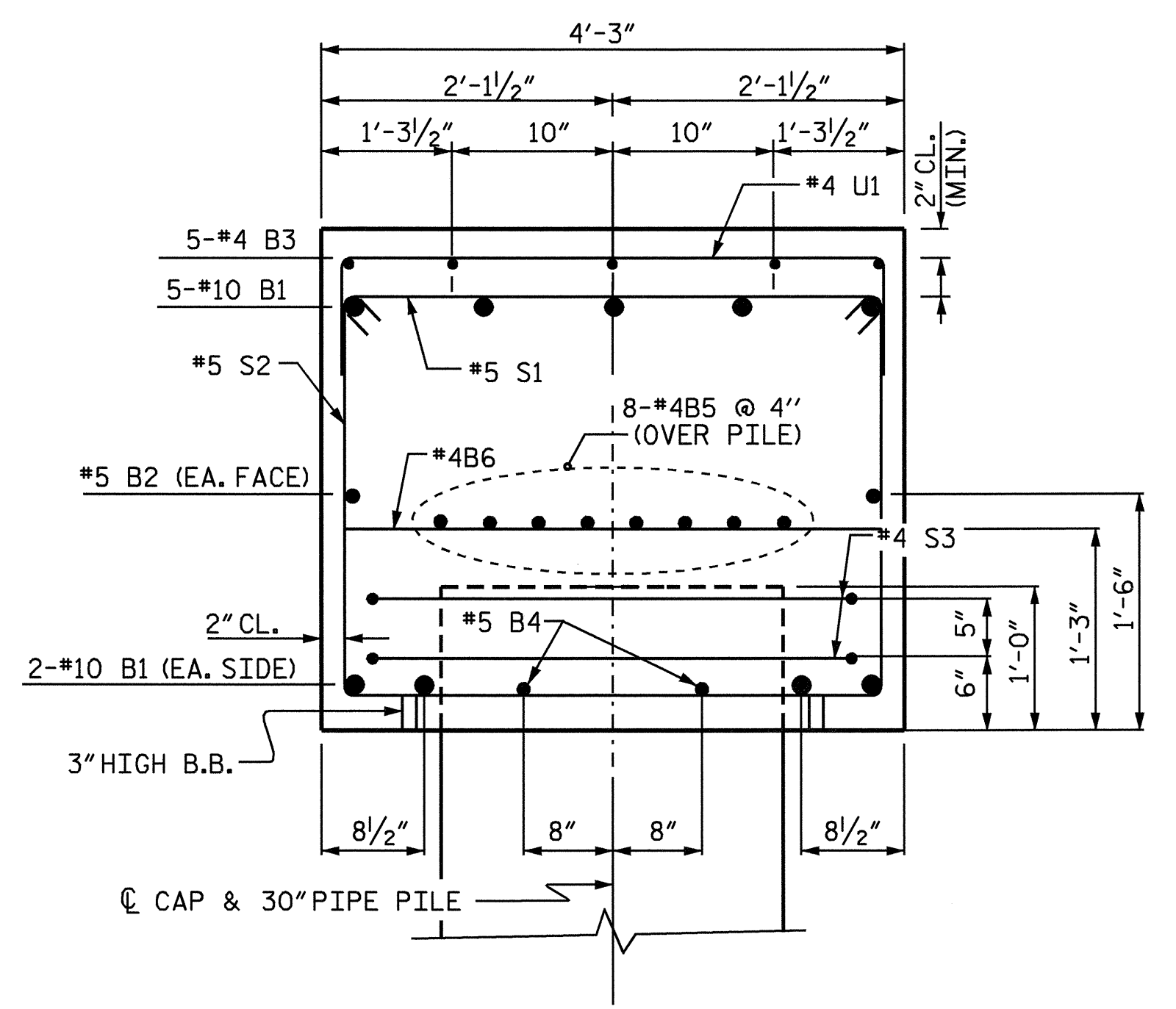
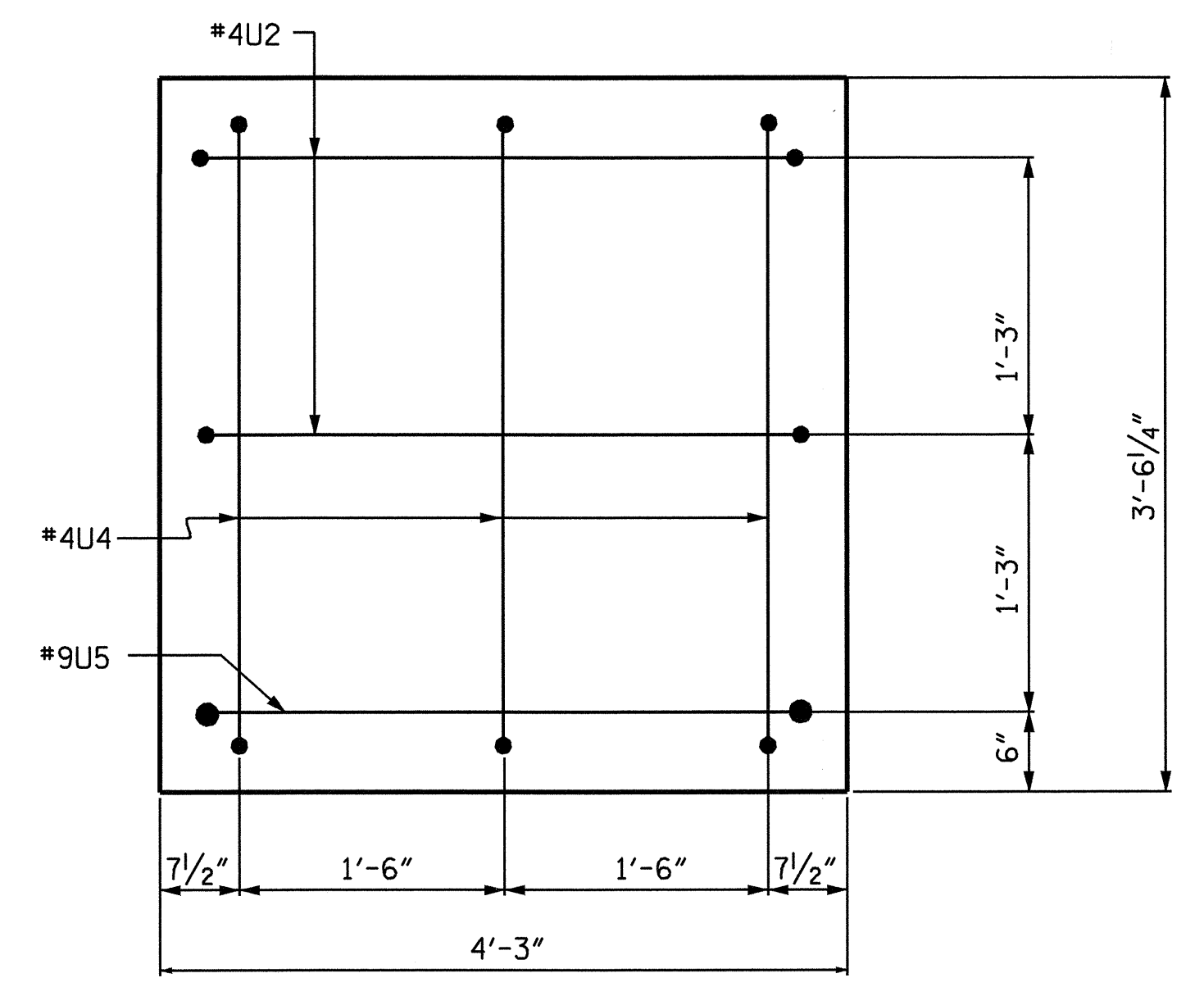


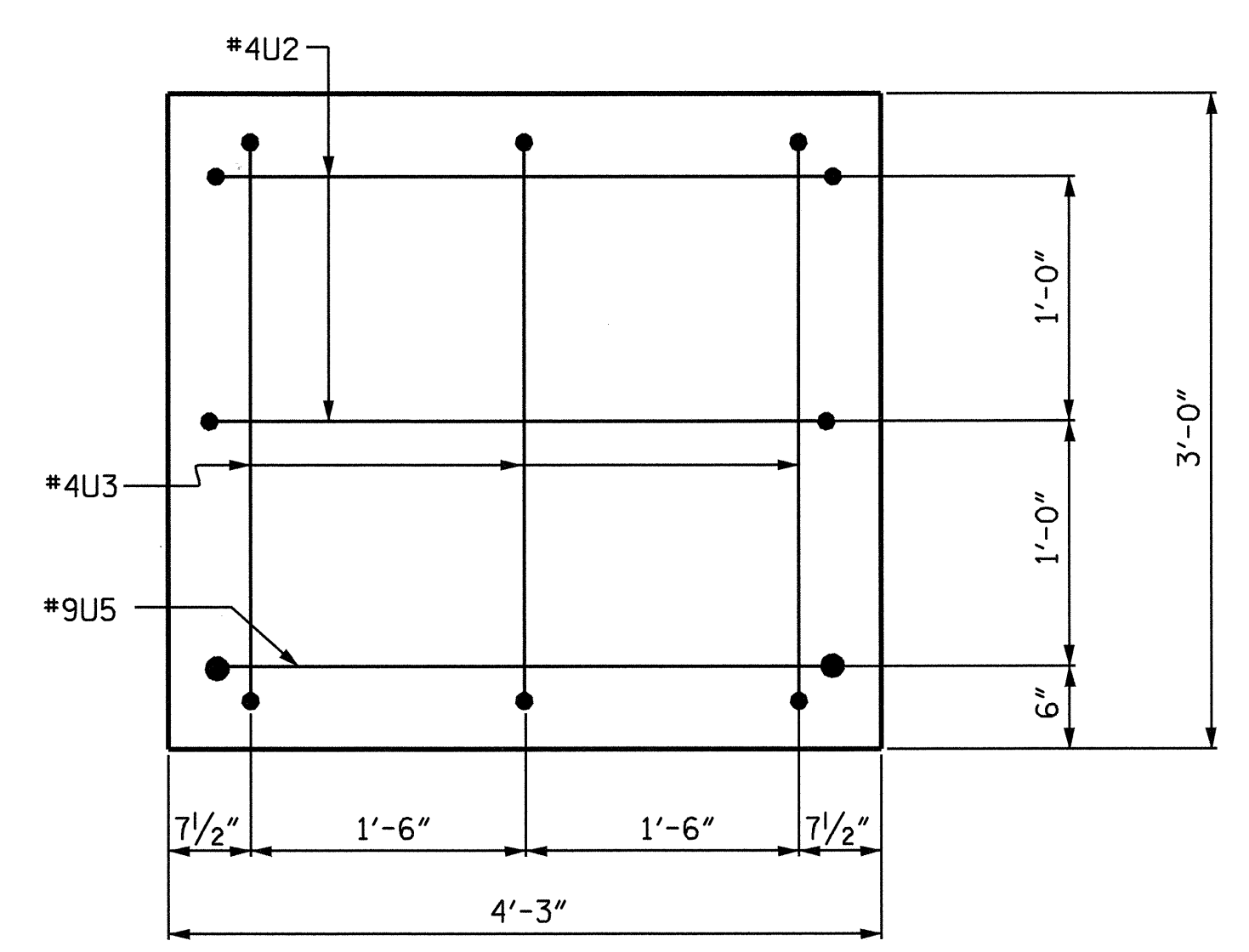
SECTION A-A



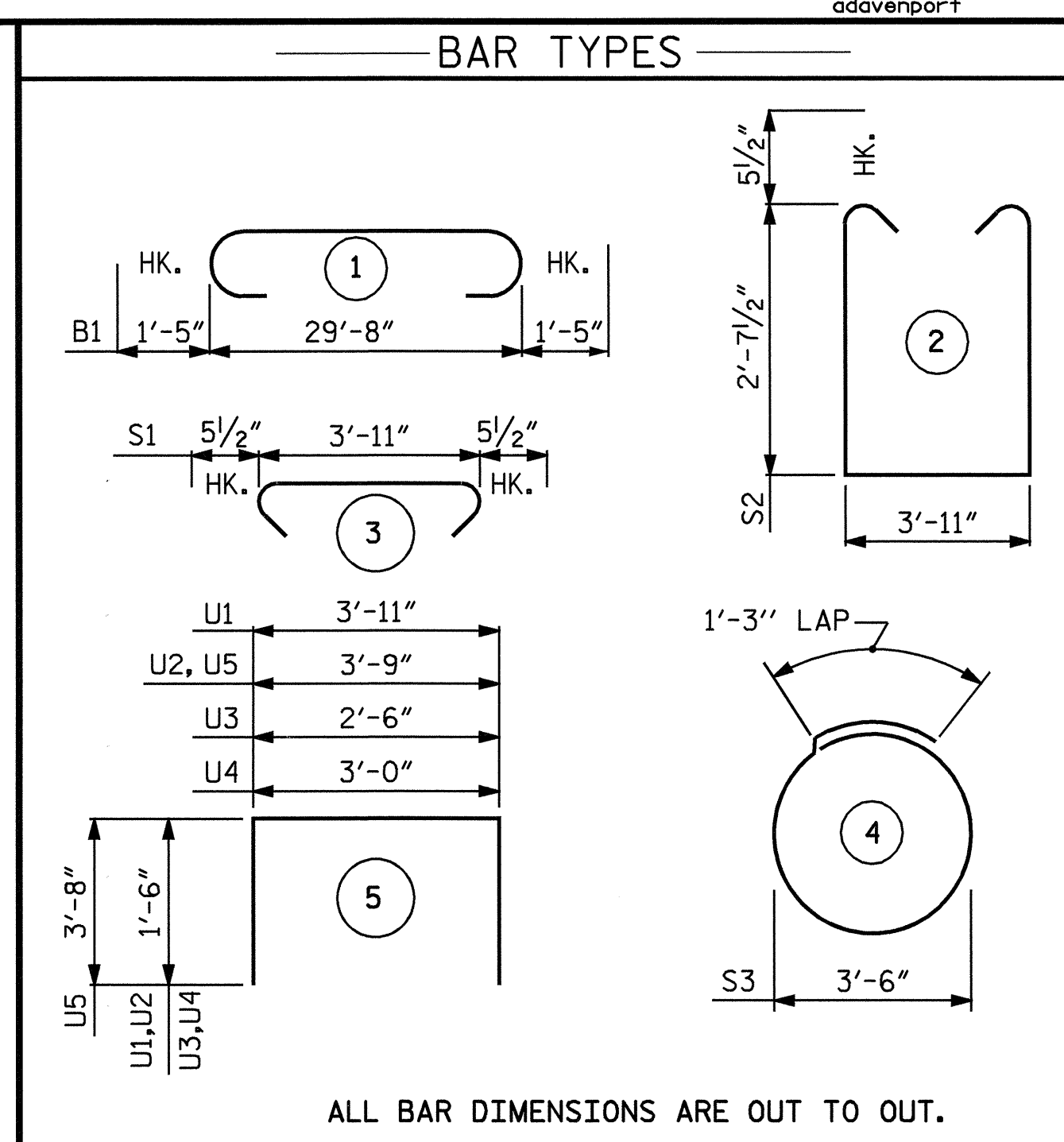
SECTION B-B



END VIEW LEFT



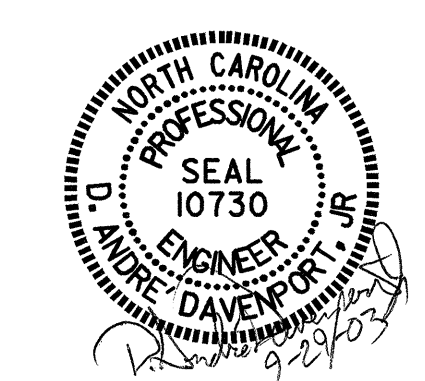
END VIEW RIGHT



ALL BAR DIMENSIONS ARE OUT TO OUT.

BILL OF MATERIAL					
BENT #2					
BAR	NO.	SIZE	TYPE	LENGTH	WEIGHT
B1	9	#10	1	32'-6"	1259
B2	2	#5	STR	29'-10"	62
B3	5	#4	STR	12'-2"	41
B4	8	#5	STR	3'-7"	30
B5	8	#4	STR	29'-10"	159
B6	8	#4	STR	3'-11"	21
S1	34	#5	3	4'-10"	171
S2	34	#5	2	10'-1"	358
S3	10	#4	4	12'-3"	82
U1	23	#4	5	6'-11"	106
U2	4	#4	5	6'-9"	18
U3	3	#4	5	5'-6"	11
U4	3	#4	5	6'-0"	12
U5	2	#9	5	11'-1"	75
REINFORCING STEEL					= 2405 LBS
CLASS A CONCRETE					= 14.4 CU. YDS.
PP 30" X 0.625" STEEL PILE					
NO.5					LIN.FT. 250 FT.

DRAWN BY : D.A. DAVENPORT DATE : 9-03
 CHECKED BY : G.W. DICKEY DATE : 9-03



PROJECT NO. B-4334
DAVIDSON COUNTY
 STATION: 27+49.00-L-
 SHEET 2 OF 2

STATE OF NORTH CAROLINA
 DEPARTMENT OF TRANSPORTATION
 RALEIGH
**SUBSTRUCTURE
 BENT #2**

REVISIONS						SHEET NO.	
NO.	BY:	DATE:	NO.	BY:	DATE:	S- 23	
1			3			TOTAL SHEETS	
2			4			34	