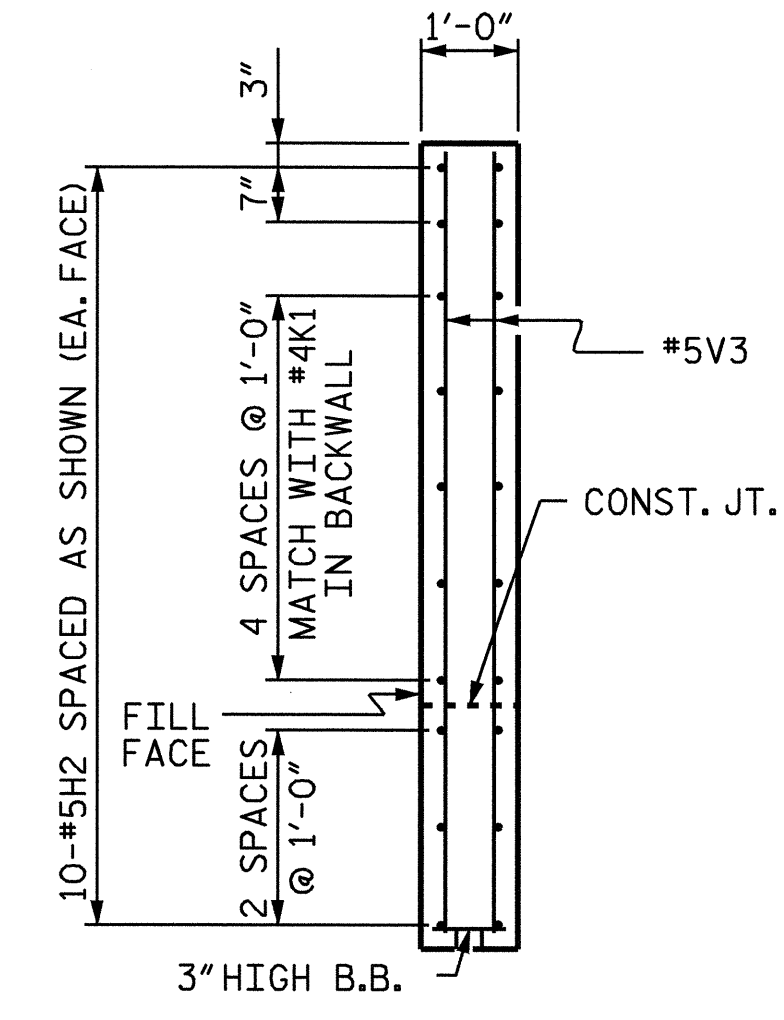
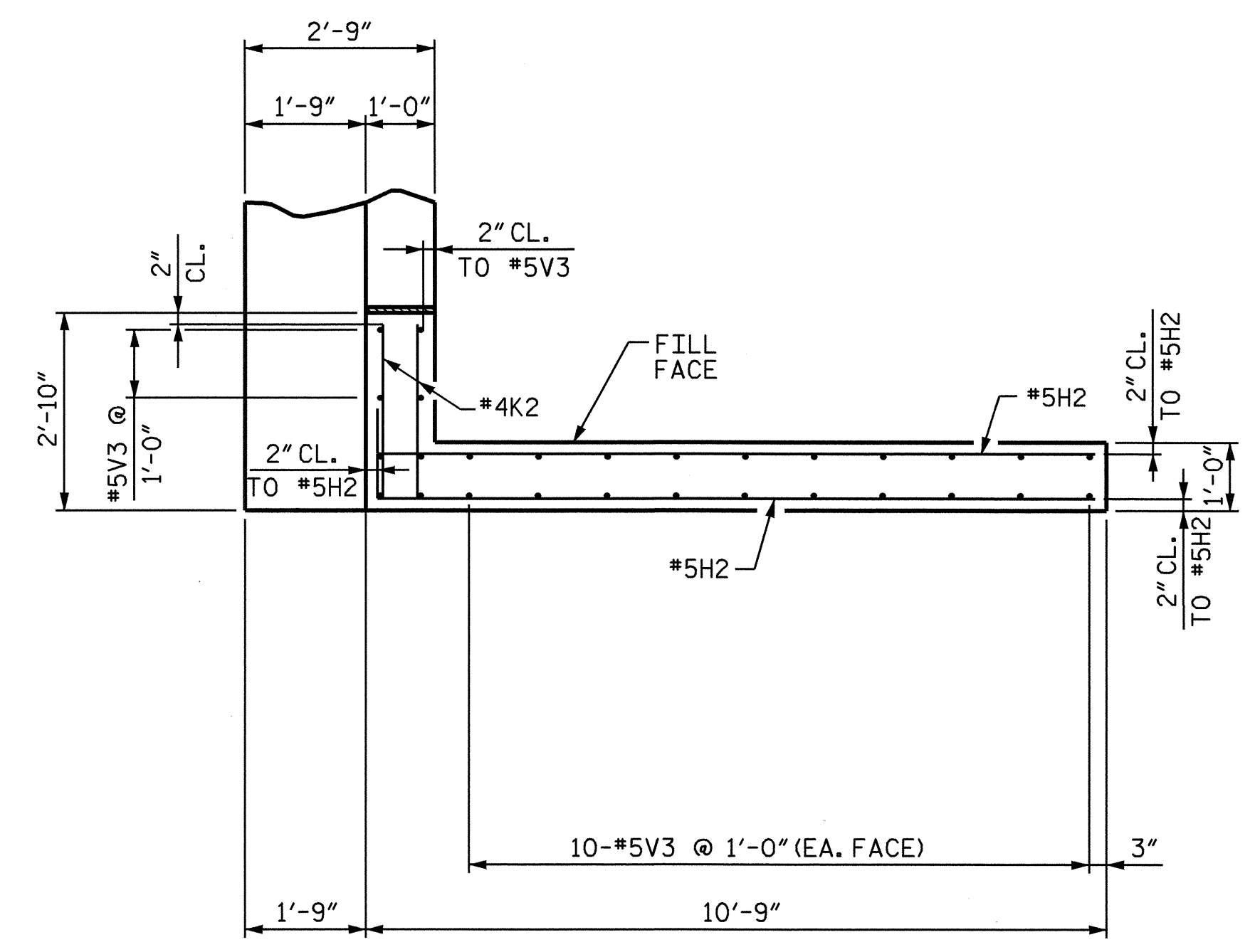


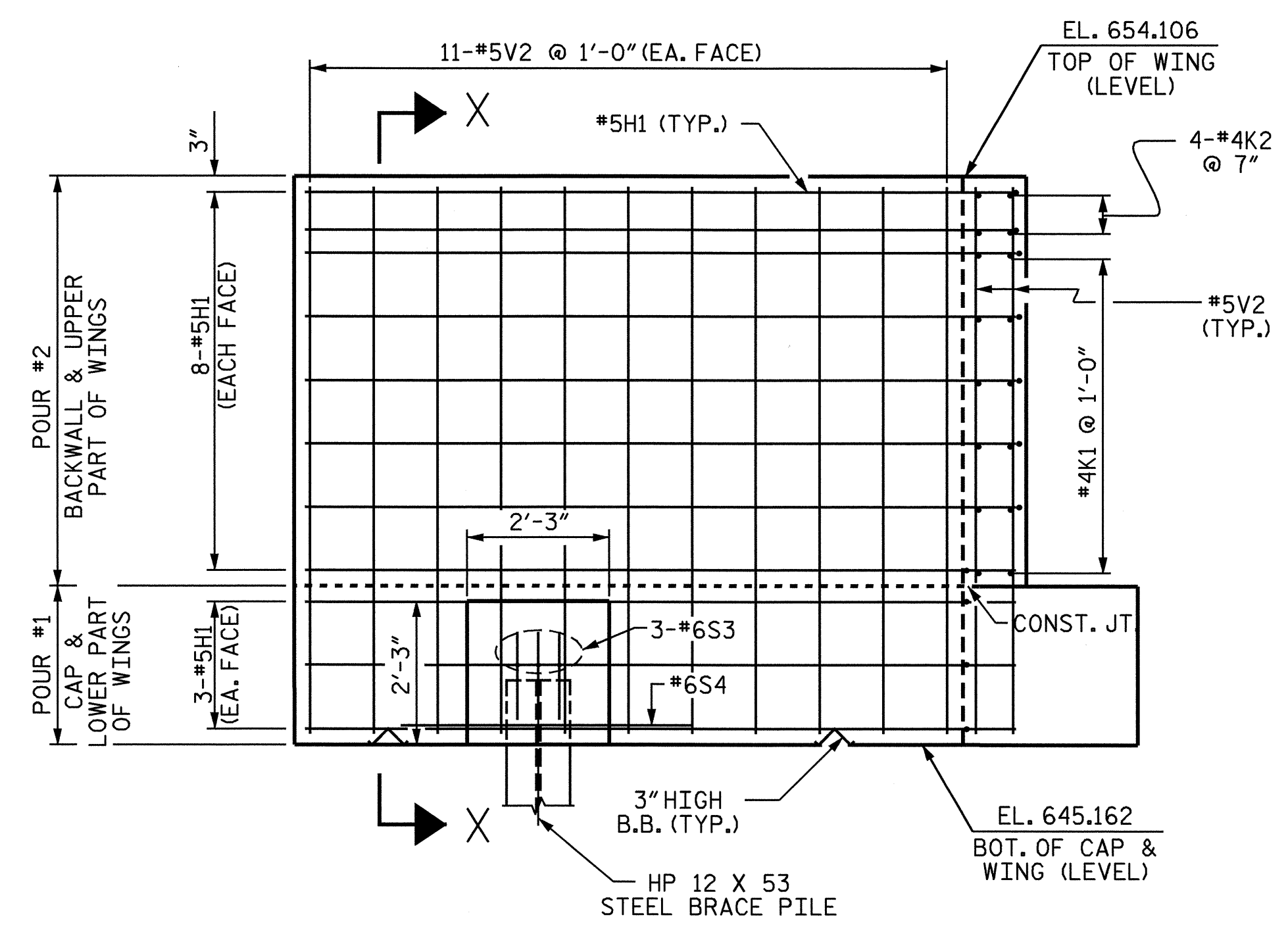
PLAN OF LEFT WING - W1



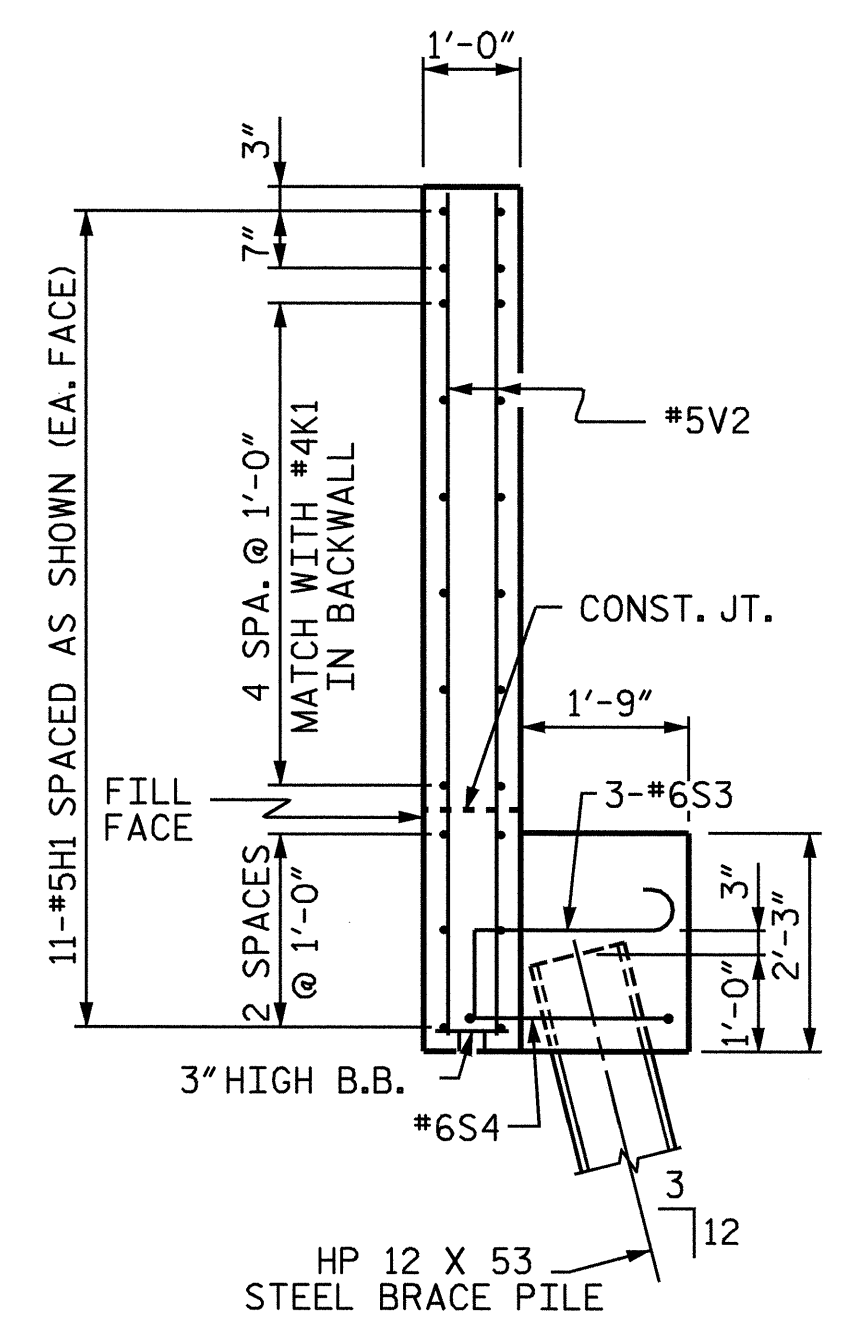
SECTION Y-Y



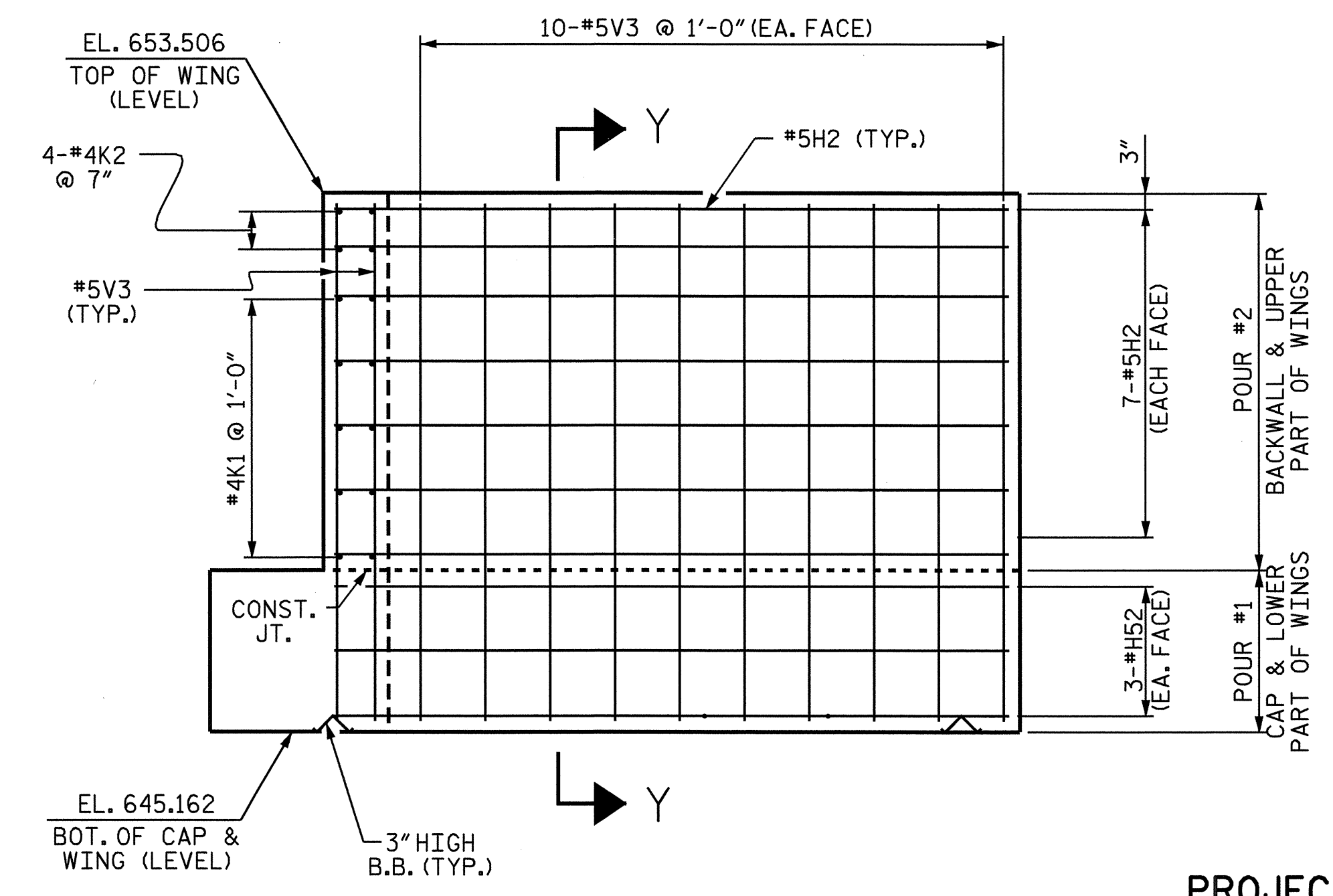
PLAN OF RIGHT WING - W2



ELEVATION OF LEFT WING - W1



SECTION X-X



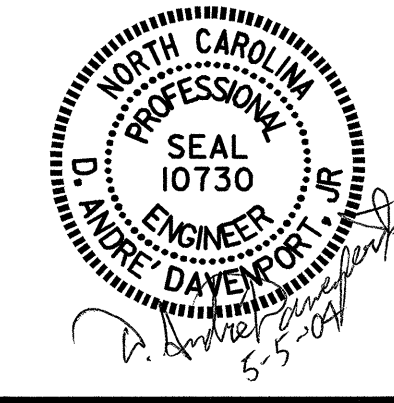
ELEVATION OF RIGHT WING - W2

PROJECT NO. B-4334
 DAVIDSON COUNTY
 STATION: 27+49.00 -L-

SHEET 2 OF 3

STATE OF NORTH CAROLINA
 DEPARTMENT OF TRANSPORTATION
 RALEIGH

SUBSTRUCTURE
 END BENT #2



REVISIONS						SHEET NO. S-25
NO.	BY:	DATE:	NO.	BY:	DATE:	
1			3			TOTAL SHEETS 34
2			4			

DRAWN BY: D. G. ELY / DAD DATE: 4/03
 CHECKED BY: D. A. DAVENPORT DATE: 9/03