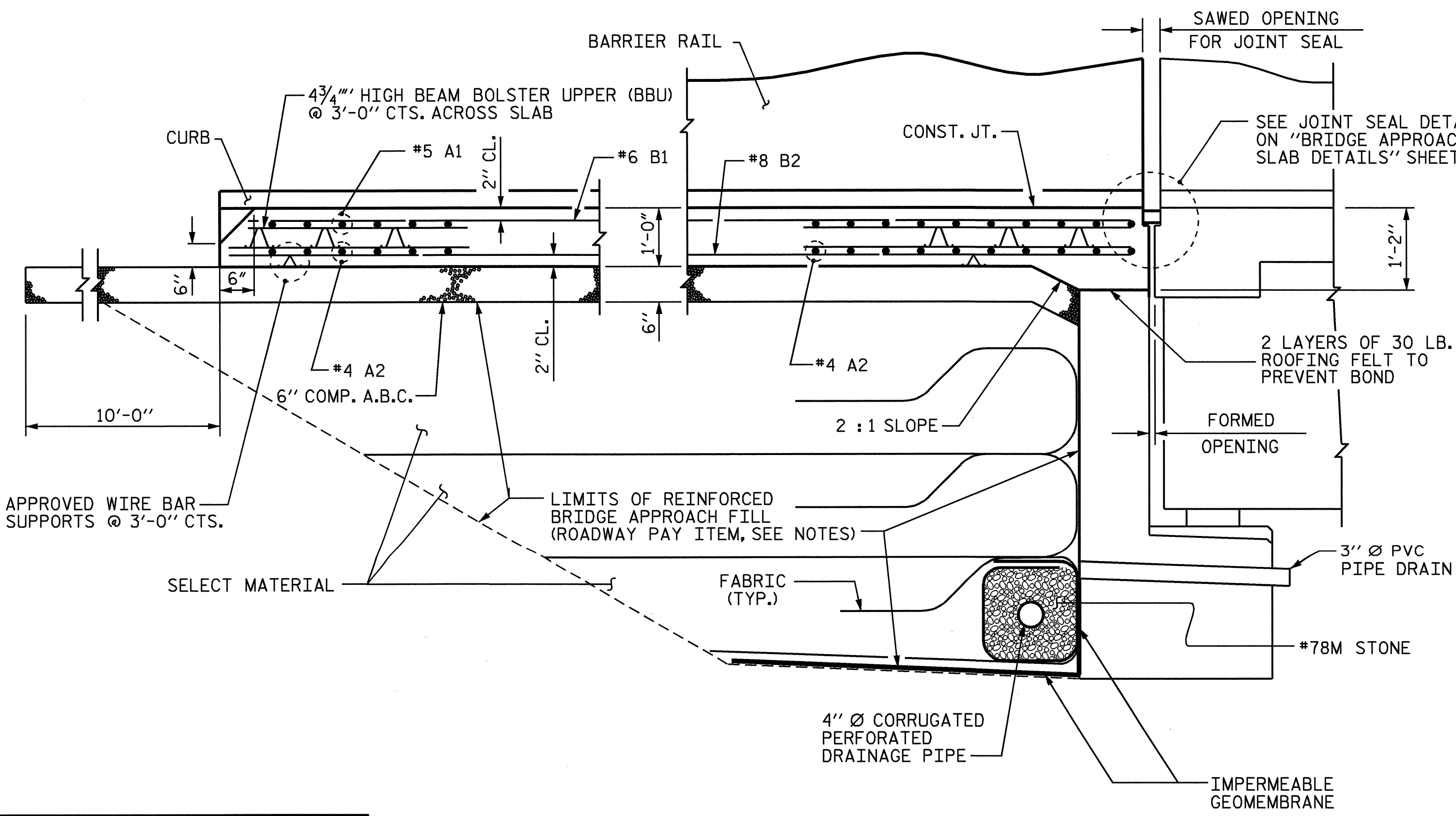


PLAN

*** DIMENSIONS ARE TO CIRCLES CONCENTRIC WITH C -L-



SECTION THRU SLAB

ASSEMBLED BY :	M. M. PARSONS/DADDATE	4-21-04
CHECKED BY :	D. G. ELY/MGP	DATE : 4-04
DRAWN BY :	FCJ	6/87
CHECKED BY :	EGA	6/87
REV. 8/16/99	RWW/LES	
REV. 10/17/00	RWW/LES	
REV. 7/10/01R	LES/RDR	

NOTES

THE COST OF THE BARRIER RAIL ON THE APPROACH SLAB SHALL BE INCLUDED IN THE LUMP SUM CONTRACT PRICE BID FOR BRIDGE APPROACH SLABS.

APPROACH SLAB SHALL NOT BE CONSTRUCTED PRIOR TO COMPLETION OF THE BRIDGE DECK.

FOR REINFORCED BRIDGE APPROACH FILL INCLUDING FABRIC, IMPERMEABLE GEOMEMBRANE, 4" Ø DRAINAGE PIPE, #78M STONE, AND SELECT MATERIAL, SEE ROADWAY PLANS.

TEMPORARY DRAINAGE AND TEMPORARY BERM AND SLOPE DRAINS WILL BE PAID FOR UNDER THE LUMP SUM PRICE FOR BRIDGE APPROACH SLAB.

AREA BETWEEN THE WINGWALL AND APPROACH SLAB SHALL BE GRADED TO DRAIN THE WATER AWAY FROM THE FILL FACE OF THE BRIDGE AND SHALL BE PAVED. SEE ROADWAY PLANS.

THE 6" COMP. A.B.C. SHALL EXTEND 10'-0" BEYOND THE END OF THE APPROACH SLAB AND 1'-0" OUTSIDE OF EACH EDGE OF SLAB.

THE CONTRACTOR MAY USE 4" TYPE B-25.08 ASPHALT CONCRETE BASE COURSE IN LIEU OF 6" COMP. A.B.C. IF THIS OPTION IS USED, THE BASE COURSE SHALL EXTEND 1'-0" BEYOND THE END OF THE APPROACH SLAB AND THE WIDTH SHALL BE THE SAME AS THAT OF THE APPROACH SLAB.

THE CONTRACTOR MAY USE 5" CLASS 'A' CONCRETE BASE IN LIEU OF 6" COMP. A.B.C. IF THIS OPTION IS USED, THE CONCRETE BASE SHALL EXTEND 1'-0" BEYOND THE END OF THE APPROACH SLAB AND THE WIDTH SHALL BE THE SAME AS THAT OF THE APPROACH SLAB. THE CONCRETE SHALL BE FINISHED TO A SMOOTH SURFACE AND A LAYER OF 30 LB ROOFING FELT SHALL BE PLACED BETWEEN THE CONCRETE BASE AND THE APPROACH SLAB TO PREVENT BOND. THE APPROACH SLAB SHALL NOT BE CAST UNTIL THE CONCRETE BASE HAS REACHED AN AGE OF THREE CURING DAYS.

THE JOINT SHALL BE SAWS PRIOR TO THE CASTING OF THE BARRIER RAIL.

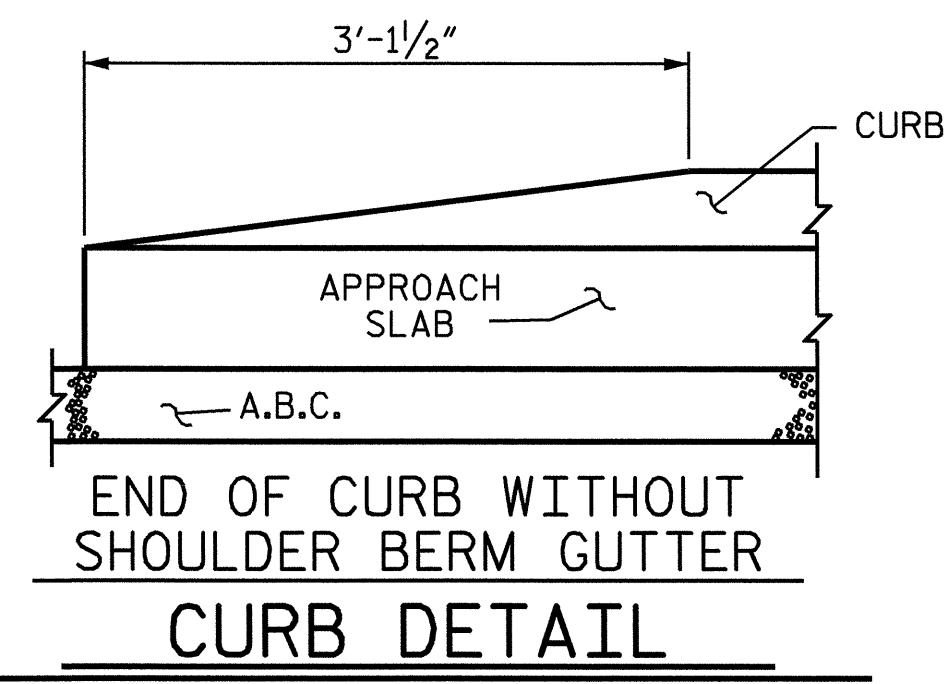
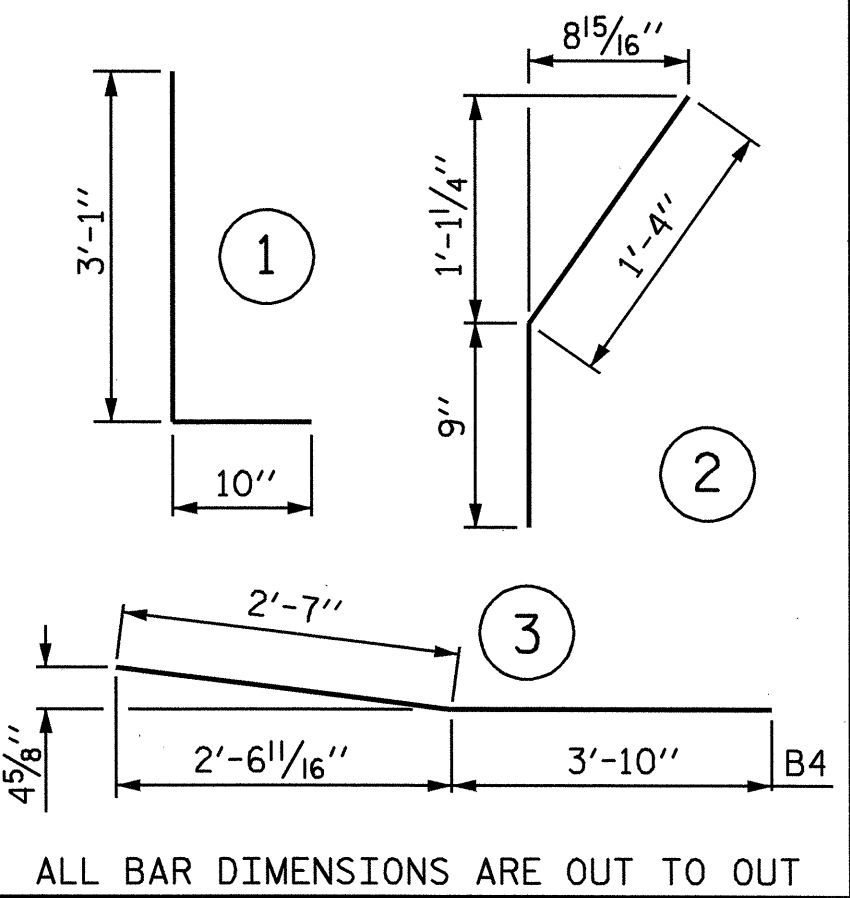
FOR EVAZOTE JOINT SEALS, SEE SPECIAL PROVISIONS.

THE NOMINAL UNCOMPRESSED SEAL WIDTH OF THE EVAZOTE JOINT SEAL SHALL BE 2 3/16" AT END BENT #2 AND 2 1/2" AT END BENT #1.

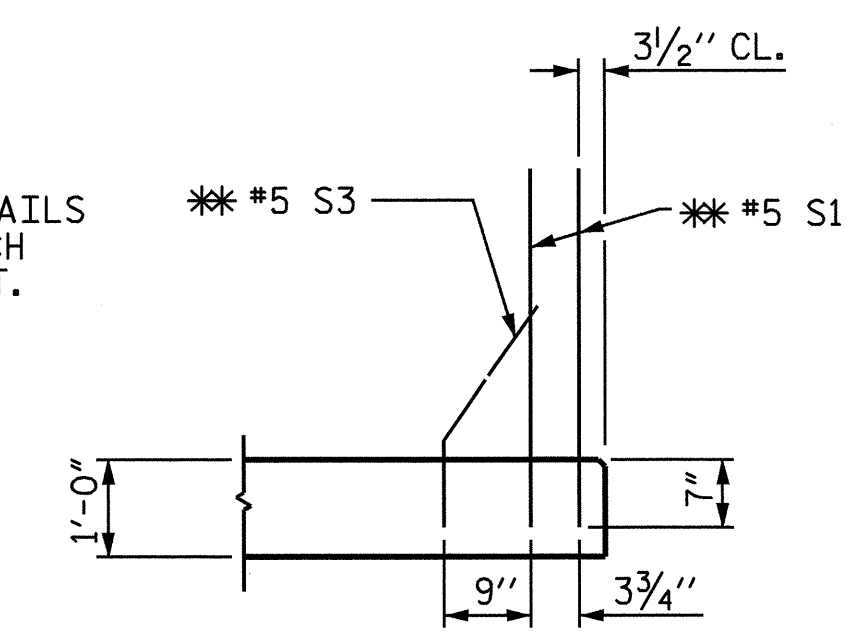
BILL OF MATERIAL

FOR ONE APPROACH SLAB (2 REQ'D)					
BAR	NO.	SIZE	TYPE	LENGTH	WEIGHT
*A1	49	#5	STR	32'-6"	1661
A2	98	#4	STR	17'-4"	1135
*B1	66	#6	STR	24'-3"	2403
B2	66	#8	STR	24'-8"	4347
*B3	14	#5	STR	11'-8"	170
*B4	2	#5	3	6'-5"	13
*S1	56	#5	STR	3'-1"	180
*S2	40	#5	1	3'-11"	163
*S3	20	#5	2	2'-1"	43
REINFORCING STEEL				LBS.	5482
*EPOXY COATED REINFORCING STEEL				LBS.	4633
CLASS AA CONCRETE BREAKDOWN					
POUR 1 SLAB				C. Y.	30.8
POUR 2 RAIL				C. Y.	2.1
CLASS AA CONCRETE				C. Y.	32.9

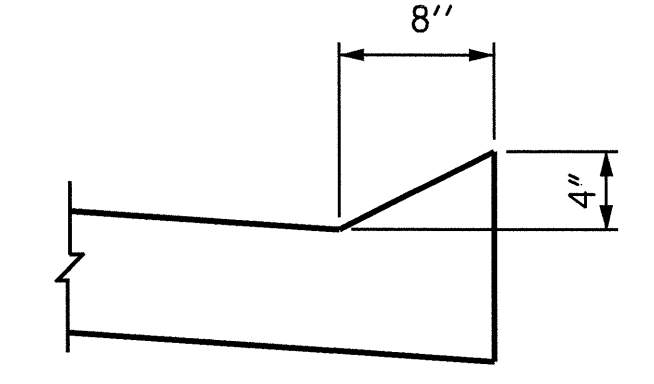
BAR TYPES



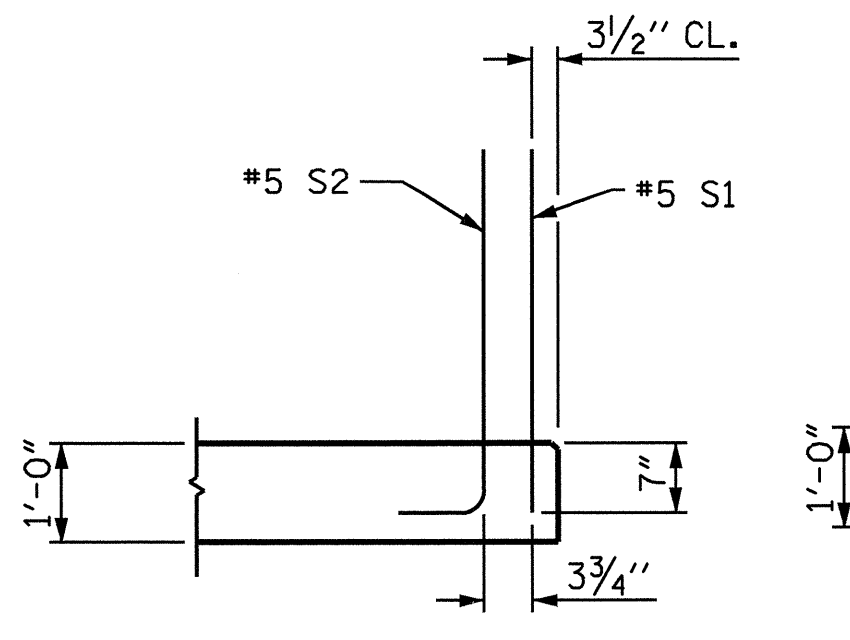
END OF CURB WITHOUT SHOULDER BERM GUTTER CURB DETAIL



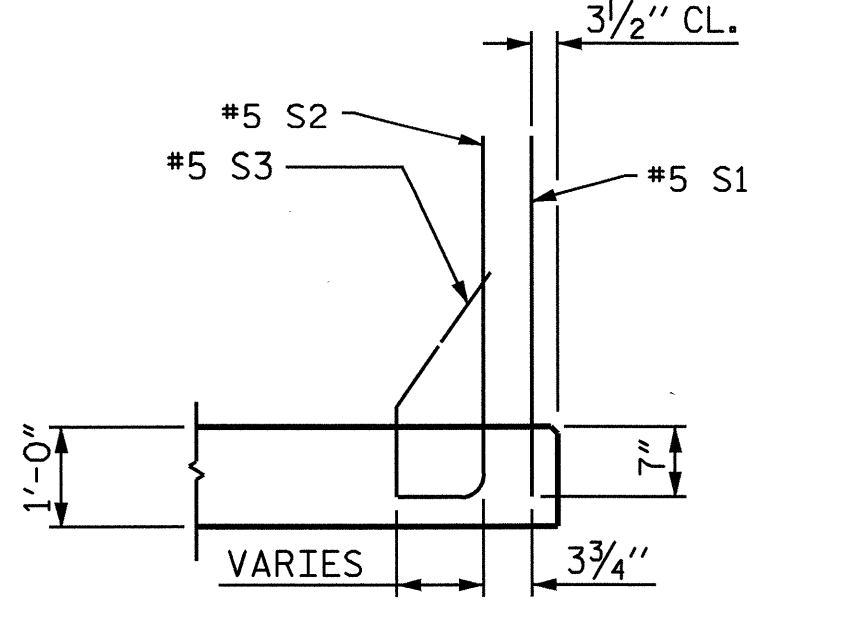
SECTION K-K
* ADHESIVELY ANCHORED



SECTION N-N



SECTION M-M



SECTION L-L

PROJECT NO. B-4334
 DAVIDSON COUNTY
 STATION: 27+49.00 -L-

SHEET 1 OF 3

STATE OF NORTH CAROLINA
 DEPARTMENT OF TRANSPORTATION
 RALEIGH
 STANDARD
 BRIDGE APPROACH SLAB
 FOR FLEXIBLE PAVEMENT
 WITH BARRIER RAIL

REVISIONS					
NO.	BY:	DATE:	NO.	BY:	DATE:
1			3		
2			4		

SHEET NO.	S-29
TOTAL SHEETS	34

