

**NOTES**

FOR ELASTOMERIC BEARINGS, SEE SPECIAL PROVISIONS.

AT ALL FIXED POINTS OF SUPPORT, NUTS FOR ANCHOR BOLTS ARE TO BE TIGHTENED FINGER TIGHT AND THEN BACKED OFF 1/2 TURN. THE THREAD OF THE NUT AND BOLT SHALL THEN BE BURRED WITH A SHARP POINTED TOOL.

THE 2" Ø PIPE SLEEVE SHALL BE CUT FROM SCHEDULE 40 PVC PLASTIC PIPE. THE PVC PLASTIC PIPE SHALL MEET THE REQUIREMENTS OF ASTM D1785.

THE PAYMENT FOR THE PIPE SLEEVES AND 4" Ø X 1 3/4" STD. PIPE ASSEMBLIES SHALL BE INCLUDED IN THE SEVERAL PAY ITEMS.

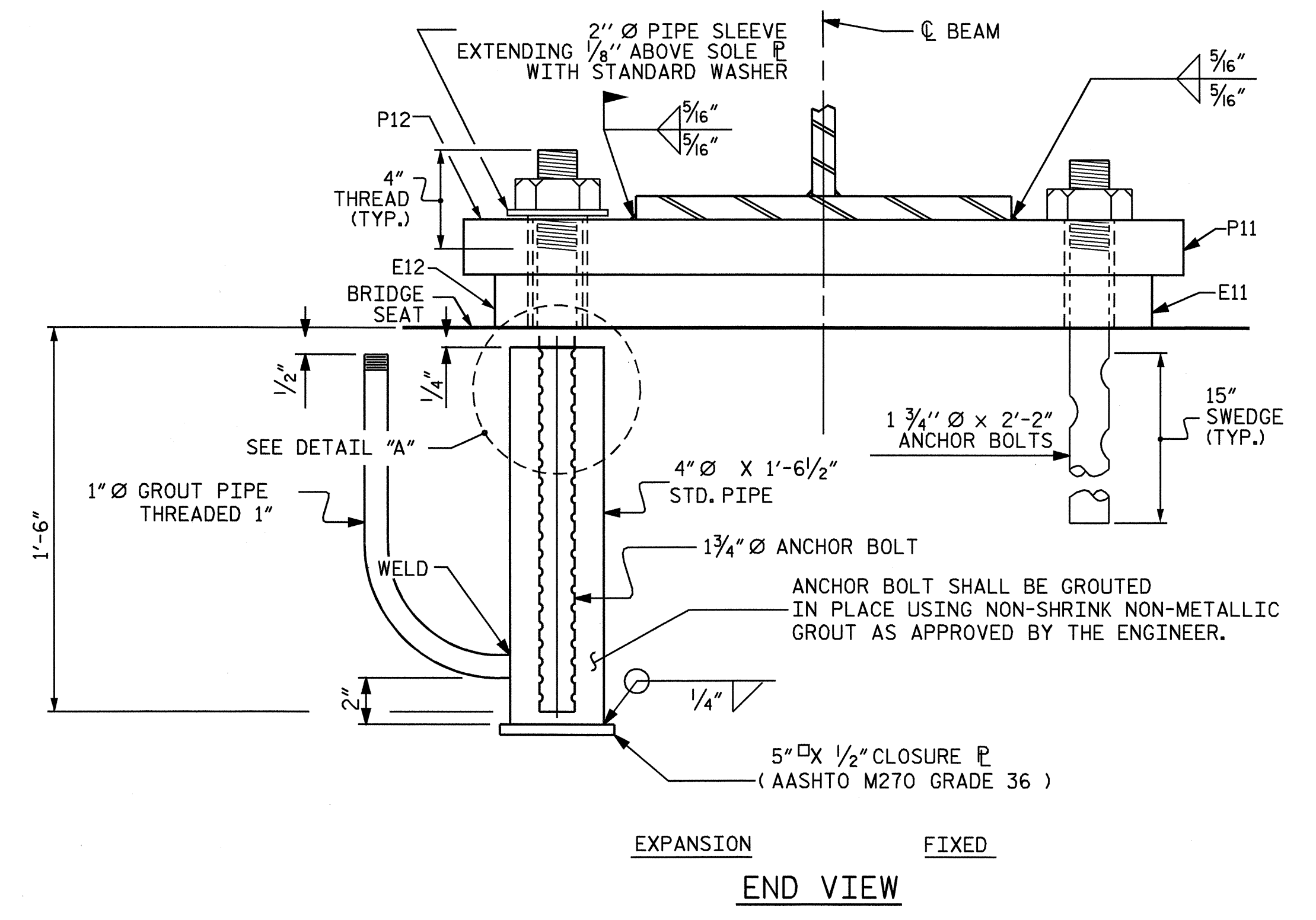
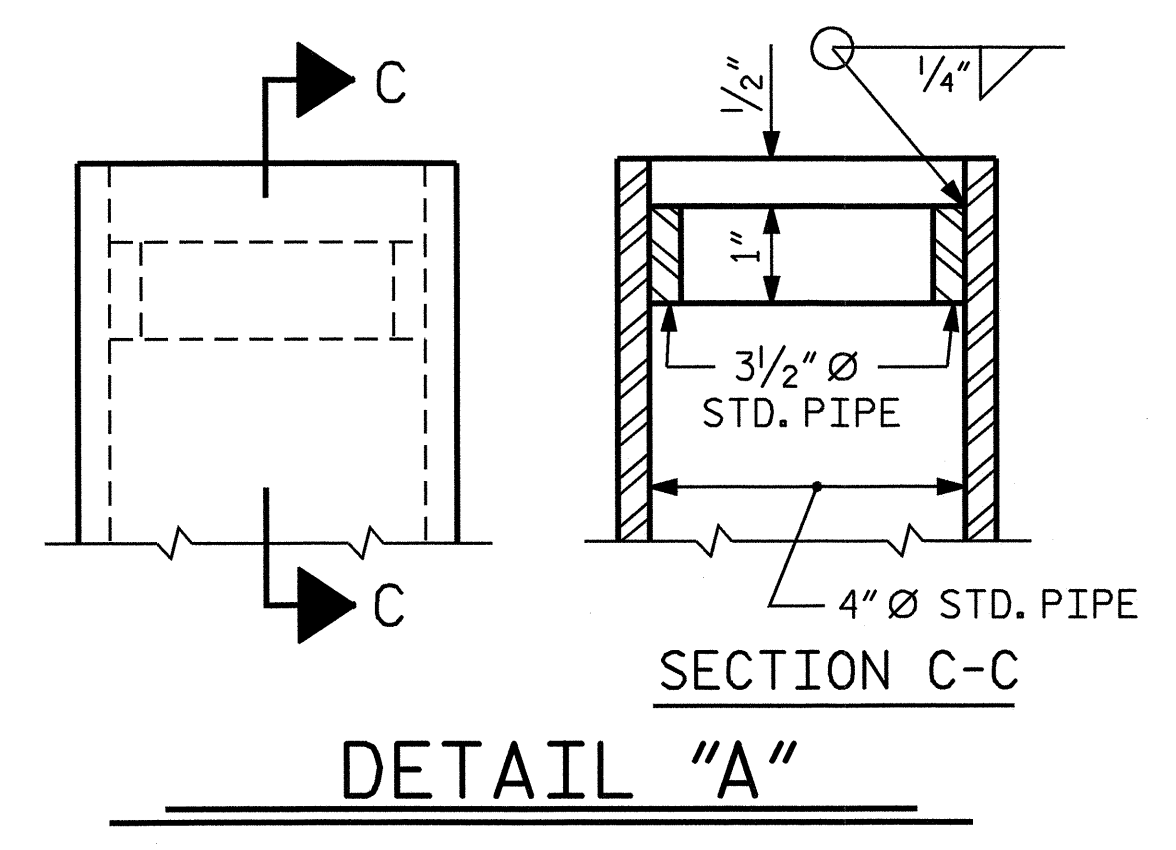
FOR PAINTED STRUCTURAL STEEL (EXCLUDING AASHTO M270 GRADE 50W), SOLE PLATES, ANCHOR BOLTS, NUTS AND WASHERS SHALL BE GALVANIZED IN ACCORDANCE WITH THE STANDARD SPECIFICATIONS.

FOR AASHTO M270 GRADE 50W STRUCTURAL STEEL, SOLE PLATE SHALL BE AASHTO M270 GRADE 50W AND SHALL NOT BE GALVANIZED. ANCHOR BOLTS, NUTS AND WASHERS SHALL BE GALVANIZED IN ACCORDANCE WITH THE STANDARD SPECIFICATIONS.

ANCHOR BOLTS SHALL MEET THE REQUIREMENTS OF ASTM A449. NUTS SHALL MEET THE REQUIREMENTS OF AASHTO M291-DH OR AASHTO M292-2H. WASHERS SHALL MEET THE REQUIREMENTS OF AASHTO M293. SHOP DRAWINGS ARE NOT REQUIRED FOR ANCHOR BOLTS, NUTS AND WASHERS. SHOP INSPECTION IS REQUIRED.

WHEN FIELD WELDING THE SOLE PLATE TO THE GIRDER FLANGE, USE TEMPERATURE INDICATING WAX PENS, OR OTHER SUITABLE MEANS, TO ENSURE THAT THE TEMPERATURE OF THE SOLE PLATE DOES NOT EXCEED 300°F. TEMPERATURES ABOVE THIS MAY DAMAGE THE ELASTOMER.

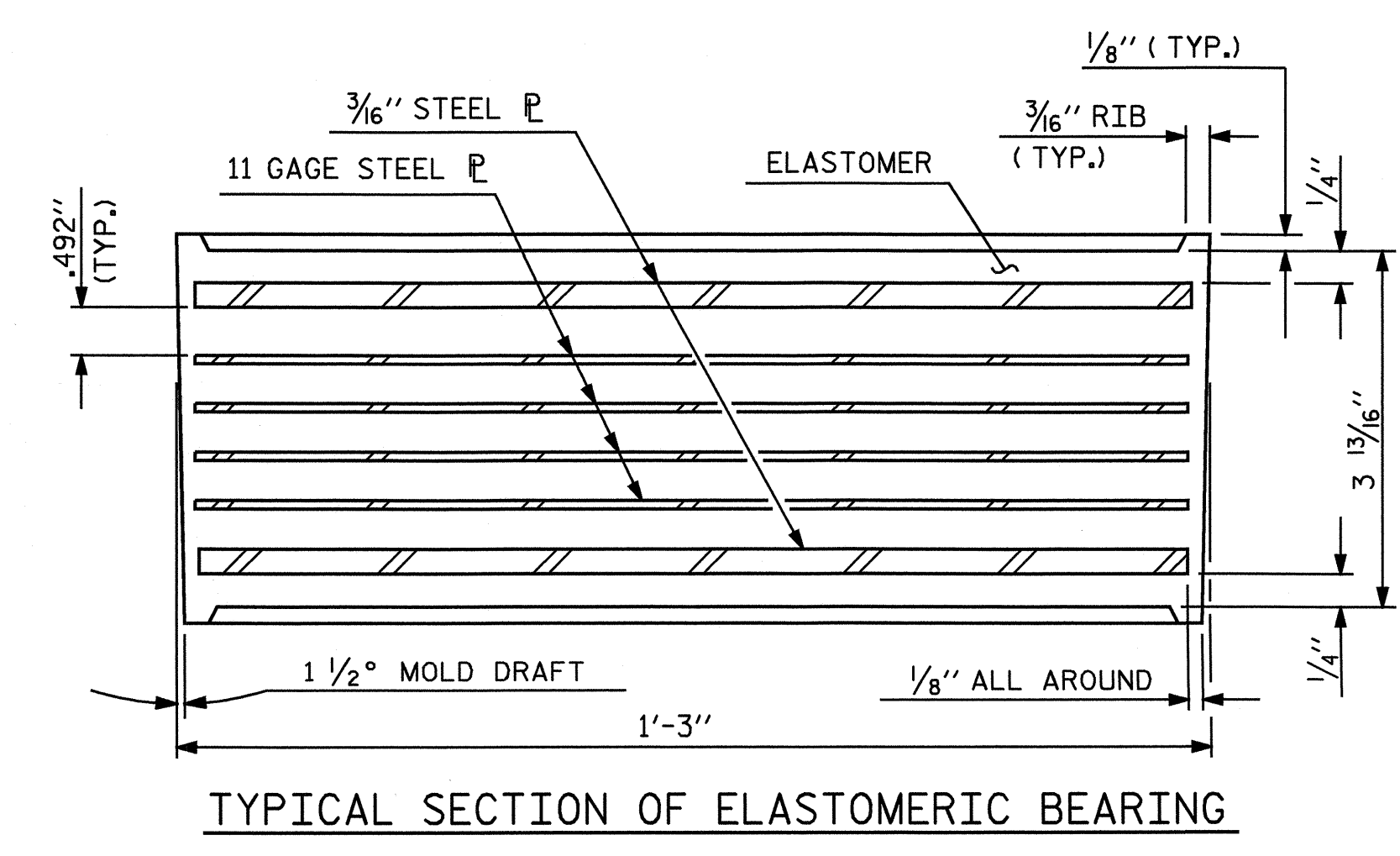
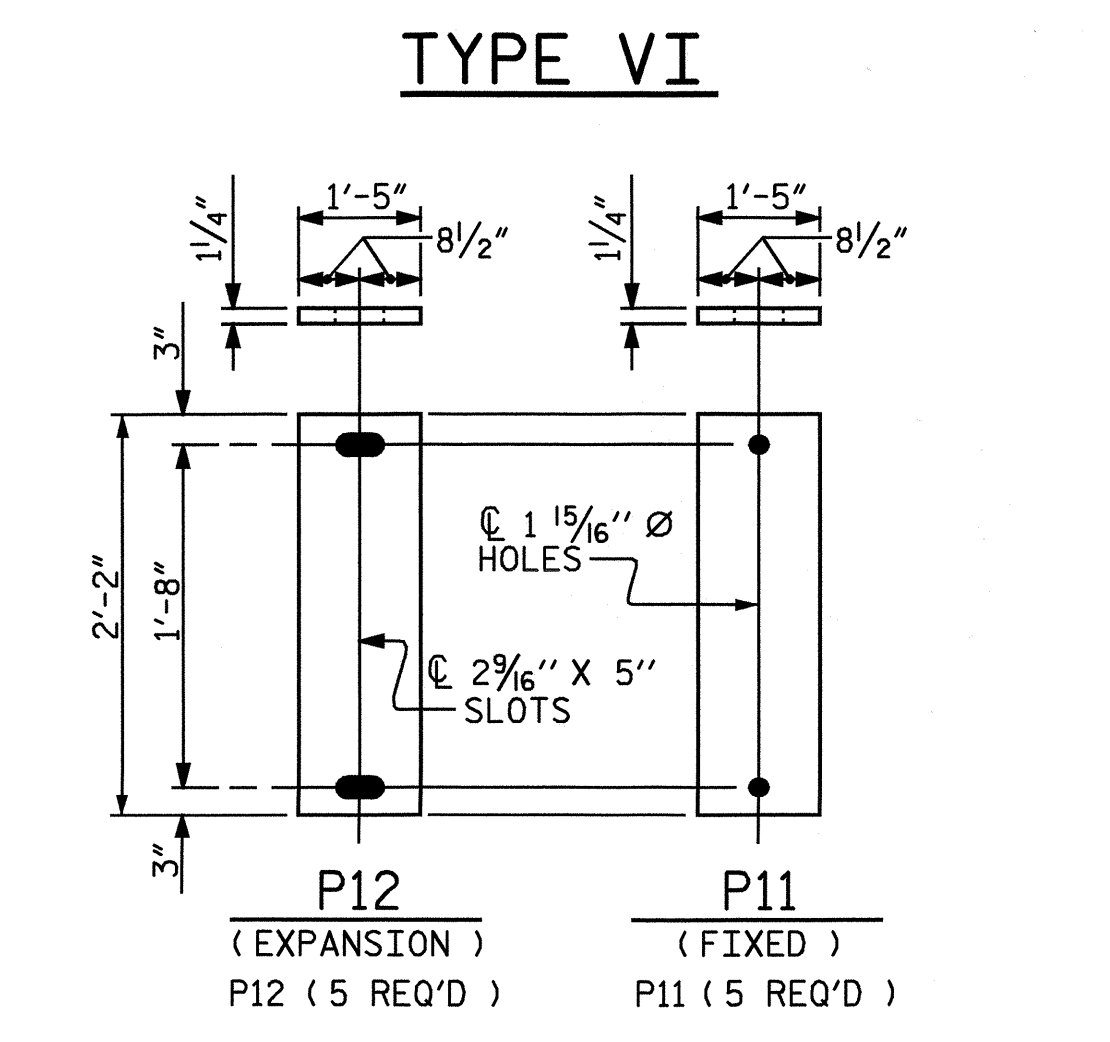
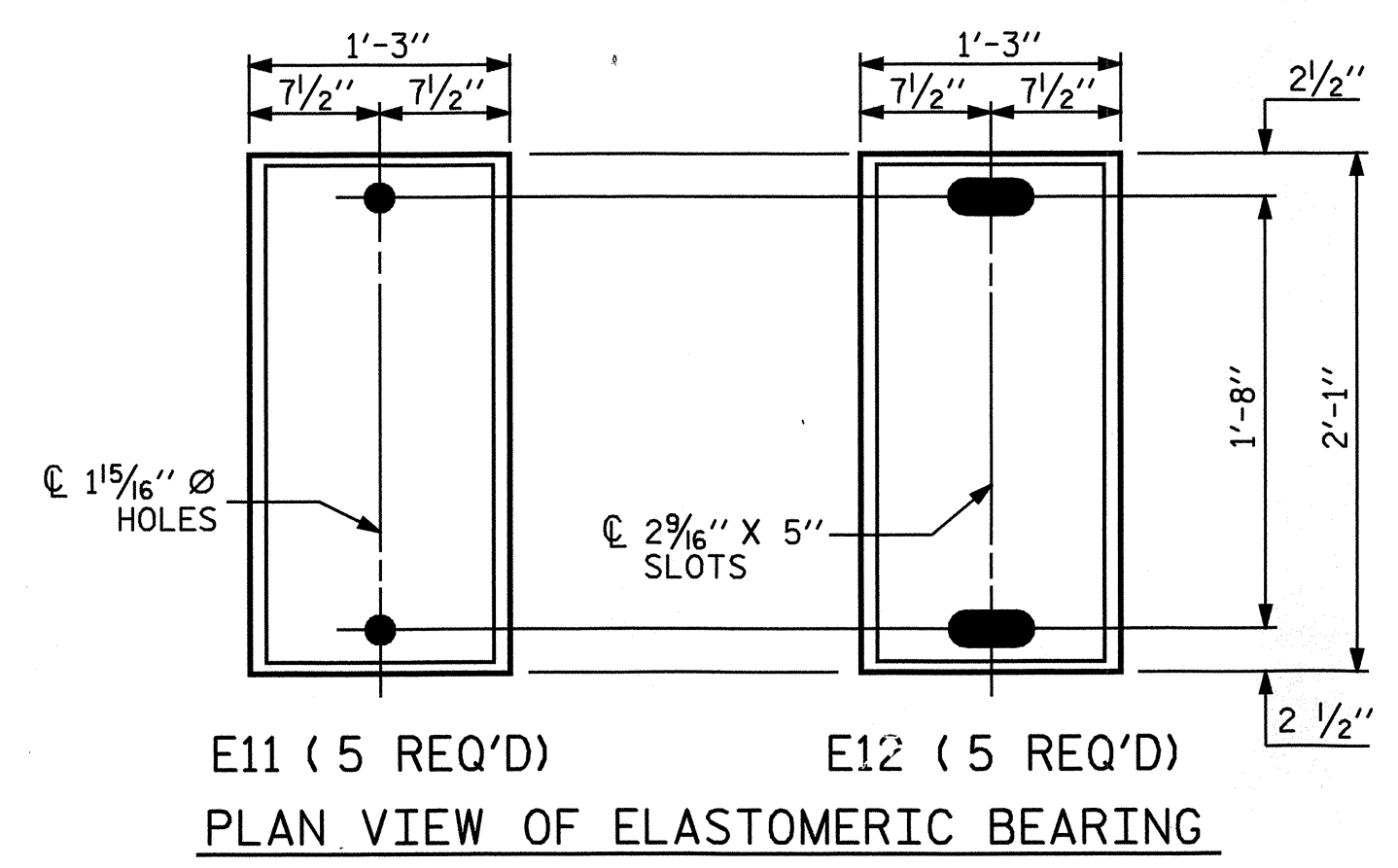
ALL SURFACES OF BEARING PLATES SHALL BE SMOOTH AND STRAIGHT.



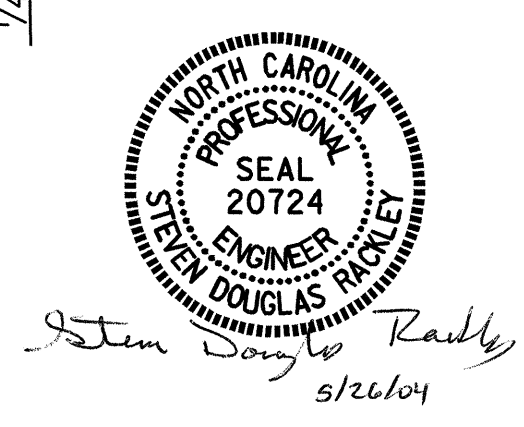
THE CONTRACTOR'S ATTENTION IS CALLED TO THE FACT THAT:

1. THE EXPANSION ANCHOR BOLTS SHALL BE GROUDED PRIOR TO PLACING THE FALSEWORK.
2. ONCE THE DECK HAS BEEN POURED AND HAS CURED, GIRDERS SHALL BE JACKED AND SOLE PLATES AND ELASTOMERIC BEARING SLOTS SHALL BE CENTERED ABOUT THE ANCHOR BOLTS. THIS OPERATION SHALL BE PERFORMED AT APPROXIMATELY 60°.
3. THE SOLE PLATES SHALL BE FIELD WELDED TO THE GIRDER FLANGES.

- LOAD RATINGS -	
TYPE VI	MAX.D.L.+ L.L. 262 k



PROJECT NO. B-3419  
BURKE COUNTY  
STATION: 20+15.00 -L-



STATE OF NORTH CAROLINA  
DEPARTMENT OF TRANSPORTATION  
RALEIGH  
STANDARD  
**ELASTOMERIC BEARING**  
DETAILS  
(STEEL SUPERSTRUCTURE)

ASSEMBLED BY : A.R.CHESSON	DATE : 8-03
CHECKED BY : S.H.SOCKWELL	DATE : 9-10-03
DRAWN BY : EEM 10/95	REV. 8/16/99 MAB/LES
CHECKED BY : PEK 10/95	REV. 10/17/00 RWW/LES
	REV. 7/10/01 LES/RDR

OCTOBER		1996	
REVISIONS			
NO.	BY:	DATE:	SHEET NO.
1			S-10
2			TOTAL SHEETS 23