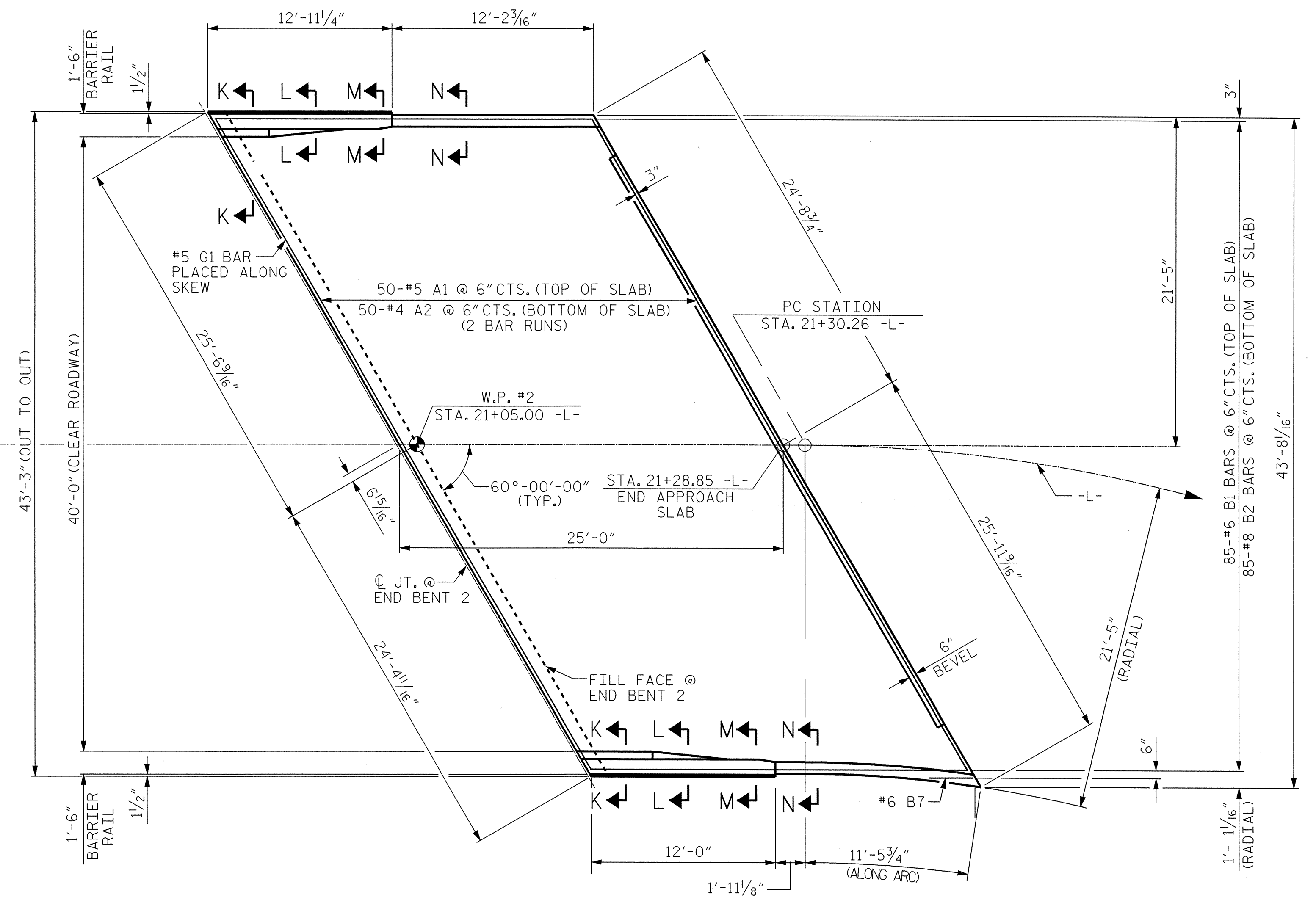
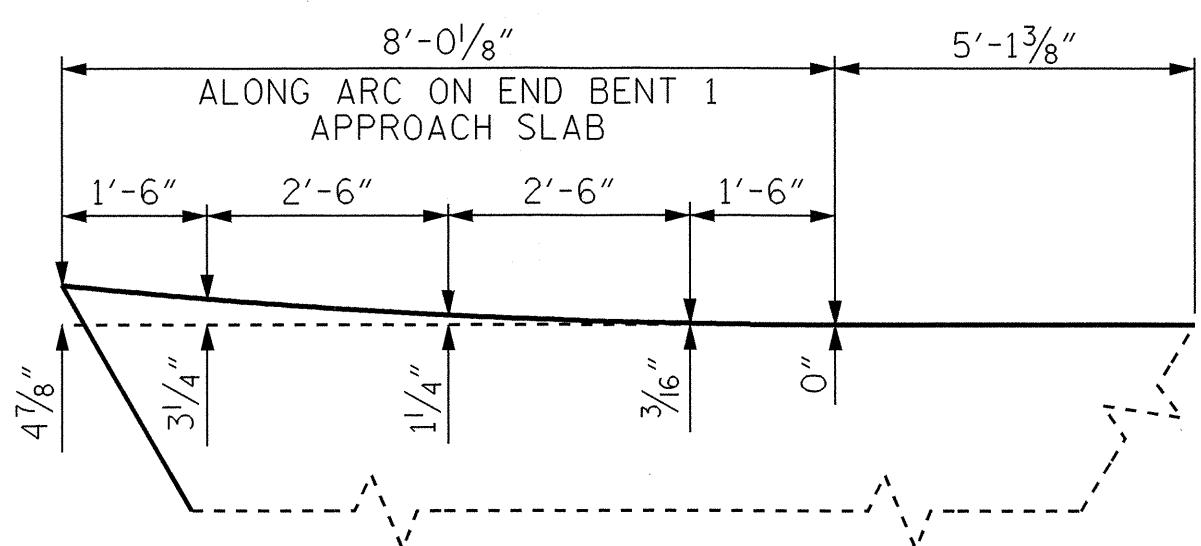


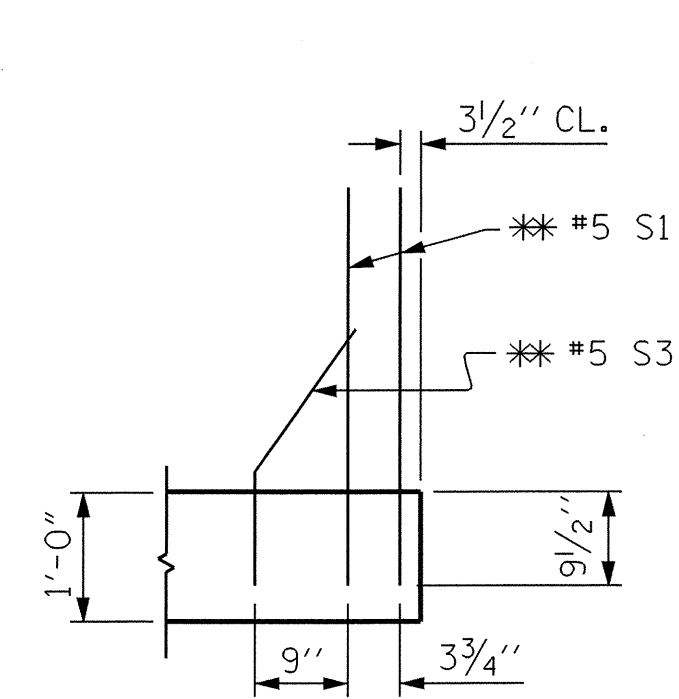
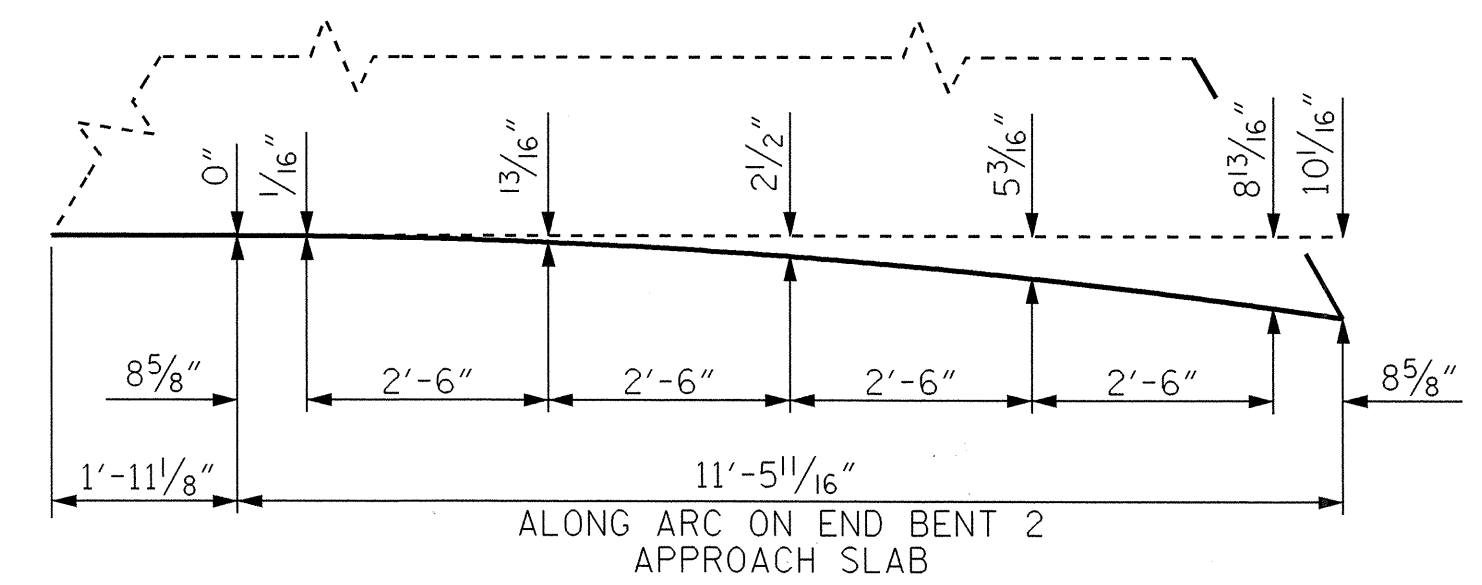
PLAN OF APPROACH SLAB @ END BENT 1



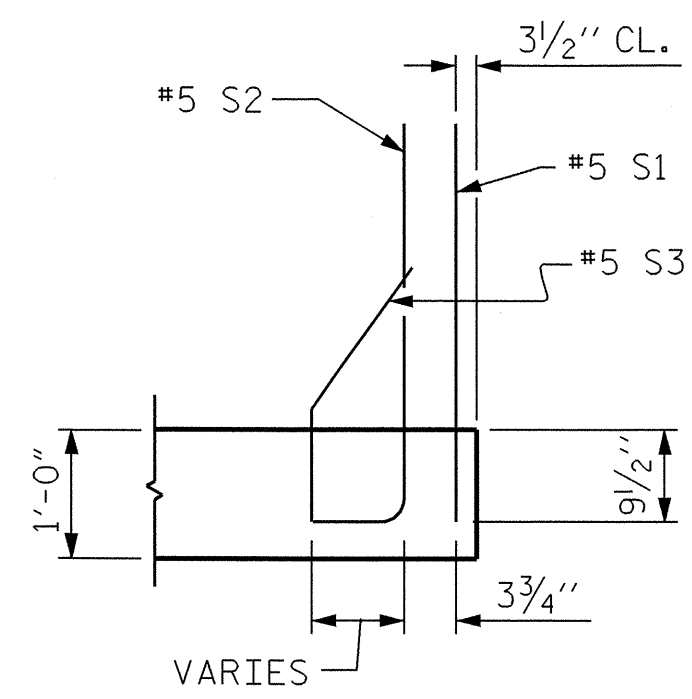
PLAN OF APPROACH SLAB @ END BENT 2



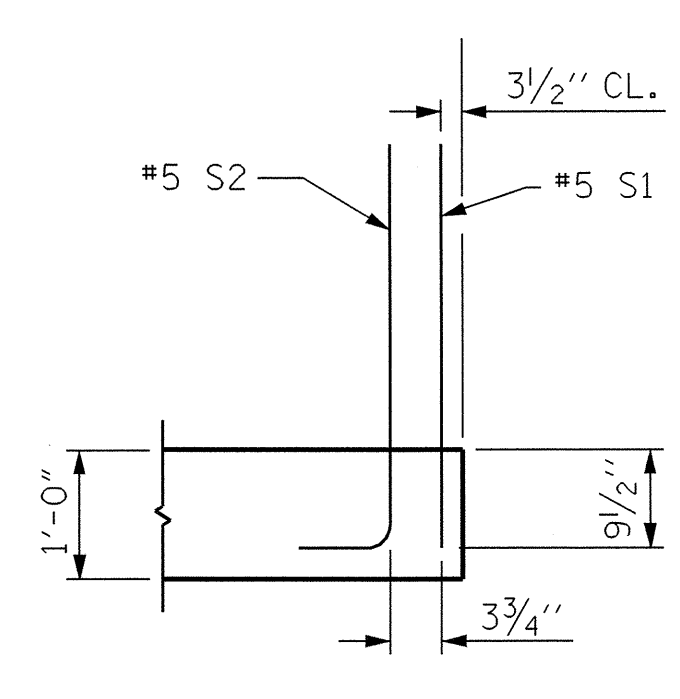
OFFSETS TO CURVE PORTION OF APPROACH SLABS



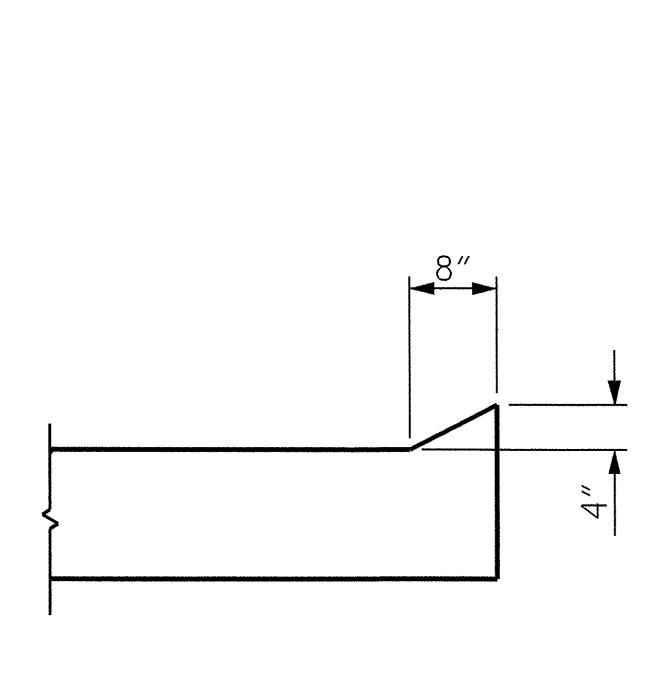
SECTION K-K



SECTION L-L



SECTION M-M



SECTION N-N



PROJECT NO. B-3419
BURKE COUNTY
 STATION: 20+15.00 -L-

SHEET 2 OF 4

STATE OF NORTH CAROLINA DEPARTMENT OF TRANSPORTATION RALEIGH					
BRIDGE APPROACH SLAB FOR FLEXIBLE PAVEMENT WITH BARRIER RAIL					
REVISIONS					
NO.	BY:	DATE:	NO.	BY:	DATE:
1			3		
2			4		
SHEET NO. S-21					TOTAL SHEETS 23

DRAWN BY: M.K. BEARD DATE: 3/26/04
 CHECKED BY: R.L. CHESSON DATE: 4/19/04