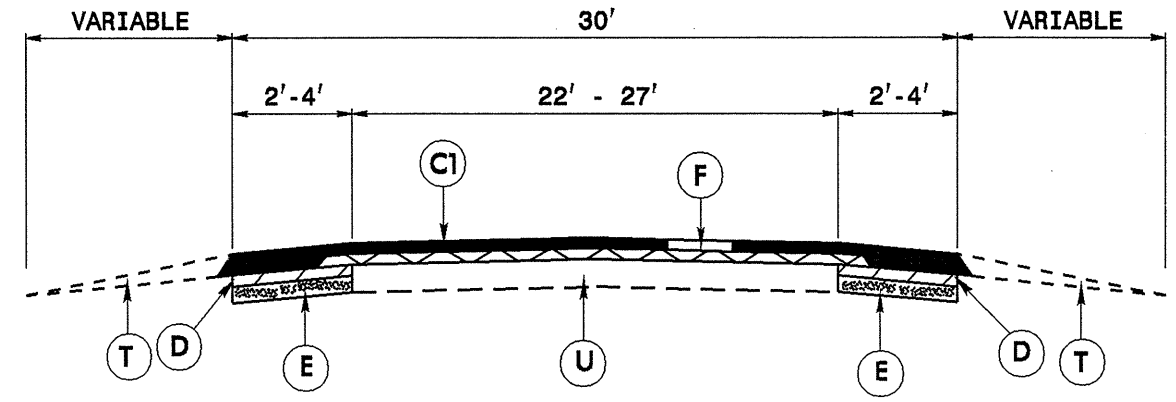


8/17/99

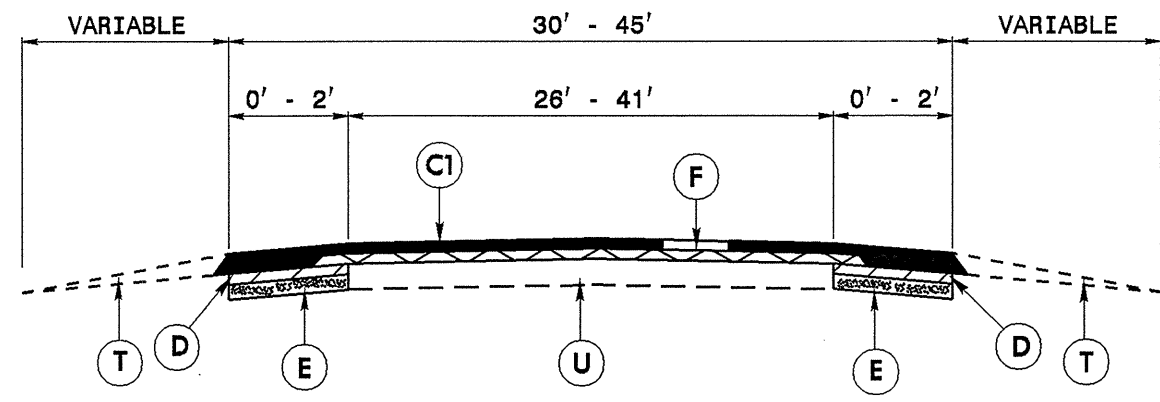


TYPICAL SECTION NO. 1

FROM APPROX. 260 FT. SOUTH OF FIRST ST. TO APPROX. 375 FT. SOUTH OF THE RADIUS AT JIMMY KERR RD.

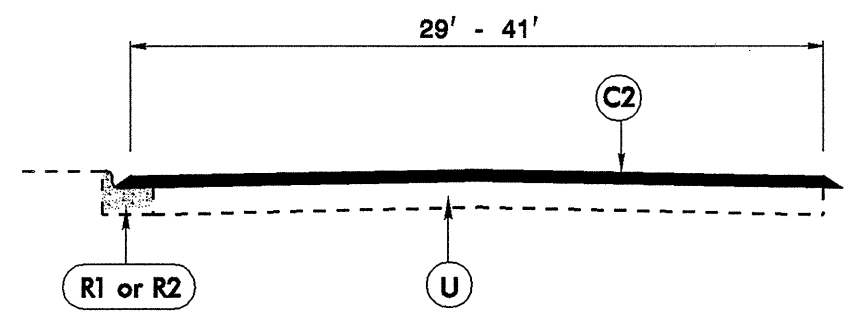
FROM APPROX. 440 FT. NORTH OF JIMMY KERR RD. TO WILBA ST.

FROM APPROX. 527 FT. SOUTH OF SEVENTH ST. TO THE ALAMANCE /ORANGE COUNTY LINE.

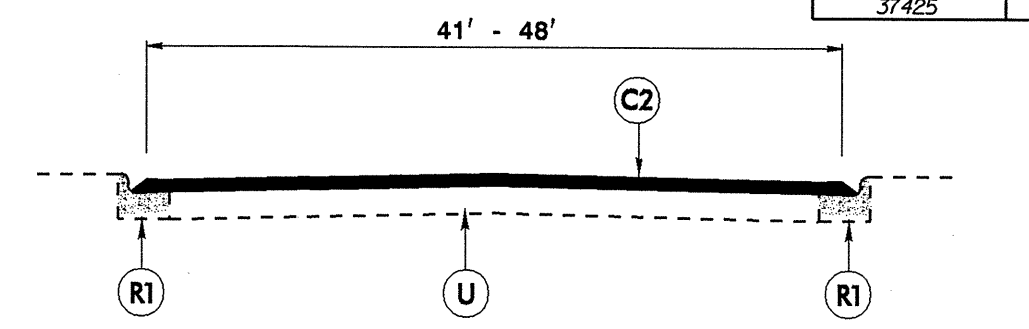


TYPICAL SECTION NO. 2

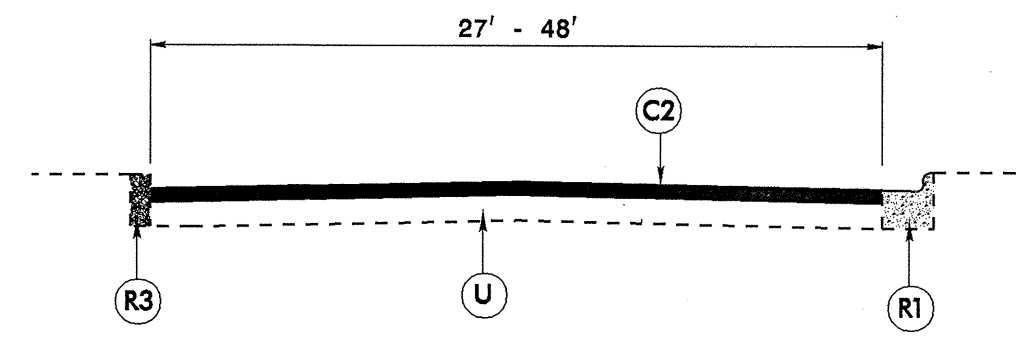
FROM APPROX. 375 FT. SOUTH OF THE RADIUS AT JIMMY KERR RD. TO APPROX. 440 FT. NORTH OF JIMMY KERR RD.



TYPICAL SECTION NO. 3
FROM WILBA ST. TO N. SECOND ST.



TYPICAL SECTION NO. 4
FROM N. SECOND ST. TO NC 119



TYPICAL SECTION NO. 5
FROM NC 119 TO APPROX. 527 FT. SOUTH OF SEVENTH ST.

PAVEMENT SCHEDULE

C1	PROP. APPROX. 2 1/2" ASPHALT CONCRETE SURFACE COURSE, TYPE S9.5C, AT AN AVERAGE RATE OF 140 LBS. PER SQ. YD. IN EACH OF TWO LAYERS.
C2	PROP. APPROX. 1 1/2" ASPHALT CONCRETE SURFACE COURSE, TYPE S9.5C, AT AN AVERAGE RATE OF 168 LBS. PER SQ. YD.
D	PROP. APPROX. 2 1/2" ASPHALT CONCRETE INTERMEDIATE COURSE, TYPE I19.0C, AT AN AVERAGE RATE OF 285 LBS. PER SQ. YD.
E	PROP. APPROX. 8" ASPHALT CONCRETE BASE COURSE, TYPE B25.0C, AT AN AVERAGE RATE OF 456 LBS. PER SQ. YD. IN EACH OF TWO LAYERS.
F	ASPHALT SURFACE TREATMENT, NO. 78M STONE
R1	2'-6" CONCRETE CURB AND GUTTER.
R2	CONCRETE DITCH
R3	GRANITE CURB.
T	EARTH MATERIAL. (SHOULDER RECONSTRUCTION)
U	EXISTING PAVEMENT.

REVISIONS