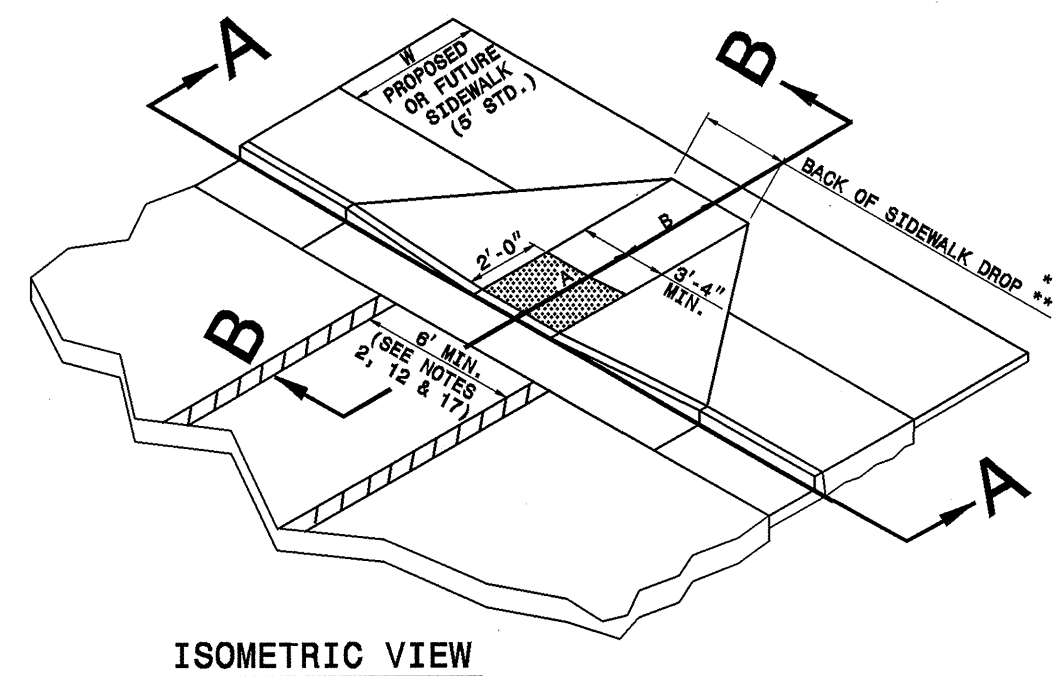
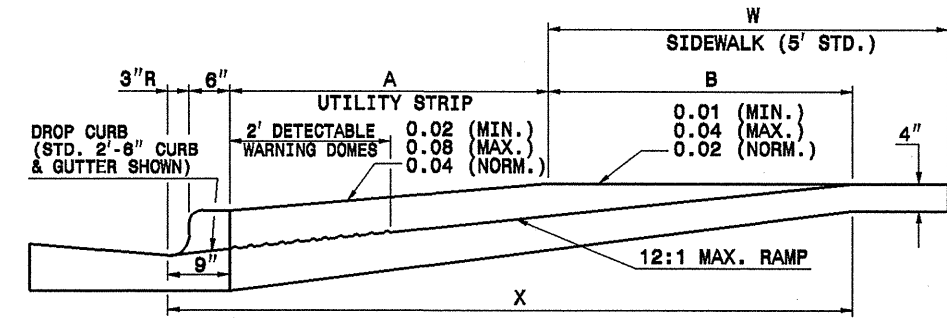


STATE OF NORTH CAROLINA  
DEPT. OF TRANSPORTATION  
DIVISION OF HIGHWAYS  
RALEIGH, N.C.

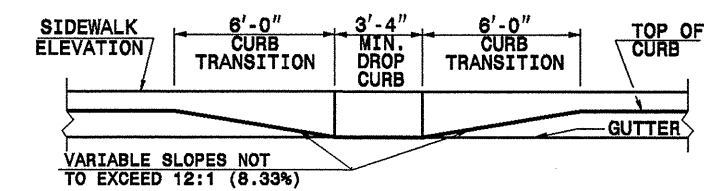
ENGLISH DETAIL DRAWING FOR  
**WHEELCHAIR RAMP**  
CURB CUT



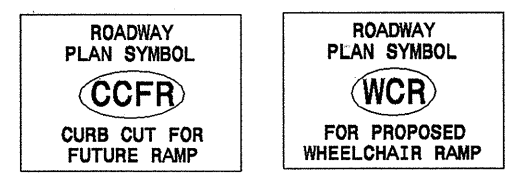
**ISOMETRIC VIEW**



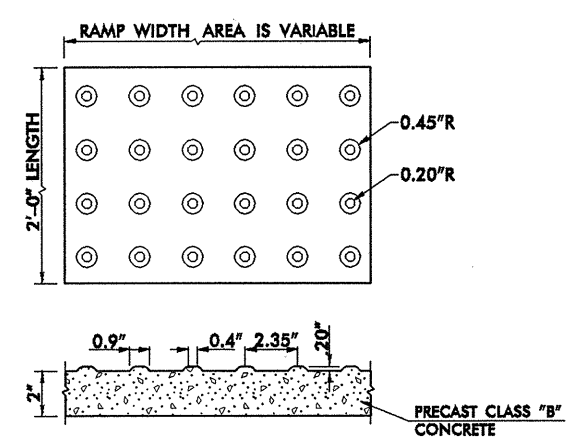
**SECTION B-B**



**SECTION A-A**



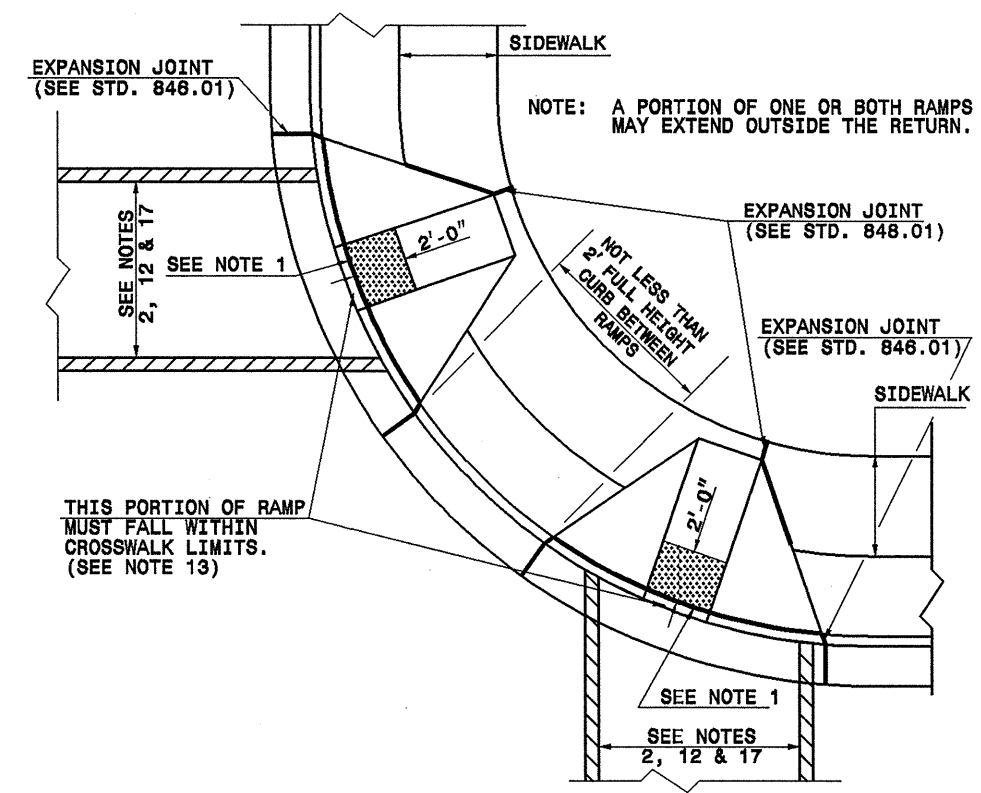
- NOTES:
1. DETECTABLE WARNING DOMES SHALL COVER 2'-0" LENGTH AND FULL WIDTH OF THE RAMP FLOOR AS SHOWN ON THE DETAILS.
  2. THE RAMP MAY BE YELLOW IN COLOR OR ANY COLOR WITH A 70% CONTRAST RATIO.



**DETECTABLE WARNING DOMES**

W	A	W+A+9"	X	B
5'	0.0'	5.8'	5.8'	5.0'*
6'	0.0'	6.8'	6.8'	6.0'***
7'	0.0'	7.8'	7.3'	6.5'***
8'	0.0'	8.8'	7.3'	6.5'***
5'	2.0'	7.8'	7.8'	5.0'
5'	2.5'	8.3'	8.1'	4.8'
5'	3.0'	8.8'	8.3'	4.4'
5'	3.5'	9.3'	8.4'	4.1'
5'	4.0'	9.8'	8.6'	3.8'
5'	4.5'	10.3'	8.7'	3.4'
5'	5.0'	10.8'	8.9'	3.1'

$B = X - (A + 9")$   
 B = DISTANCE FROM FRONT EDGE OF SIDEWALK TO BACK POINT OF 12:1 (8.33%) SLOPE.  
 \* BACK OF SIDEWALK DROP REQUIRED FOR ALL SIDEWALK SLOPES.  
 \*\* BACK OF SIDEWALK DROP REQUIRED FOR SIDEWALK SLOPES 0.04.



**PLAN VIEW**  
DUAL RAMPS  
ANY RADIUS  
(40" MIN. FLOOR WIDTH)

STATE OF NORTH CAROLINA  
DEPT. OF TRANSPORTATION  
DIVISION OF HIGHWAYS  
RALEIGH, N.C.

ENGLISH DETAIL DRAWING FOR  
**WHEELCHAIR RAMP**  
CURB CUT

10-SEP-2004 14:41 C:\projects\04\37425\WheelChair\_L.dgn