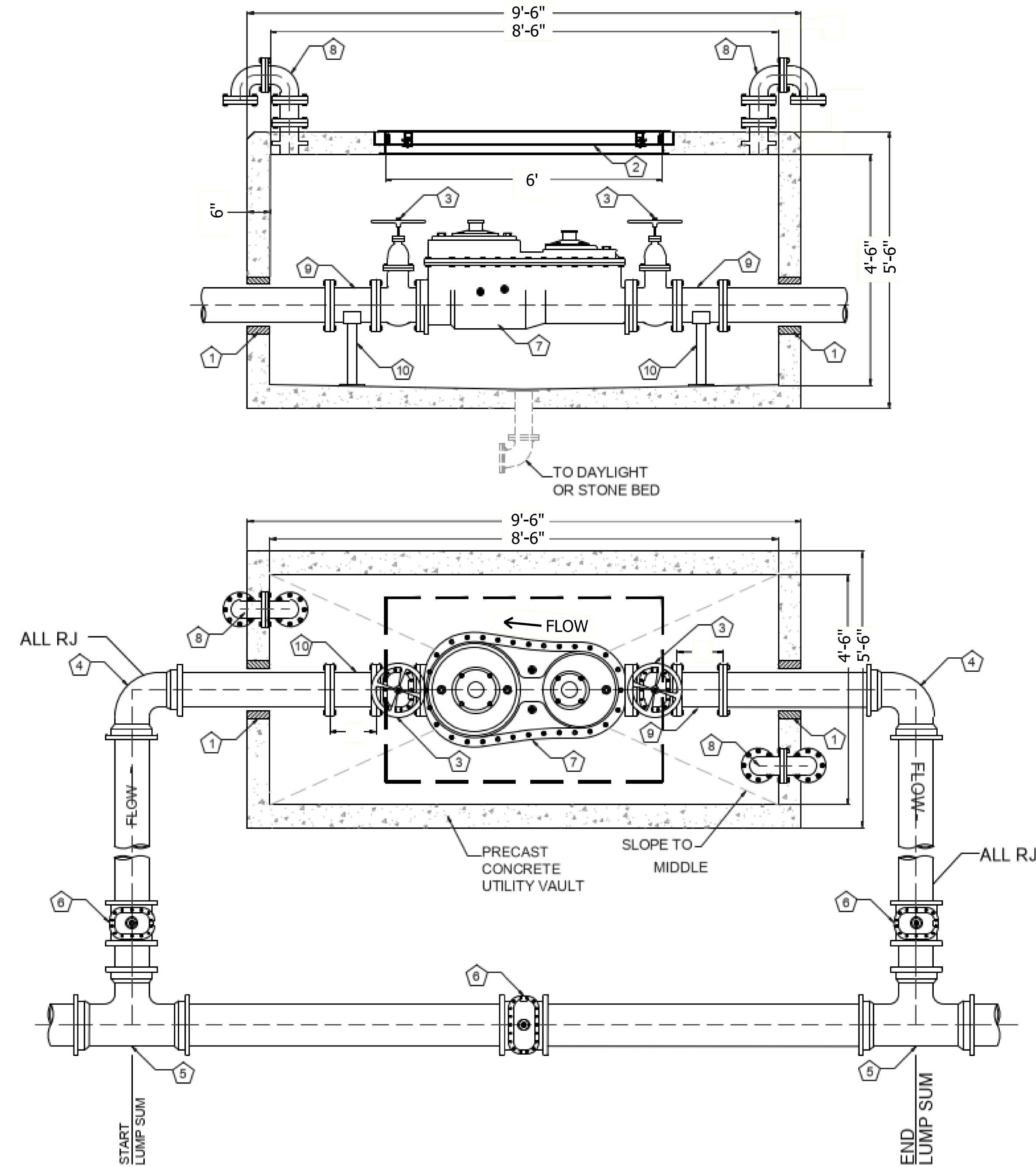


PROJECT SPECIFIC DETAILS



MASTER METER VAULT

NO SCALE

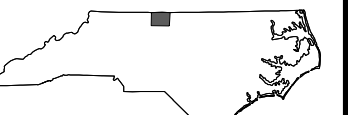
NOTE: ENSURE FLOW OF WATER RUNS EAST TO WEST.

①	WALL PENETRATION ANNULAR SEAL
②	ALUMINUM ACCESS HATCH, 48" X 72" CLEAR OPENING, DOUBLE LEAF
③	6" GATE VALVE, FL
④	6" X 6" 90° DI ELBOW, MJ
⑤	6" X 6" X 6" DI TEE, MJ
⑥	6" GATE VALVE, MJ
⑦	6" COMPOUND MAGNETIC DRIVE METER
⑧	4" X 4" 90° DI ELBOWS, FL X FL, VENT W/ SS SCREEN
⑨	6" DI SPOOL, 12" LENGTH
⑩	STEEL PIPE SUPPORT

HB-0035

UTL UC-3B

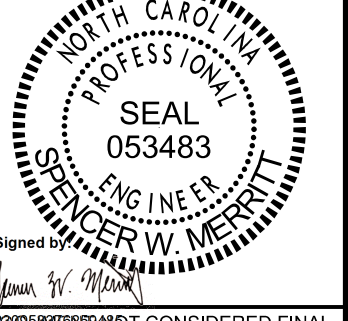
NORTH CAROLINA
DEPARTMENT OF TRANSPORTATION
ROCKINGHAM COUNTY



UTILITY DESIGN UNIT

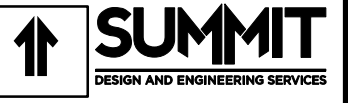
UTILITY CONSTRUCTION
PLANS ONLY

4/17/2026



THIS DOCUMENT IS NOT CONSIDERED FINAL
UNLESS ALL SIGNATURES COMPLETED

PLANS PREPARED BY:



NC FIRM LICENSE No: C-5176
1000 Social St. Suite 800.
Raleigh, NC 27609
(919) 732-3883
(919) 732-6676 (FAX)

DESIGNED BY:

DRAWN BY: DEVON HOYLE

CHECKED BY: FAITH JAHNKE

APPROVED BY:

REVISED:

UTILITIES ENGINEERING SEC.
PHONE: (919) 707-6690
FAX: (919) 220-4151

REVISIONS