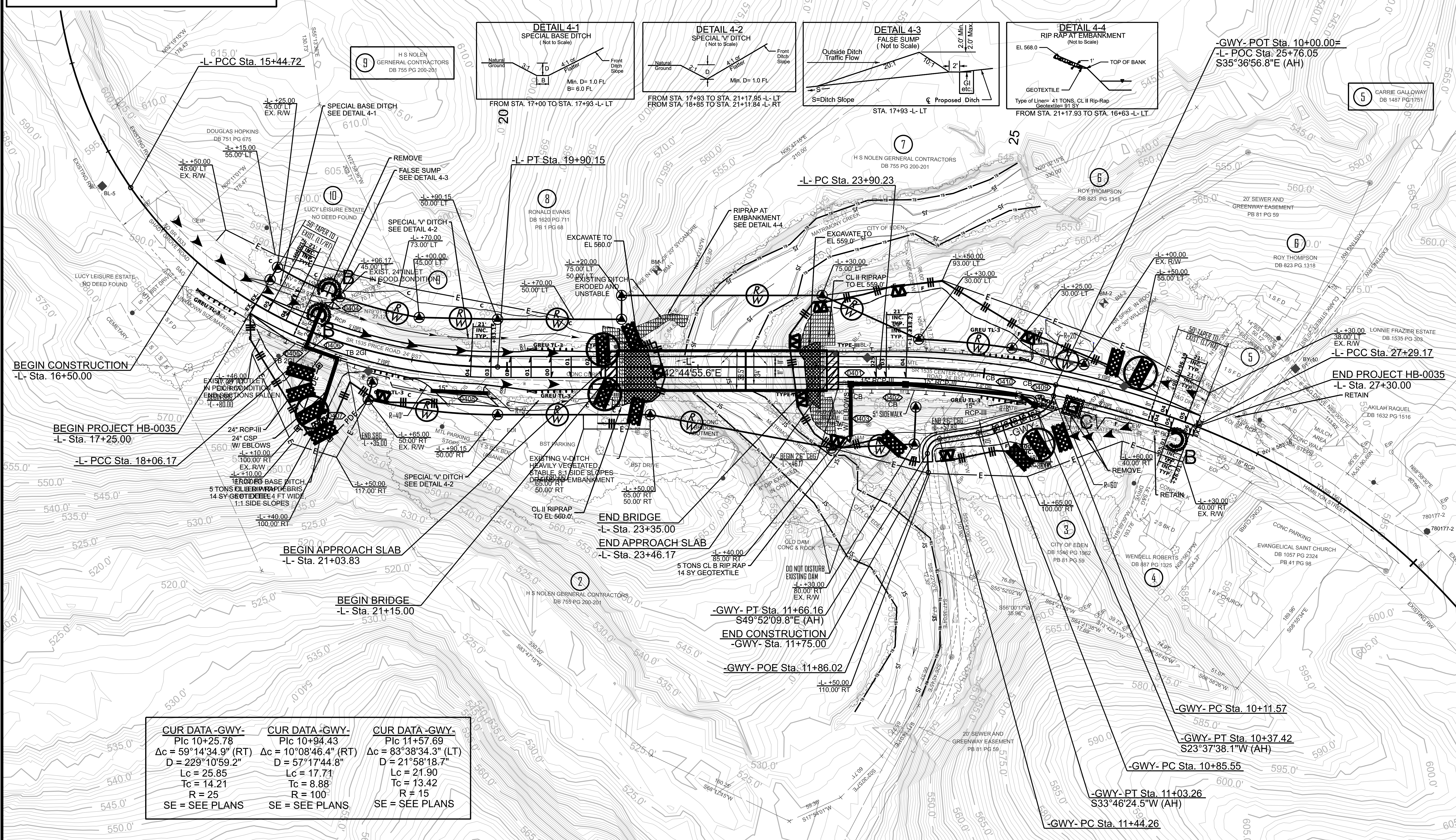
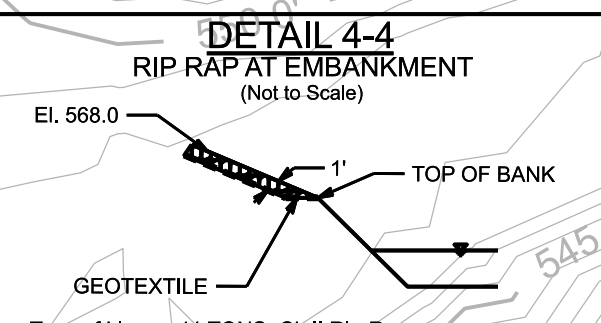
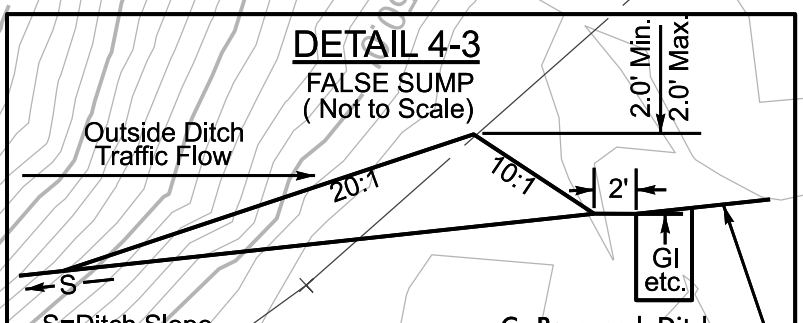
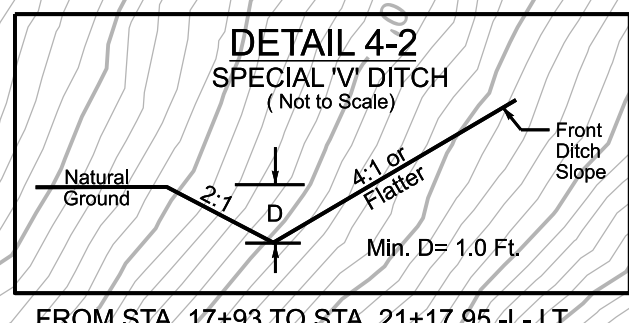
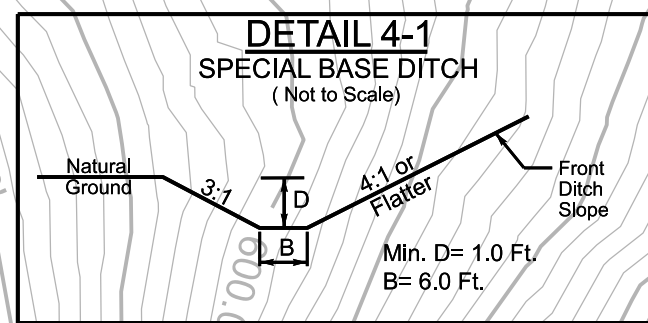


CLEARING AND GRUBBING
EROSION CONTROL FOR
CONSTRUCTION SHEET 4

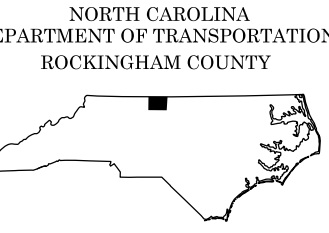
NOTE:
PLACE TEMPORARY ROCK SEDIMENT DAMS TYPE - B
AND TEMPORARY ROCK SILT CHECKS TYPE - A AT
DRAINAGE OUTLETS.

NOTE:
UTILIZE TEMPORARY SEDIMENT BASIN OR SPECIAL STILLING
BASIN(S) AS STILLING BASIN WHERE APPLICABLE.

CUR DATA -L- Plc 13+47.22 $\Delta c = 55^{\circ}51'48.7''$ (LT) D = 12'54'16.0" Lc = 432.90 Tc = 235.40 R = 444 SE = Exist.	CUR DATA -L- Plc 16+79.84 $\Delta c = 35^{\circ}40'00.9''$ (LT) D = 13'38'30.7" Lc = 261.45 Tc = 135.12 R = 420 SE = Exist.	CUR DATA -L- Plc 18+99.08 $\Delta c = 19^{\circ}42'12.6''$ (LT) D = 10'42'34.2" Lc = 183.98 Tc = 92.91 R = 535 SE = 04 RO = 84'	CUR DATA -L- Plc 25+61.66 $\Delta c = 21^{\circ}13'23.8''$ (RT) D = 06'15'42.6" Lc = 338.93 Tc = 171.43 R = 915 SE = 04 RO = 84'	CUR DATA -L- Plc 29+51.10 $\Delta c = 34^{\circ}43'00.0''$ (RT) D = 08'04'11.4" Lc = 430.20 Tc = 221.93 R = 710 SE = Exist.	CUR DATA -L- Plc 32+46.01 $\Delta c = 10^{\circ}38'41.0''$ (RT) D = 06'09'39.0" Lc = 172.78 Tc = 86.64 R = 930 SE = Exist.
---	---	--	---	---	--



CUR DATA -GWY- Plc 10+25.78 $\Delta c = 59^{\circ}14'34.9''$ (RT) D = 229'10'59.2" Lc = 25.85 Tc = 14.21 R = 25 SE = SEE PLANS	CUR DATA -GWY- Plc 10+94.43 $\Delta c = 10^{\circ}08'46.4''$ (RT) D = 57'17'44.8" Lc = 17.71 Tc = 8.88 R = 100 SE = SEE PLANS	CUR DATA -GWY- Plc 11+57.69 $\Delta c = 83^{\circ}38'34.3''$ (LT) D = 21'58'18.7" Lc = 21.90 Tc = 13.42 R = 15 SE = SEE PLANS
--	---	---



ROADWAY DESIGN ENGINEER

HYDRAULIC DESIGN ENGINEER

PLANS PREPARED BY:



NC FIRM LICENSE No: C-5176
1000 Social St. Suite 900,
Raleigh, NC 27609
(919) 732-3883
(919) 732-6676 (FAX)