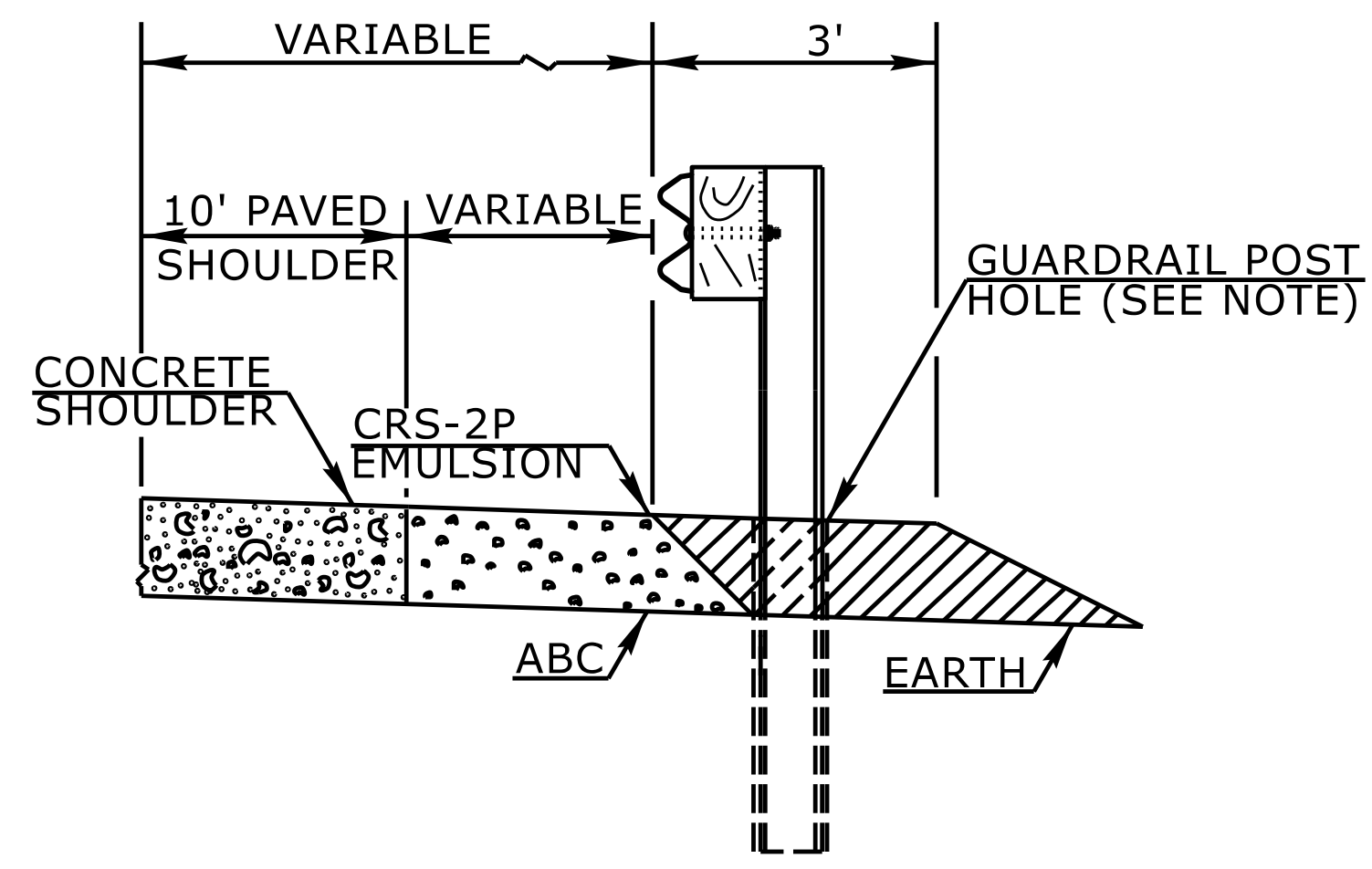
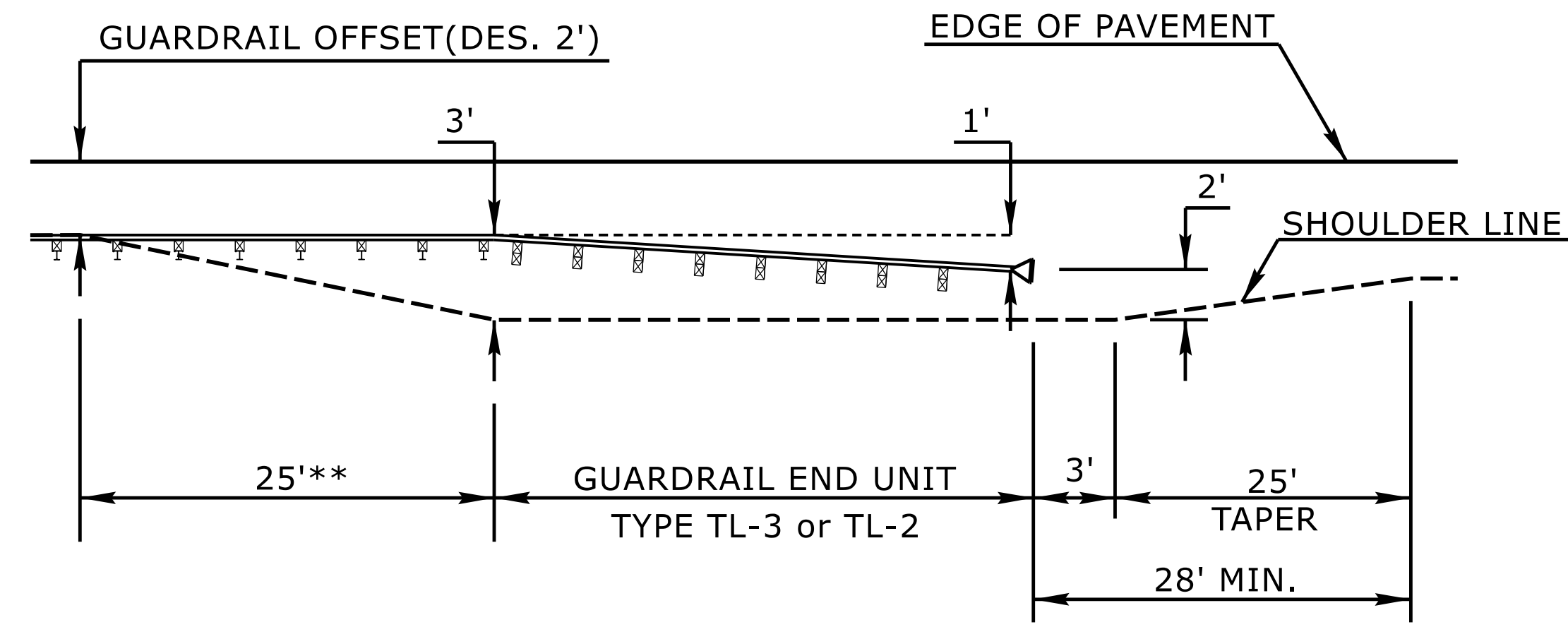


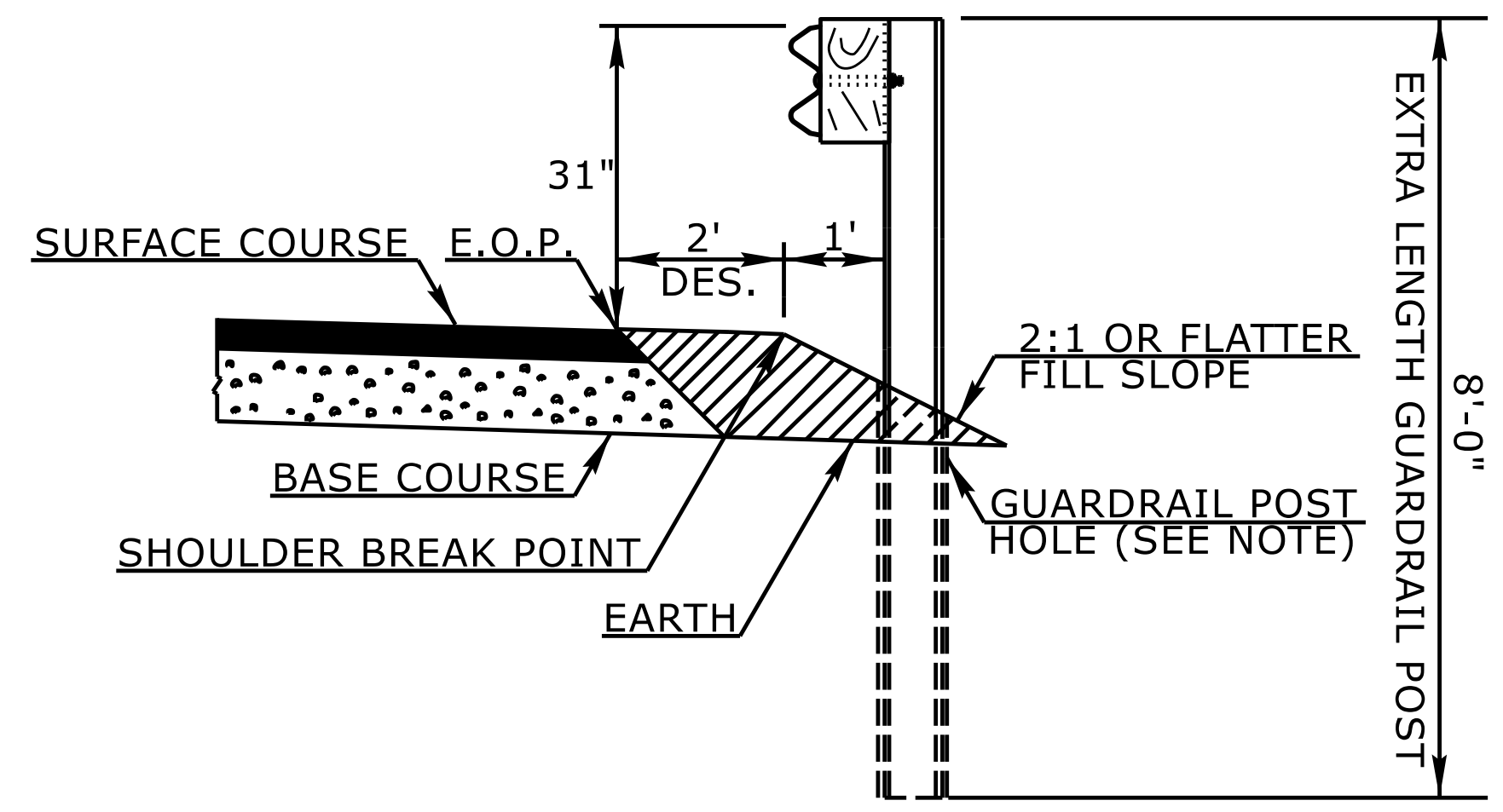
FLEXIBLE PAVED SHOULDER



CONCRETE PAVED SHOULDER



8' GUARDRAIL POST ON 2:1 SLOPE-END UNIT TRANSITION\*  
PLAN VIEW



8' GUARDRAIL POST ON 2:1 SLOPE\*

\* THE 8' GUARDRAIL POST ON 2:1 SLOPE DETAIL IS INTENDED FOR USE ONLY IN SEVERELY CONSTRAINED AREAS WITH A POSTED SPEED ≤ 60 MPH. GUARDRAIL END UNITS MAY NOT BE PLACED ON THE 2:1 SLOPE AND MUST TRANSITION TO THE SHOULDER.  
 \*\* 8' GUARDRAIL POST SHOULD BE USED IN THIS RANGE

NOTE:  
 WHEN WOODEN GUARDRAIL POSTS ARE USED, DRILL HOLES THROUGH EARTH MATERIAL AND BASE COURSE. THE POST MAY THEN BE DRIVEN TO THE PROPER DEPTH. DRILL THE HOLE OF SUFFICIENT SIZE TO ACCOMMODATE THE PARTICULAR POST BEING USED. BACKFILL AND TAMP HOLES USING THE EXCAVATED MATERIAL.

STATE OF  
 NORTH CAROLINA  
 DEPT. OF TRANSPORTATION  
 DIVISION OF HIGHWAYS  
 RALEIGH, N.C.

ROADWAY DETAIL DRAWING FOR  
**GUARDRAIL PLACEMENT**



SHEET 11 OF 15  
**862D01**

DOCUMENT NOT CONSIDERED FINAL  
 UNLESS ALL SIGNATURES COMPLETED

**CONTRACTS STANDARDS AND DEVELOPMENT UNIT**  
 Office 919-707-6950 FAX 919-250-4119

**SEE TITLE BLOCK**

ORIGINAL BY: L.SMITH DATE: 10-14-2025  
 MODIFIED BY: DATE:  
 CHECKED BY: DATE:  
 FILE SPEC.: DATE: