

ASPHALT WEDGE DETAIL

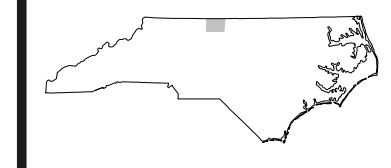
FOR PLAN, SEE SHEET 4



HB-0035

2B-1

NORTH CAROLINA
DEPARTMENT OF TRANSPORTATION
ROCKINGHAM COUNTY



ROADWAY DESIGN
ENGINEER

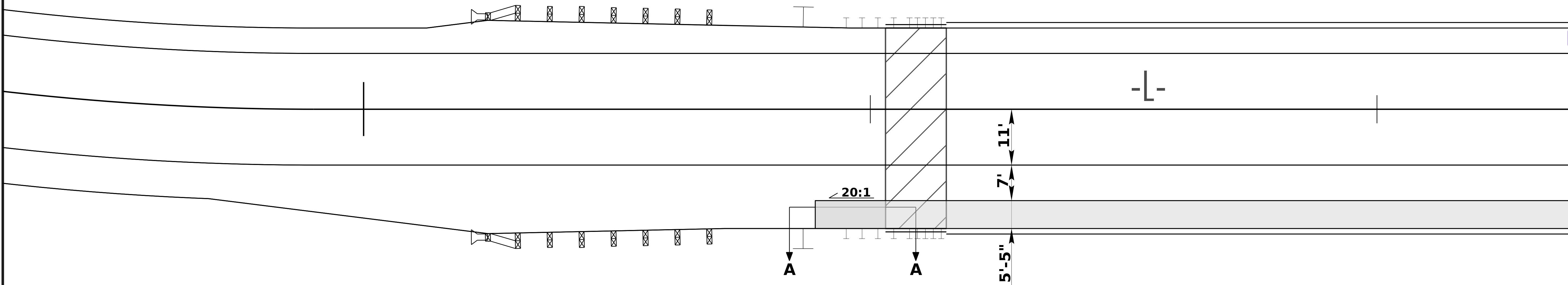
4/29/2026



PLANS PREPARED BY:



NC FIRM LICENSE No: C-5176
1000 Social St. Suite 800
Raleigh, NC 27609
(919) 732-3883
(919) 732-6676 (FAX)



PAVEMENT SCHEDULE (FINAL PAVEMENT DESIGN)

C2	3" S9.5B,
C3	VAR. S9.5B
D1	4" I19.0C
E1	4" B25.0C,

