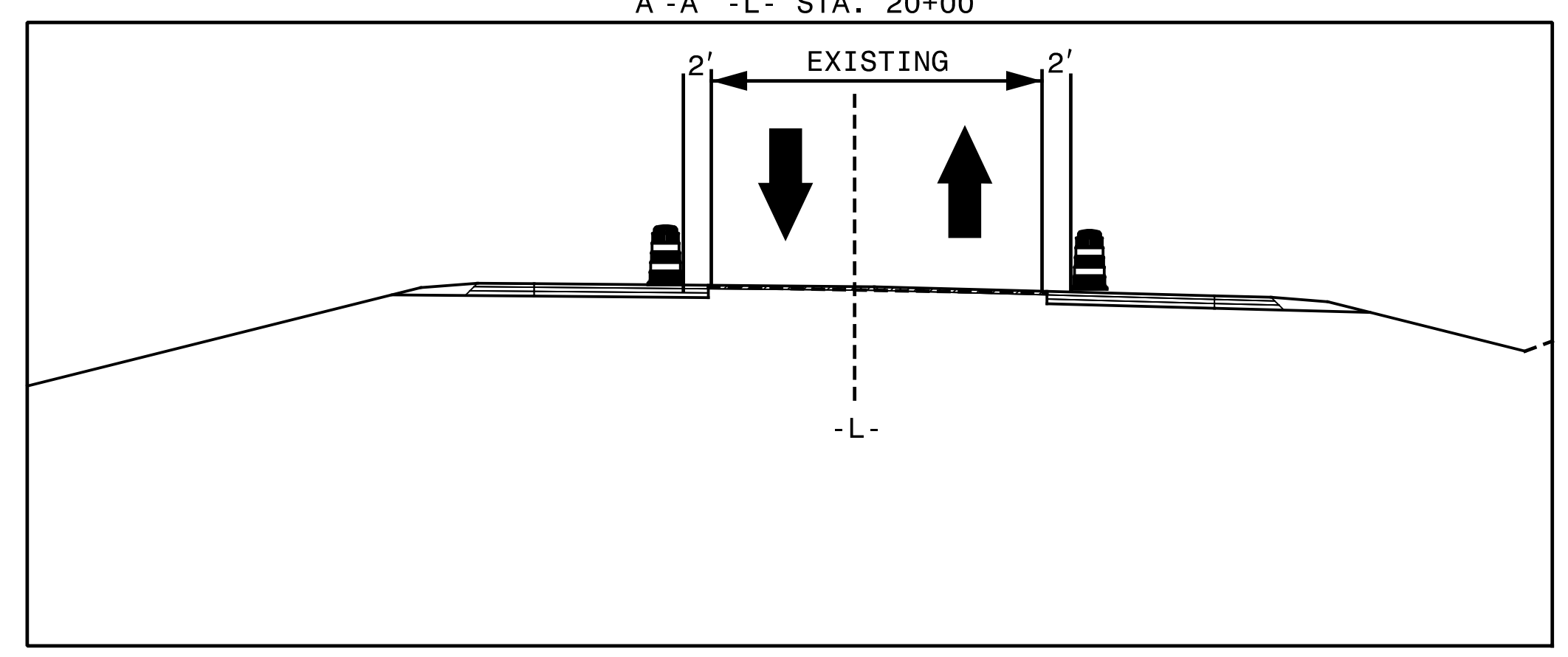
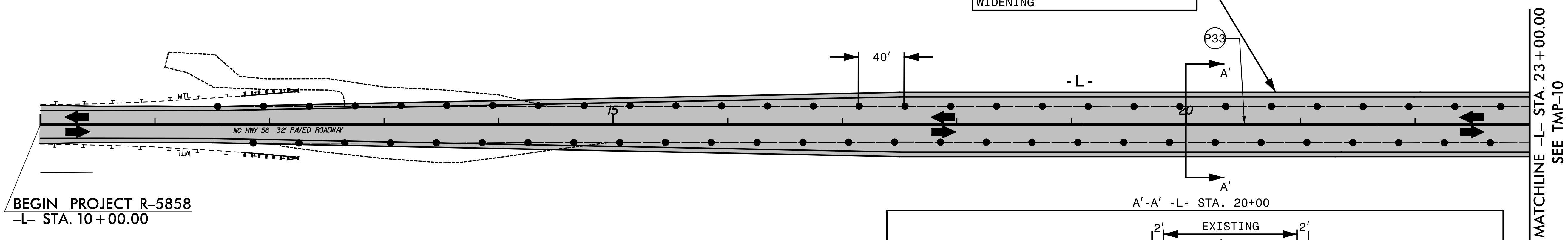


SEE FINAL PAVEMENT MARKING PLANS FOR PAVEMENT MARKINGS

NOTE: ENSURE TEMPORARY MARKINGS ARE APPLIED ON MILLED/WEDGED SURFACES AND ON COMPLETE WIDENING SECTIONS PRIOR TO TRAFFIC SHIFTS.

USE RSD 1101.02 SHEET 1 OF 19 FOR LANE CLOSURES DURING CONSTRUCTION OF PROPOSED WIDENING



BEGIN PROJECT R-5858
-L- STA. 10+00.00

MATCHLINE -L- STA. 23+00.00
SEE TMP-10

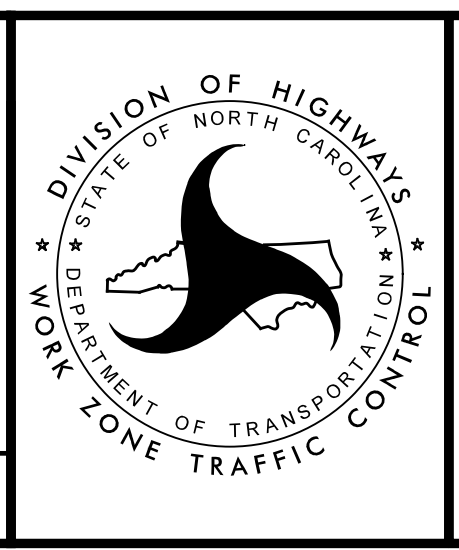
5/5/2026 X:\2017\SET\124-00-R-5858\TP\Traffic\TMP\R-5858 TMP-9.dgn jbauman



APPROVED: *John Bauman*
DATE: 5/5/2026

SEAL

DOCUMENT NOT CONSIDERED FINAL UNLESS ALL SIGNATURES COMPLETED



PHASE II