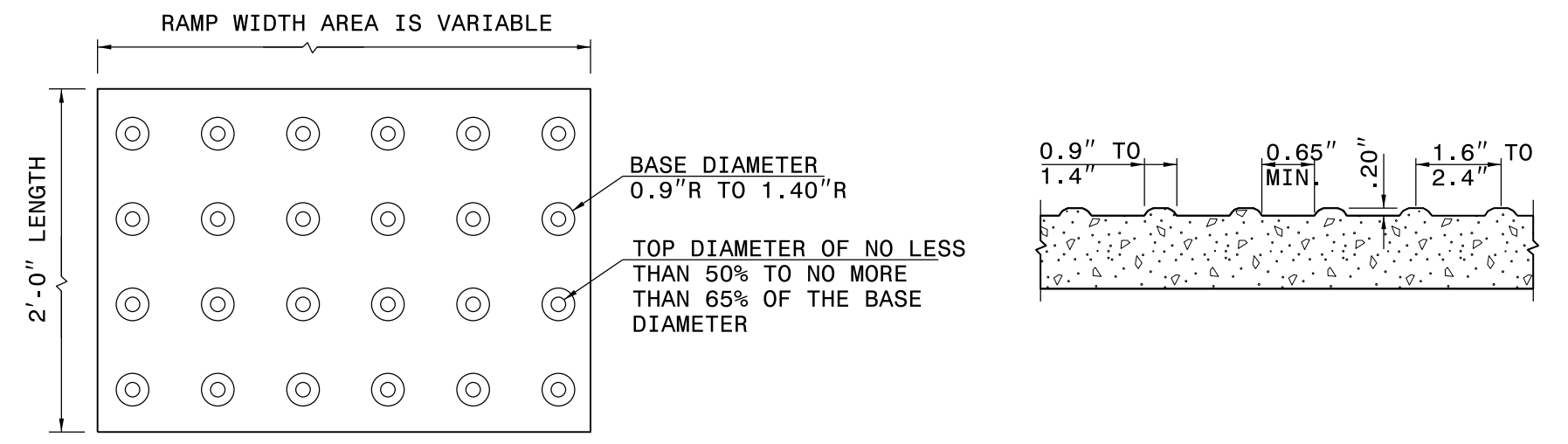


NOTES:  
 DETECTABLE WARNING SURFACE SHALL COVER 2'-0" LENGTH AND FULL WIDTH OF THE RAMP FLOOR AS SHOWN ON THE DETAILS.  
 DETECTABLE WARNING SURFACE SHALL CONTRAST VISIBLY WITH ADJOINING SURFACE, EITHER LIGHT-ON-DARK, OR DARK-ON-LIGHT SEQUENCE COVERING THE ENTIRE RAMP.



- 1 8.33% (12:1) MAX RAMP SLOPE
- 2 CROSS SLOPE: 2.00%
- 3 MAXIMUM CROSS SLOPE AND LONGITUDINAL SLOPE OF 2.00%

PAY LIMITS FOR 1 OR 2 CURB RAMPS  
 (CALCULATE BASED ON NUMBER OF SETS OF DETECTABLE WARNING SURFACES)

STATE OF NORTH CAROLINA  
 DEPT. OF TRANSPORTATION  
 DIVISION OF HIGHWAYS  
 RALEIGH, N.C.

ROADWAY DETAIL DRAWING FOR  
**CURB RAMP**  
 SHARED LANDING



Signed by:  
 Nicole M. Hickler  
 58843203416405 4/6/2026

SHEET 10 OF 13  
**848D06**

DOCUMENT NOT CONSIDERED FINAL  
 UNLESS ALL SIGNATURES COMPLETED

CONTRACTS STANDARDS  
 AND DEVELOPMENT UNIT  
 Office 919-707-6950 FAX 919-250-4119

**SEE TITLE BLOCK**

ORIGINAL BY: S.CALHOUN DATE: 12-22-2023  
 MODIFIED BY: DATE: \_\_\_\_\_  
 CHECKED BY: DATE: \_\_\_\_\_  
 FILE SPEC.: special\_details\nmhackler\848D0610.dgn