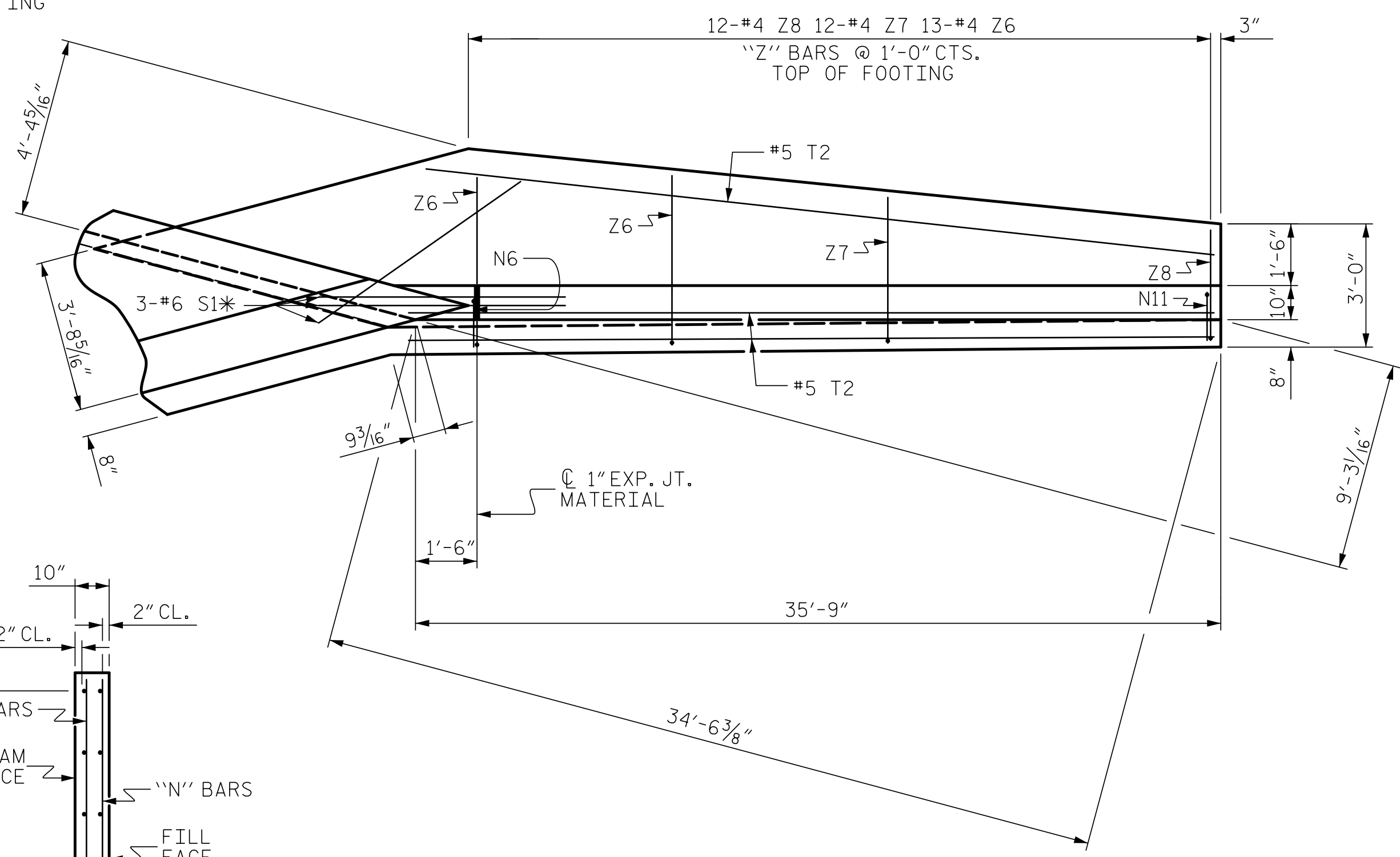
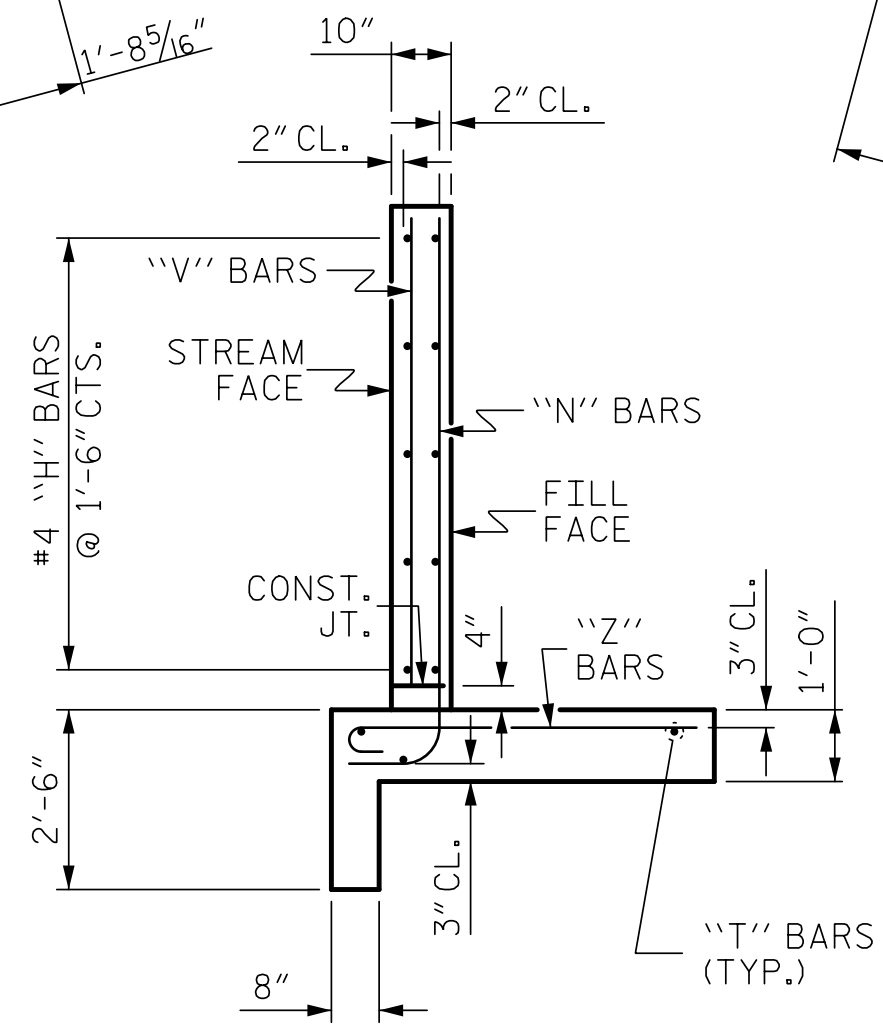


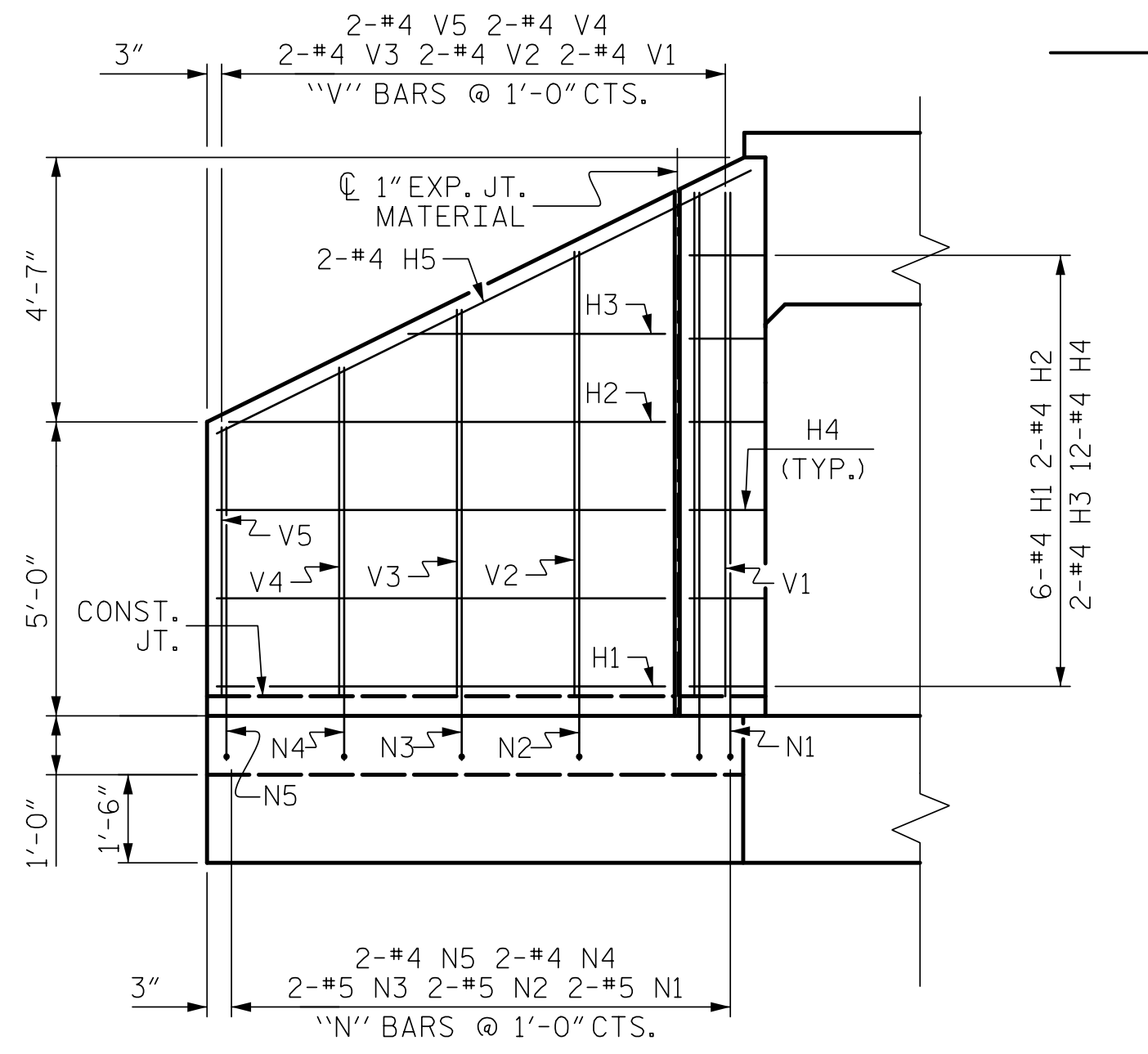
PLAN W2



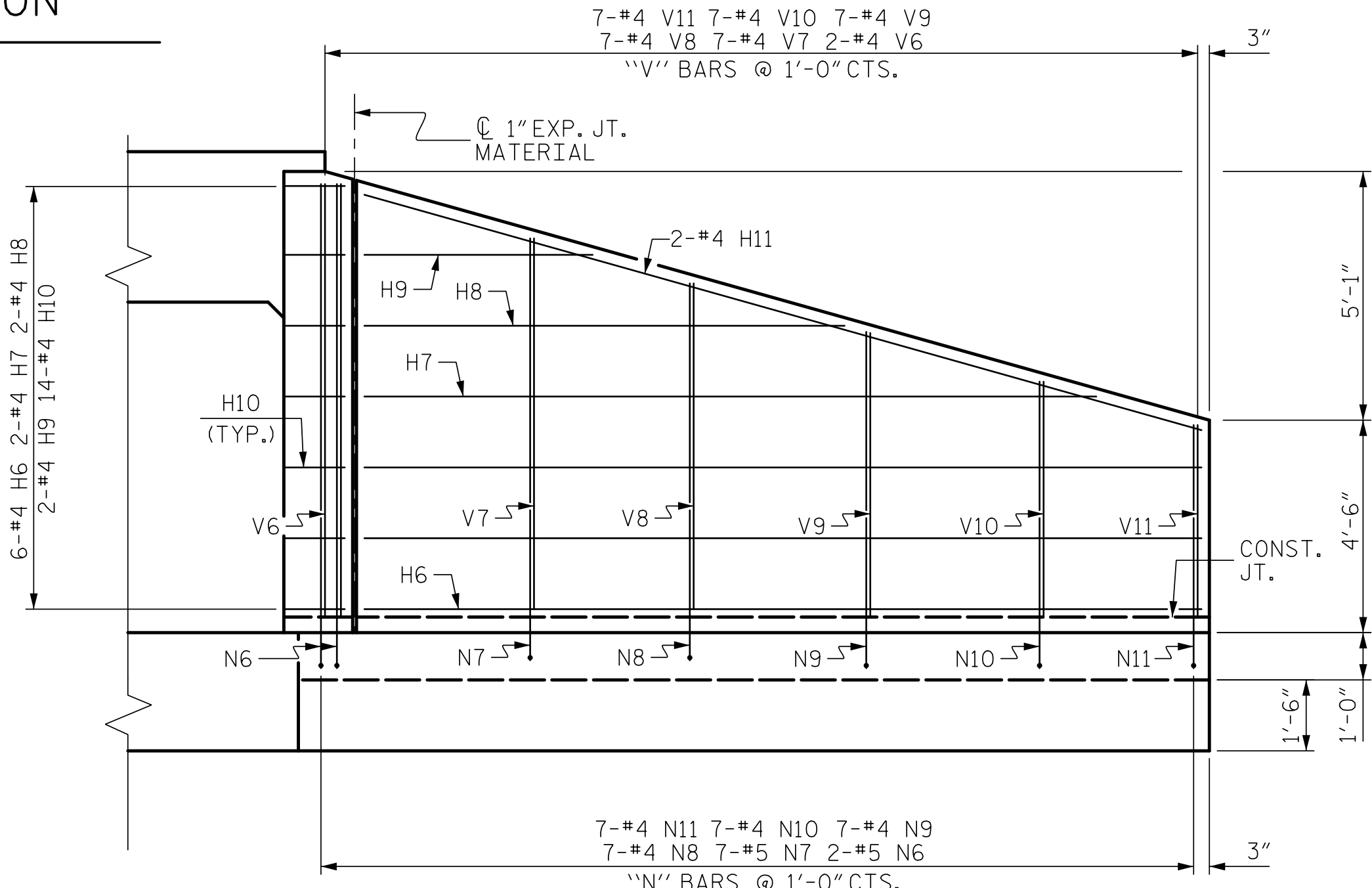
PLAN W1



TYPICAL WING SECTION

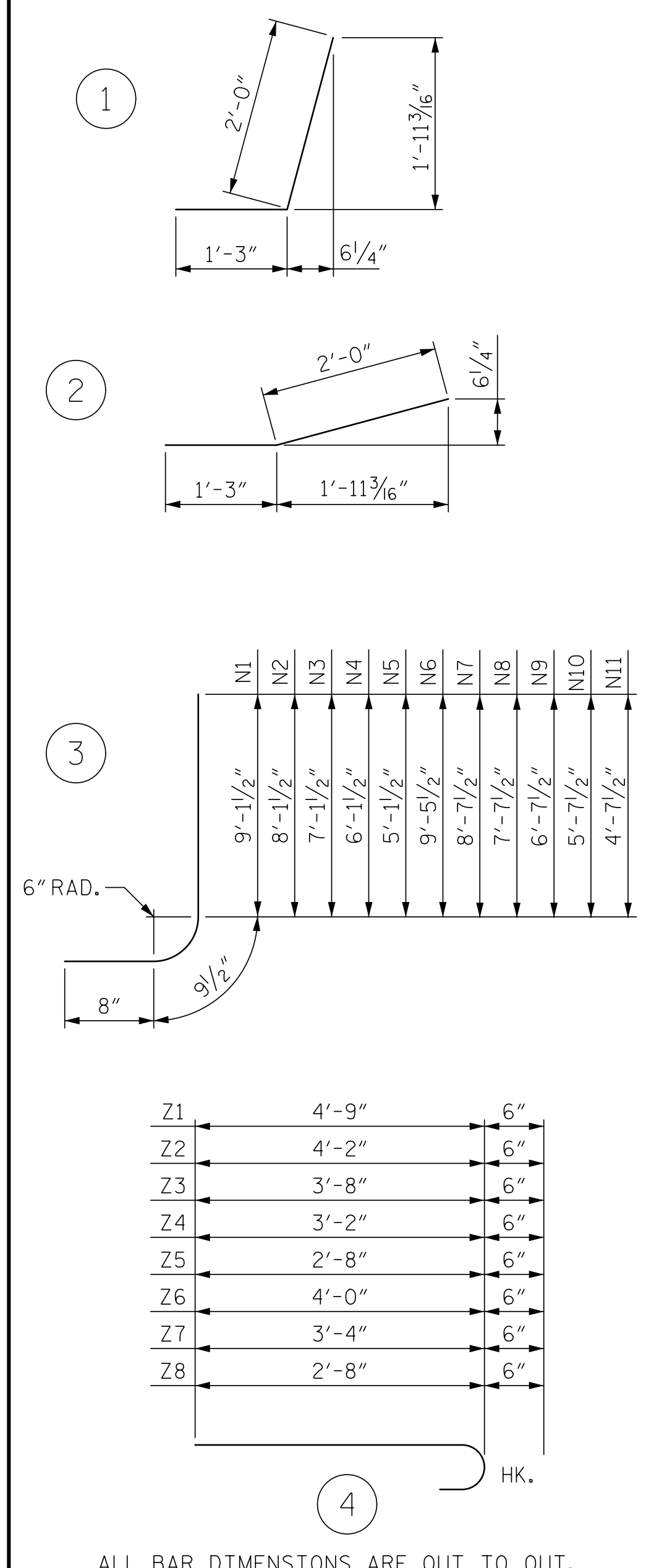


ELEVATION W2



ELEVATION W1

BAR TYPES



ALL BAR DIMENSIONS ARE OUT TO OUT.

BILL OF MATERIAL WINGS W1 & W2

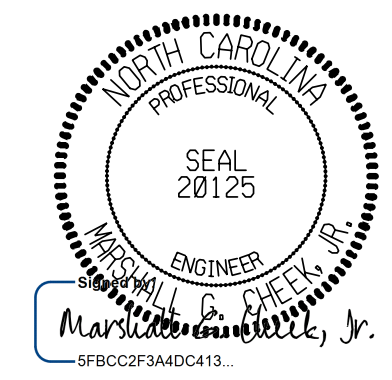
BAR	NO.	SIZE	TYPE	LENGTH	WEIGHT
H1	6	#4	STR	7'-7"	30
H2	2	#4	STR	7'-5"	10
H3	2	#4	STR	4'-4"	6
H4	12	#4	1	3'-3"	26
H5	2	#4	STR	8'-0"	11
H6	6	#4	STR	33'-10"	136
H7	2	#4	STR	29'-4"	39
H8	2	#4	STR	18'-11"	25
H9	2	#4	STR	8'-5"	11
H10	14	#4	2	3'-3"	30
H11	2	#4	STR	34'-2"	46
N1	2	#5	3	10'-7"	22
N2	2	#5	3	9'-7"	20
N3	2	#5	3	8'-7"	18
N4	2	#4	3	7'-7"	10
N5	2	#4	3	6'-7"	9
N6	2	#5	3	10'-11"	23
N7	7	#5	3	10'-1"	74
N8	7	#4	3	9'-1"	42
N9	7	#4	3	8'-1"	38
N10	7	#4	3	7'-1"	33
N11	7	#4	3	6'-1"	28
S1	6	#6	STR	6'-0"	54
T1	3	#5	STR	9'-6"	30
T2	3	#5	STR	35'-9"	112
V1	2	#4	STR	8'-4"	11
V2	2	#4	STR	7'-4"	10
V3	2	#4	STR	6'-5"	9
V4	2	#4	STR	5'-7"	7
V5	2	#4	STR	4'-7"	6
V6	2	#4	STR	9'-0"	12
V7	7	#4	STR	8'-0"	37
V8	7	#4	STR	7'-0"	33
V9	7	#4	STR	6'-0"	28
V10	7	#4	STR	5'-0"	23
V11	7	#4	STR	4'-0"	19
Z1	2	#4	4	5'-3"	7
Z2	2	#4	4	4'-8"	6
Z3	2	#4	4	4'-2"	6
Z4	2	#4	4	3'-8"	5
Z5	2	#4	4	3'-2"	4
Z6	13	#4	4	4'-6"	39
Z7	12	#4	4	3'-10"	31
Z8	12	#4	4	3'-2"	25
REINFORCING STEEL FOR 2 WINGS					1,201 LBS
CLASS A CONCRETE					
2 WINGS					19.2 CY
1 HEADWALL					0.8 CY
1 END CURTAIN WALL					0.8 CY
TOTAL					20.8 CY

NOTES

A 3 FOOT STRIP OF FILTER FABRIC SHALL BE ATTACHED TO THE FILL FACE OF THE WING COVERING THE ENTIRE LENGTH OF THE EXPANSION JOINT.
G1 BARS IN HEADWALL ARE INCLUDED WITH THE BARREL REINFORCING STEEL.

PROJECT NO. B-5833
YADKIN COUNTY
STATION: 12+93.03 -L-

SHEET 8 OF 9



11/20/2025

STATE OF NORTH CAROLINA
DEPARTMENT OF TRANSPORTATION
RALEIGH
WINGS
FOR CONCRETE
BOX CULVERT
STAGE I
30° SKEW

DOCUMENT NOT CONSIDERED FINAL UNLESS ALL SIGNATURES COMPLETED
TGS ENGINEERS
706 HILLSBOROUGH STREET
SUITE 200
RALEIGH, NC 27603
PH (919) 773-8887
CORP. LICENSE NO.: C-0275

REVISIONS						SHEET NO.
NO.	BY:	DATE:	NO.	BY:	DATE:	C-8
1			3			TOTAL SHEETS
2			4			9

DRAWN BY: ZCS DATE: 3/22
CHECKED BY: MGC DATE: 3/22
DESIGN ENGINEER OF RECORD: ZCS DATE: 3/22