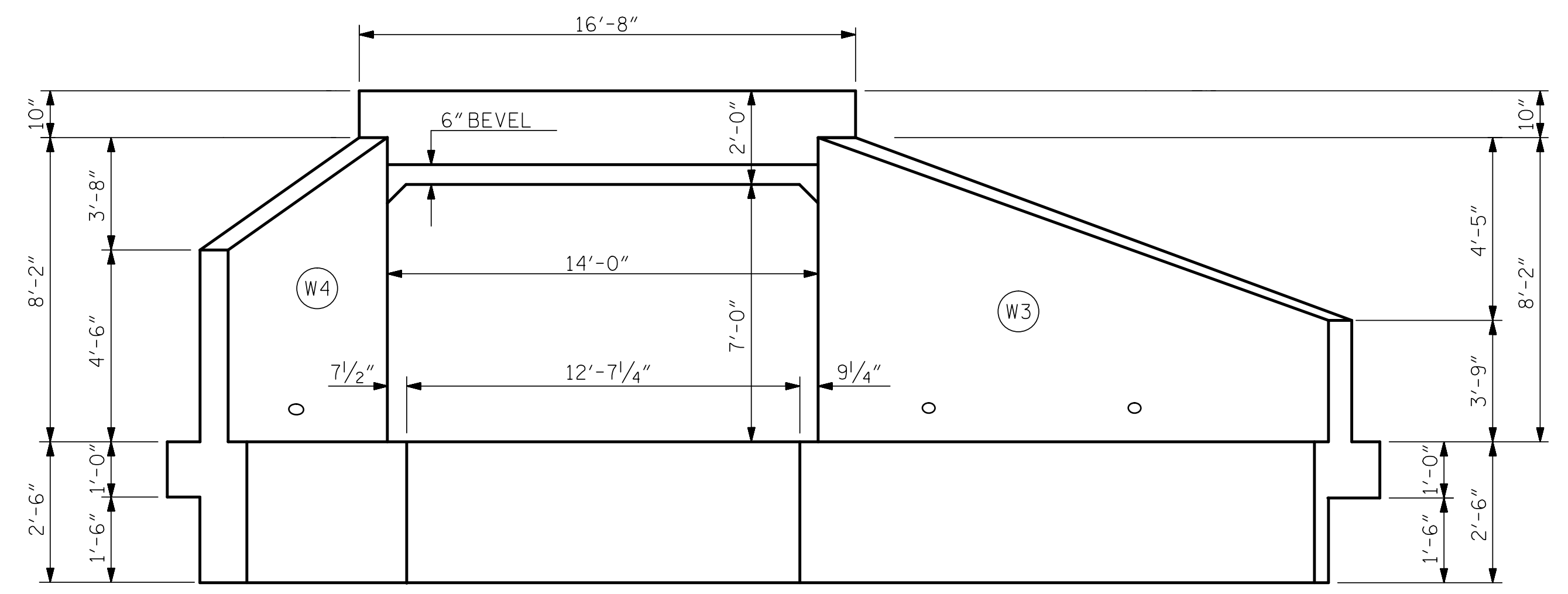


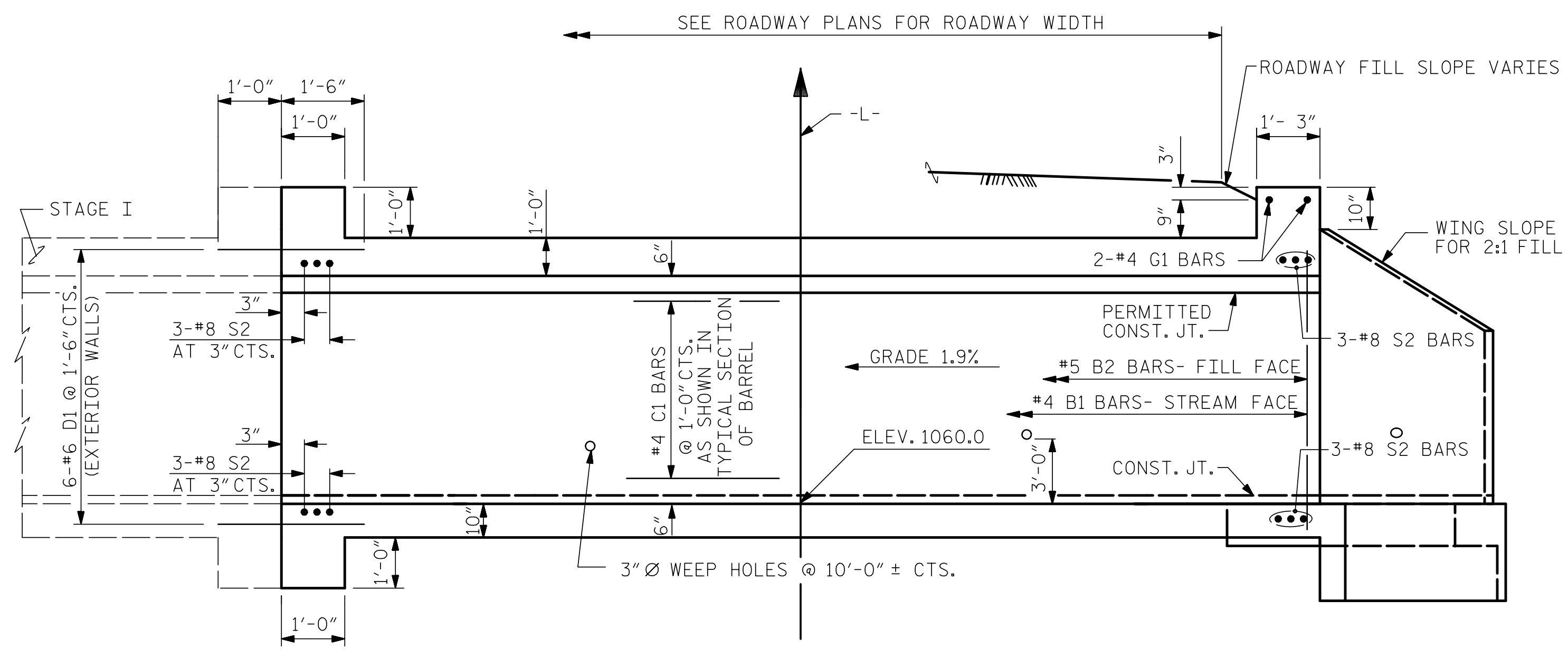
RIGHT ANGLE SECTION OF BARREL
THERE ARE 34 "C" BARS IN SECTION OF BARREL

STAGE II QUANTITIES			
CLASS A CONCRETE			
BARREL @	0.92	CY/FT	75.4 C.Y.
WINGS, ETC.			17.8 C.Y.
EDGE BEAMS			1.2 C.Y.
SILLS			1.0 C.Y.
TOTAL			95.4 C.Y.
REINFORCING STEEL			
BARREL & SILLS			10,158 LBS.
WINGS, ETC.			992 LBS.
TOTAL			11,150 LBS.
CULVERT EXCAVATION		LUMP SUM	
FOUNDATION COND. MAT'L.		71 TONS	

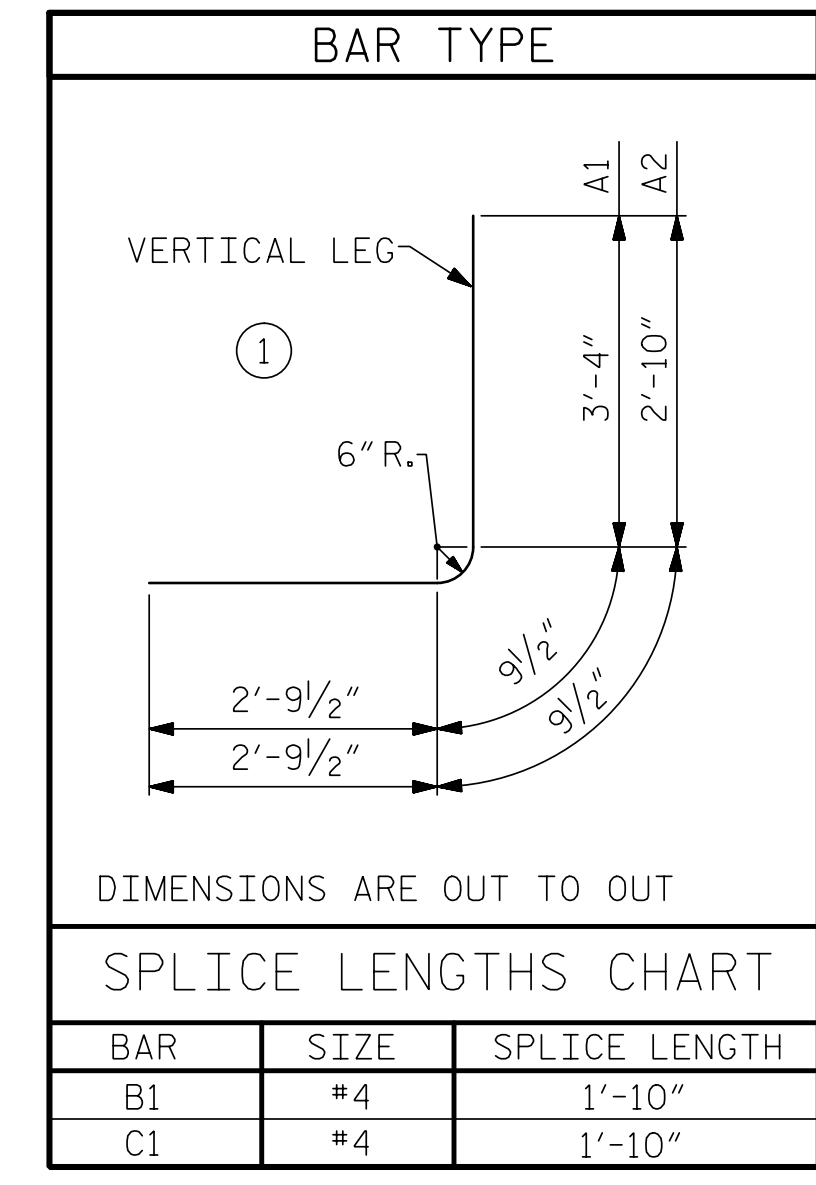
STAGE II BAR SCHEDULE											
BAR	NO.	SIZE	TYPE	LENGTH	WEIGHT	BAR	NO.	SIZE	TYPE	LENGTH	WEIGHT
A100	101	#6	STR	7'-11"	1201	A1	164	#5	1	6'-11"	1183
A101	4	#6	STR	7'-2"	43	A2	164	#6	1	6'-5"	1581
A102	4	#6	STR	6'-5"	39						
A103	4	#6	STR	5'-7"	34	B1	164	#4	STR	8'-4"	913
A104	4	#6	STR	4'-10"	29	B2	164	#5	STR	6'-4"	1083
A105	4	#6	STR	4'-1"	25						
A106	4	#6	STR	3'-4"	20	C1	102	#4	STR	28'-6"	1942
A107	4	#6	STR	2'-6"	15						
A200	101	#6	STR	7'-11"	1201	S2	12	#8	STR	15'-10"	507
A201	4	#6	STR	7'-2"	43	G1	2	#4	STR	15'-10"	21
A202	4	#6	STR	6'-5"	39						
A203	4	#6	STR	5'-7"	34	D1	24	#6	STR	2'-6"	90
A204	4	#6	STR	4'-10"	29	D2	12	#6	STR	1'-5"	26
A205	4	#6	STR	4'-1"	25						
A206	4	#6	STR	3'-4"	20						
A207	4	#6	STR	2'-6"	15						
										REINFORCING STEEL	10,158 LBS



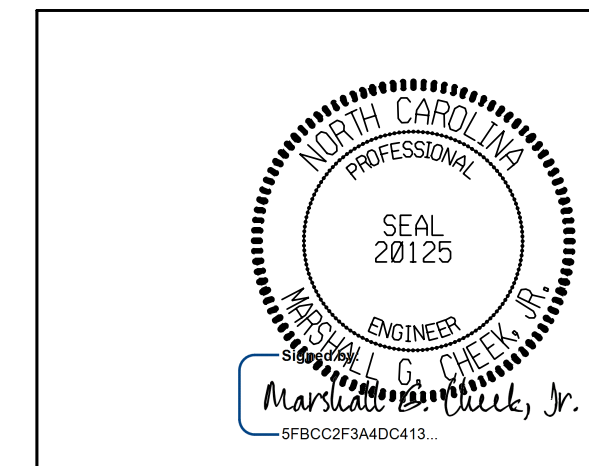
INLET END ELEVATION NORMAL TO SKEW



CULVERT SECTION NORMAL TO ROADWAY



PROJECT NO. B-5833
YADKIN COUNTY
 STATION: 12+93.03 -L-
 SHEET 6 OF 9



STATE OF NORTH CAROLINA
 DEPARTMENT OF TRANSPORTATION
 RALEIGH
 SINGLE 7 FT. X 7 FT.
 CONCRETE BOX CULVERT
 30° SKEW
 STAGE II

11/20/2025
 DOCUMENT NOT CONSIDERED FINAL
 UNLESS ALL SIGNATURES COMPLETED
 TGS ENGINEERS
 706 HILLSBOROUGH STREET
 SUITE 200
 RALEIGH, NC 27603
 PH (919) 773-8887
 CORP. LICENSE NO.: C-0275

REVISIONS						SHEET NO.
NO.	BY:	DATE:	NO.	BY:	DATE:	C-6
1			3			TOTAL SHEETS 9
2			4			

ASSEMBLED BY: ZCS DATE: 11/21
 CHECKED BY: MGC DATE: 3/22