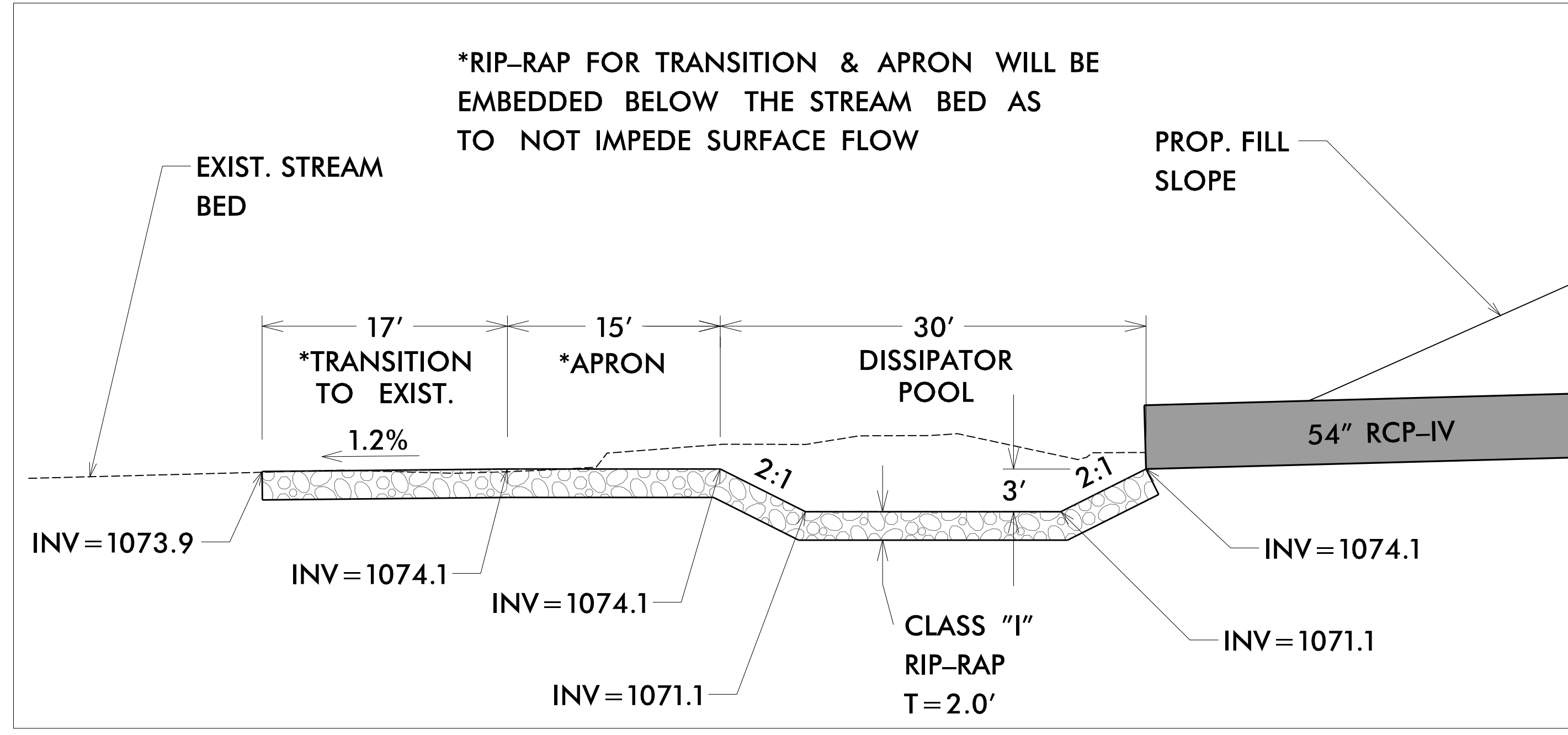


8/17/99

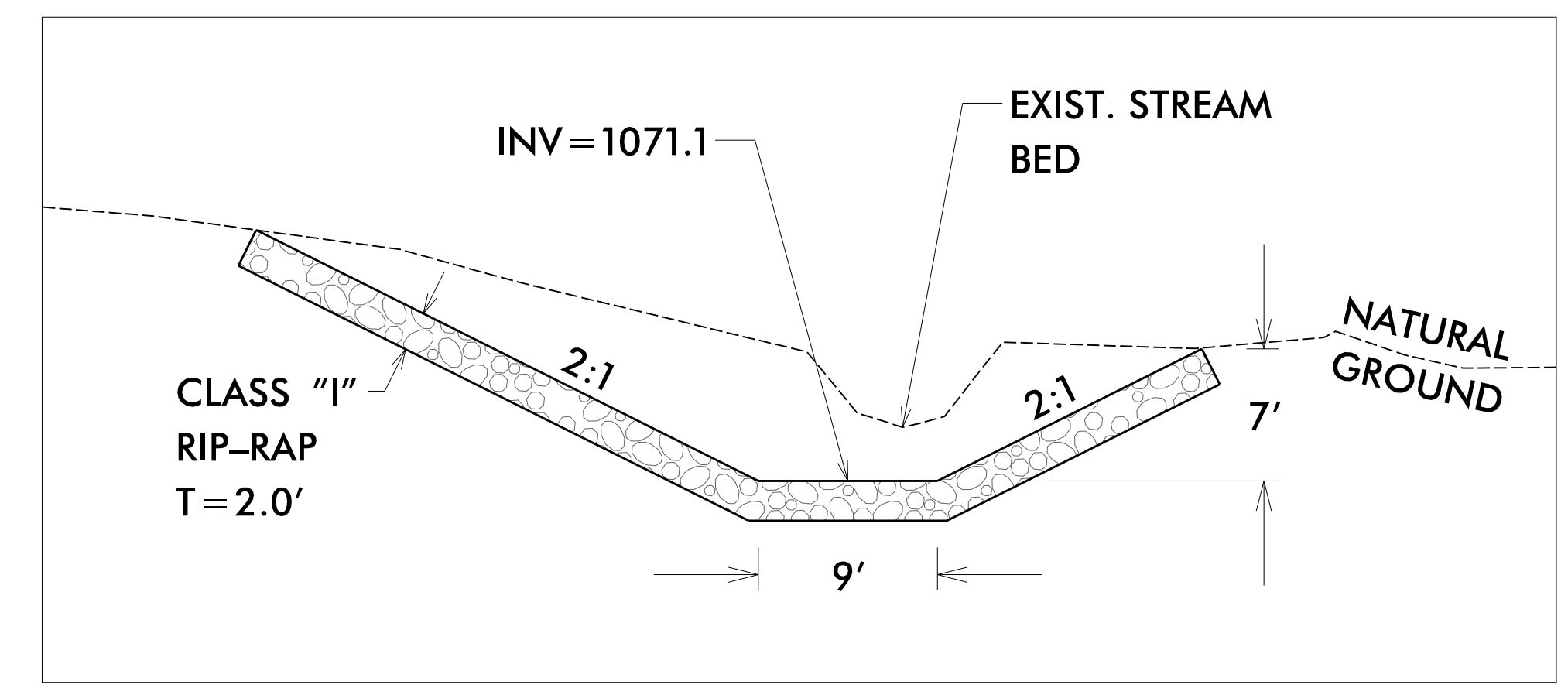
ENERGY DISSIPATOR BASIN #1 -RAMPD- 12+92 RT

(NOT TO SCALE)

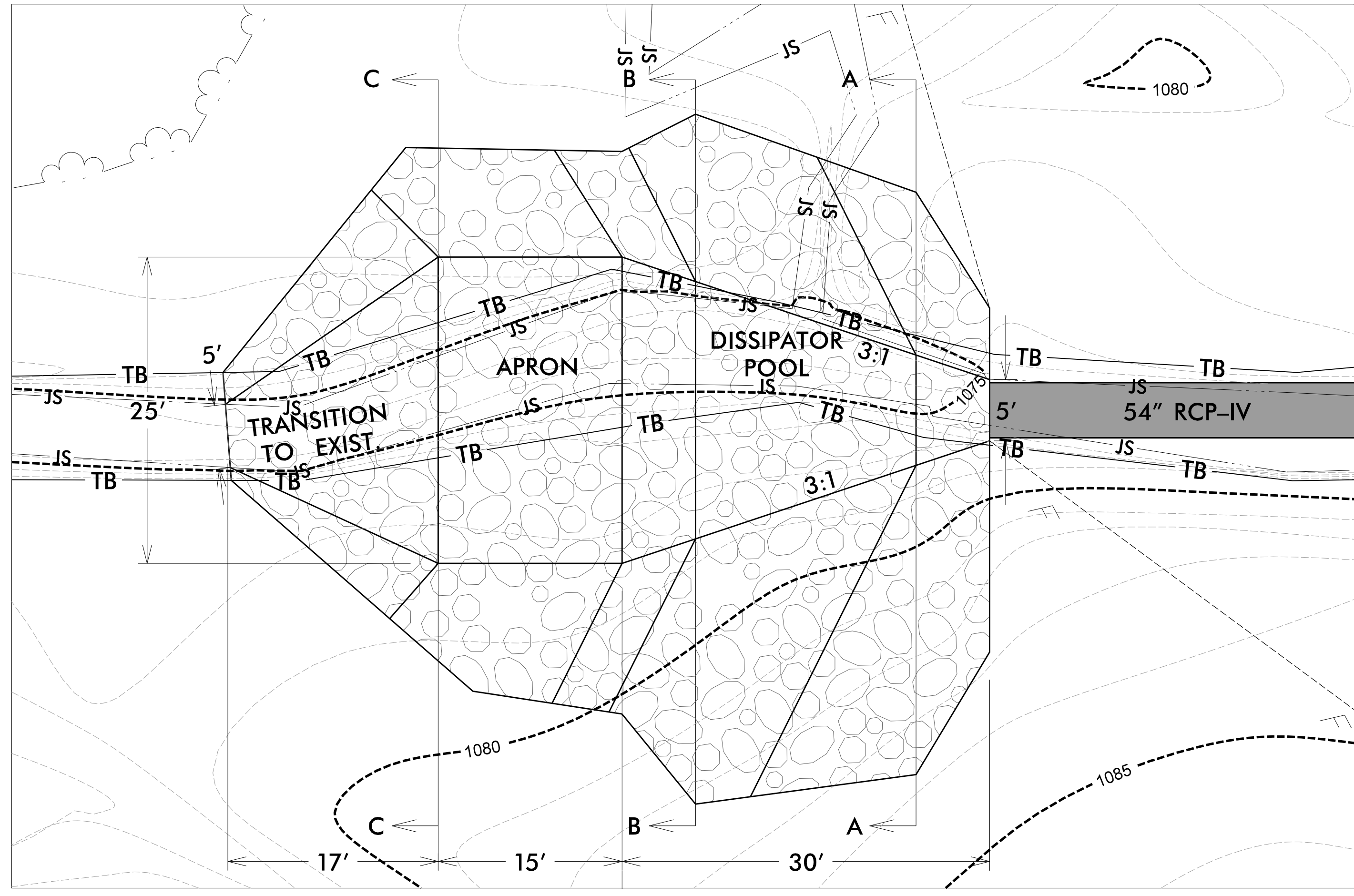
PROJECT REFERENCE NO. B-5833	SHEET NO. 2D-1
RW SHEET NO.	
HYDRAULICS ENGINEER	
DOCUMENT NOT CONSIDERED FINAL UNLESS ALL SIGNATURES COMPLETED	
TGS ENGINEERS 706 HILLSBOROUGH ST., SUITE 200 RALEIGH, NC 27603 PH (919) 773-8887 CORP. LICENSE NO.: C-0275	



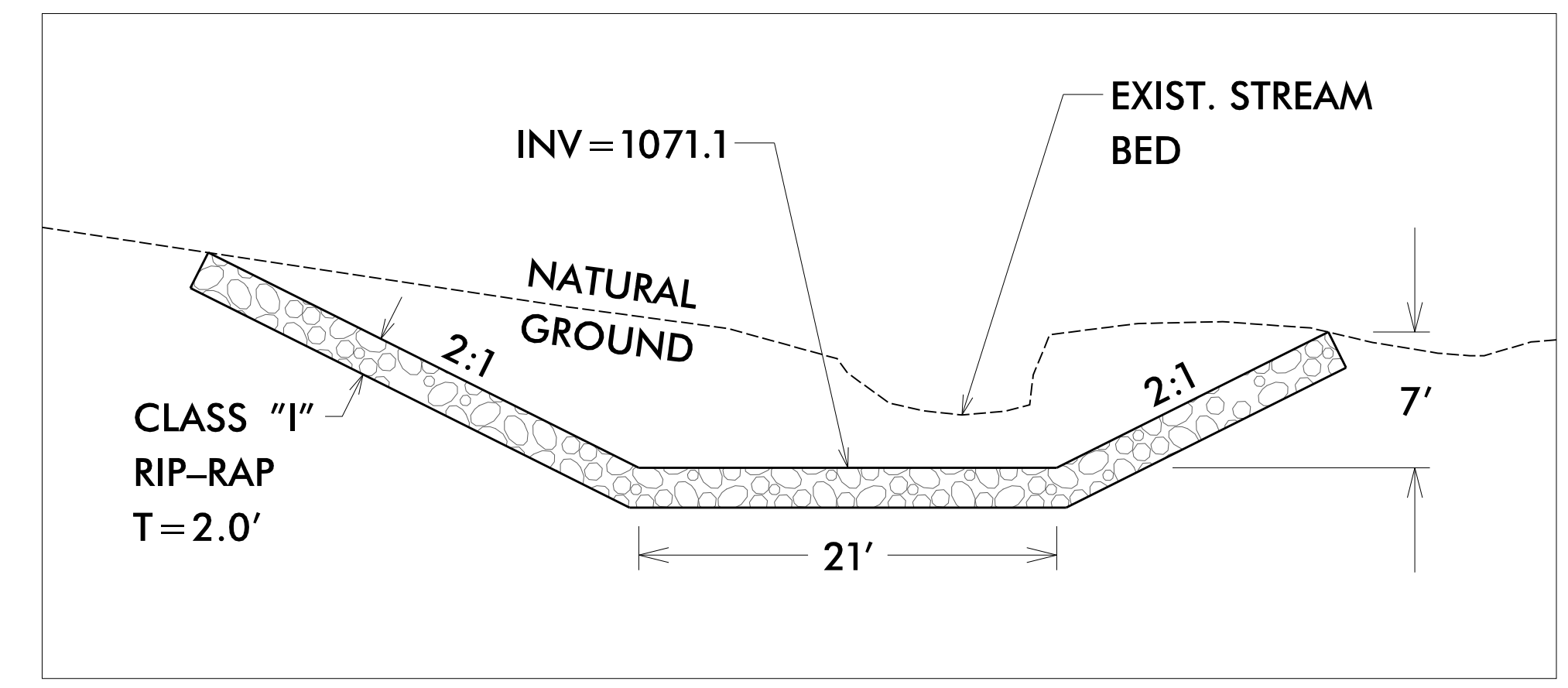
PROFILE VIEW



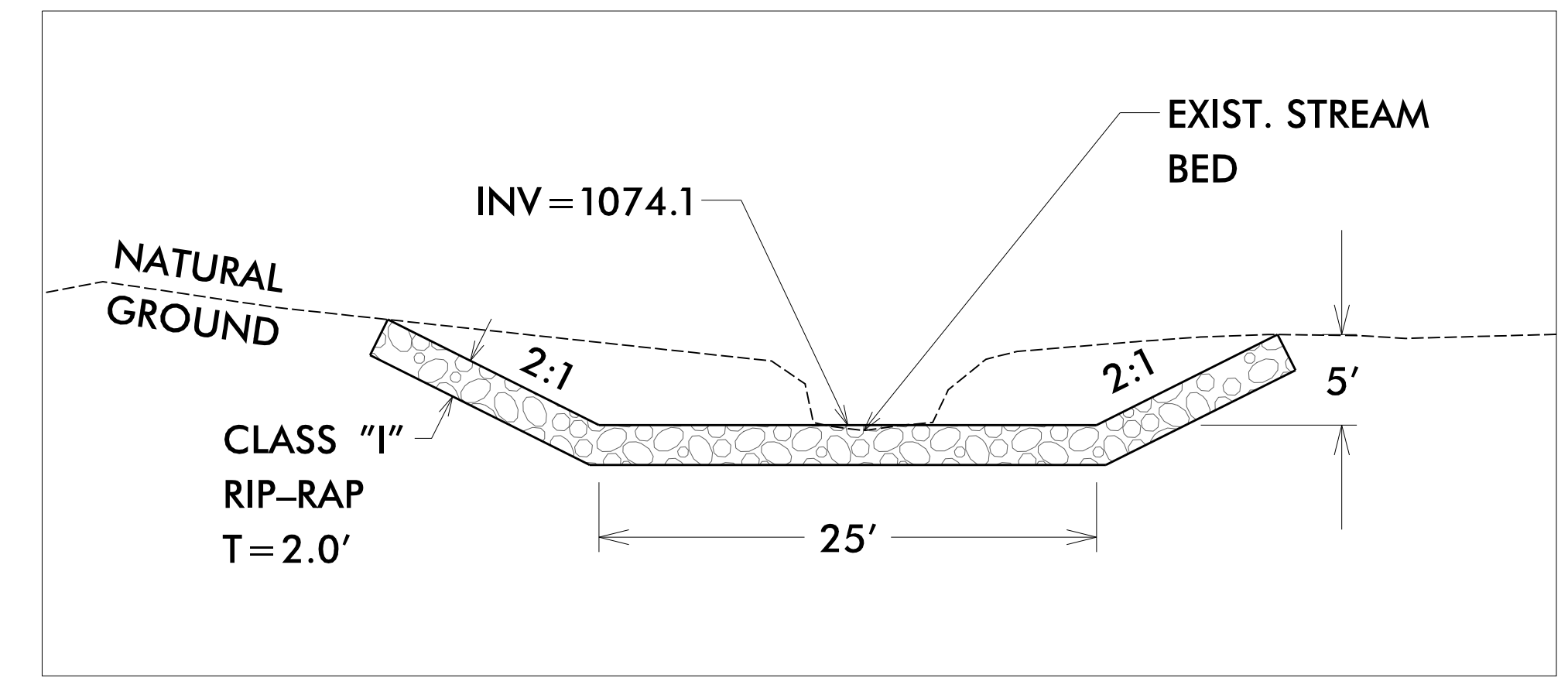
SECTION A-A



PLAN VIEW



SECTION B-B



SECTION C-C

2/25/2026
X:\N\001\B-5833\Drawings\hyd_Basin_1.PSH.dgn
jsr:bjc