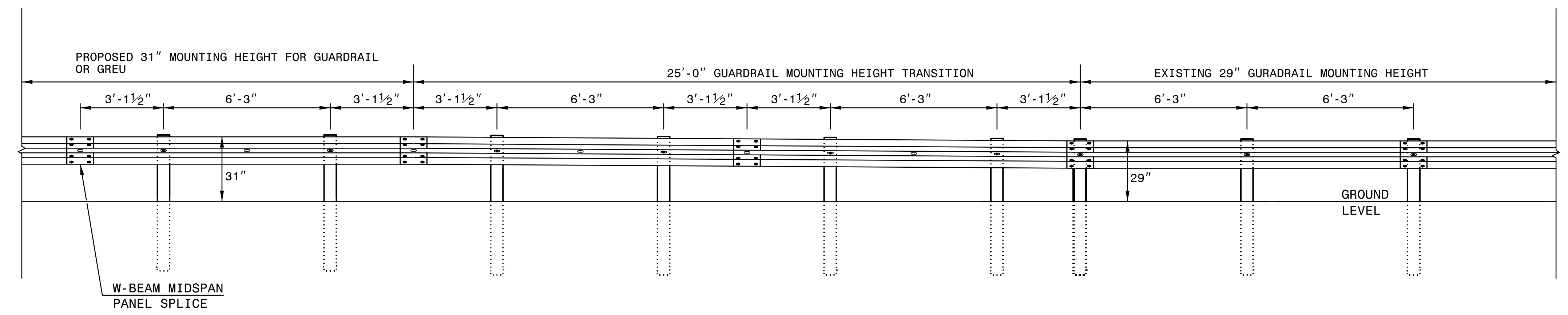


**NOTE: IF EXISTING GUARDRAIL IS LOWER THAN 29", USE AN ADDITIONAL 12'-6" LONG SECTION OF GUARDRAIL, FOR EVERY 1" OF HEIGHT DIFFERENCE, TO TRANSITION FROM EXISTING GUARDRAIL TO PROPOSED 31" GUARDRAIL.**



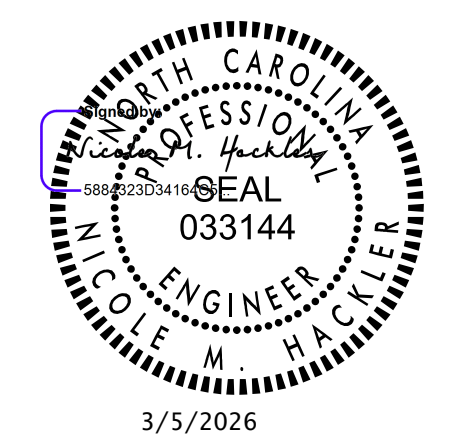
**ELEVATION VIEW**

**TRANSITION FROM 29" TO 31" W-BEAM GUARDRAIL MOUNTING HEIGHT**

STATE OF  
NORTH CAROLINA  
DEPT. OF TRANSPORTATION  
DIVISION OF HIGHWAYS  
RALEIGH, N.C.

ROADWAY DETAIL DRAWING FOR  
**GUARDRAIL INSTALLATION**

SHEET 5 OF 9  
**862D02**



05-FEB-2025 07:53  
U:\spec\of\Details\Revisions\862D02 Detail\862D02.dgn  
\$\$\$\$\$USERNAME\$\$\$\$\$

DOCUMENT NOT CONSIDERED FINAL  
UNLESS ALL SIGNATURES COMPLETED

**CONTRACTS STANDARDS  
AND DEVELOPMENT UNIT**  
Office 919-707-8950 FAX 919-250-4119

**SEE TITLE BLOCK**

ORIGINAL BY: K. Aldridge DATE: 02-25  
MODIFIED BY: DATE: \_\_\_\_\_  
CHECKED BY: DATE: \_\_\_\_\_  
FILE SPEC.: \_\_\_\_\_