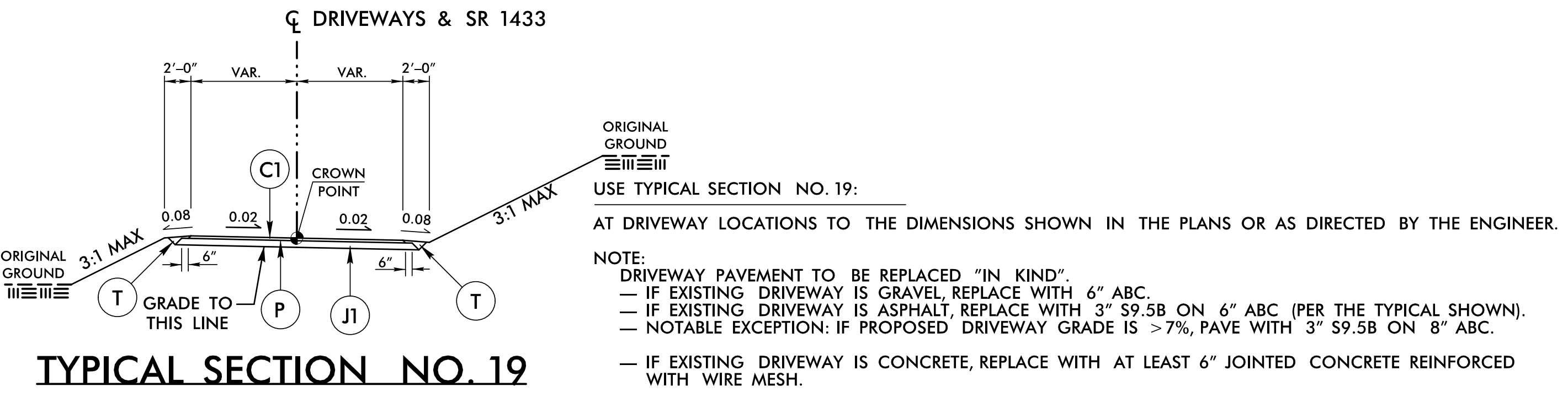
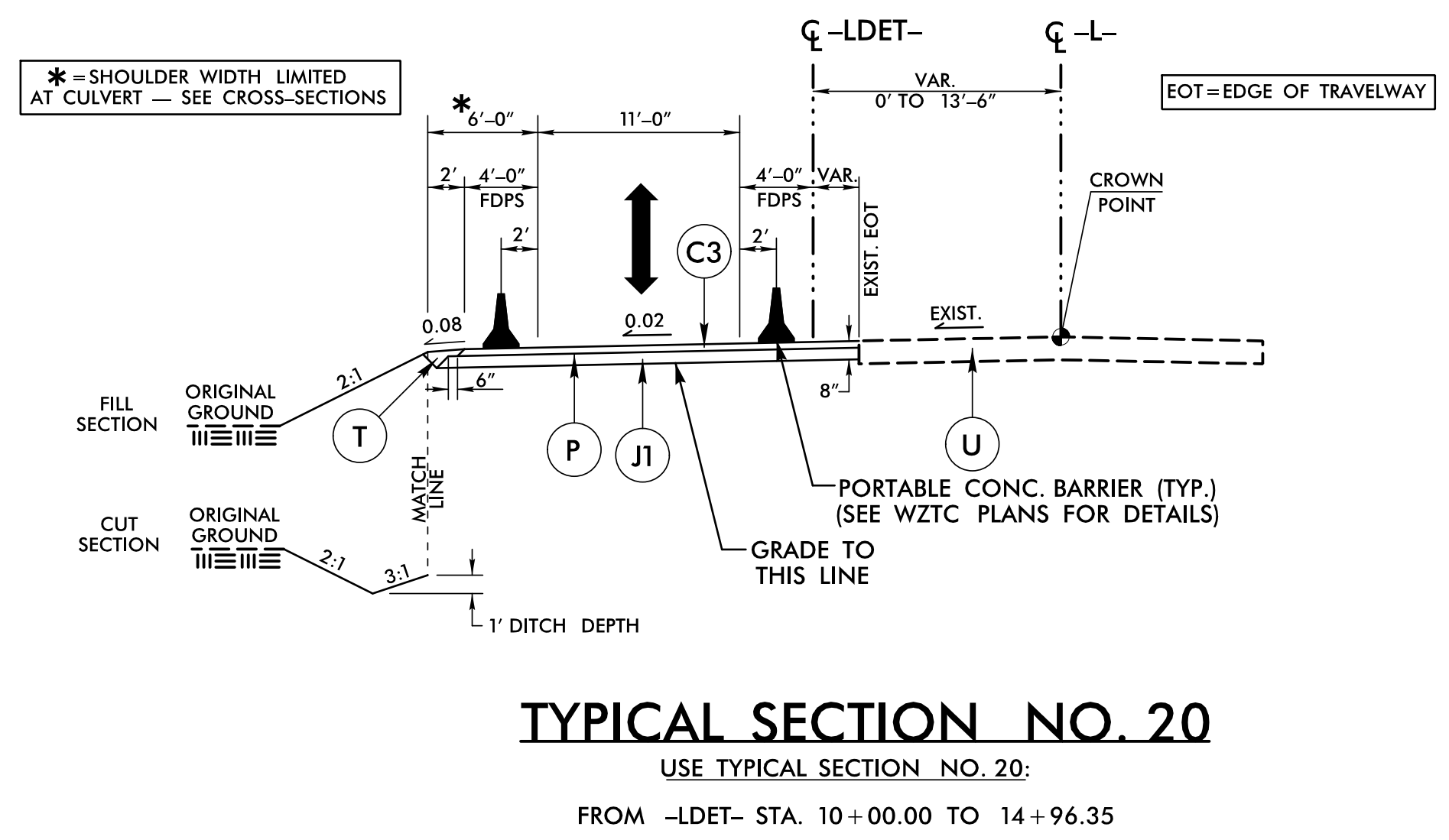
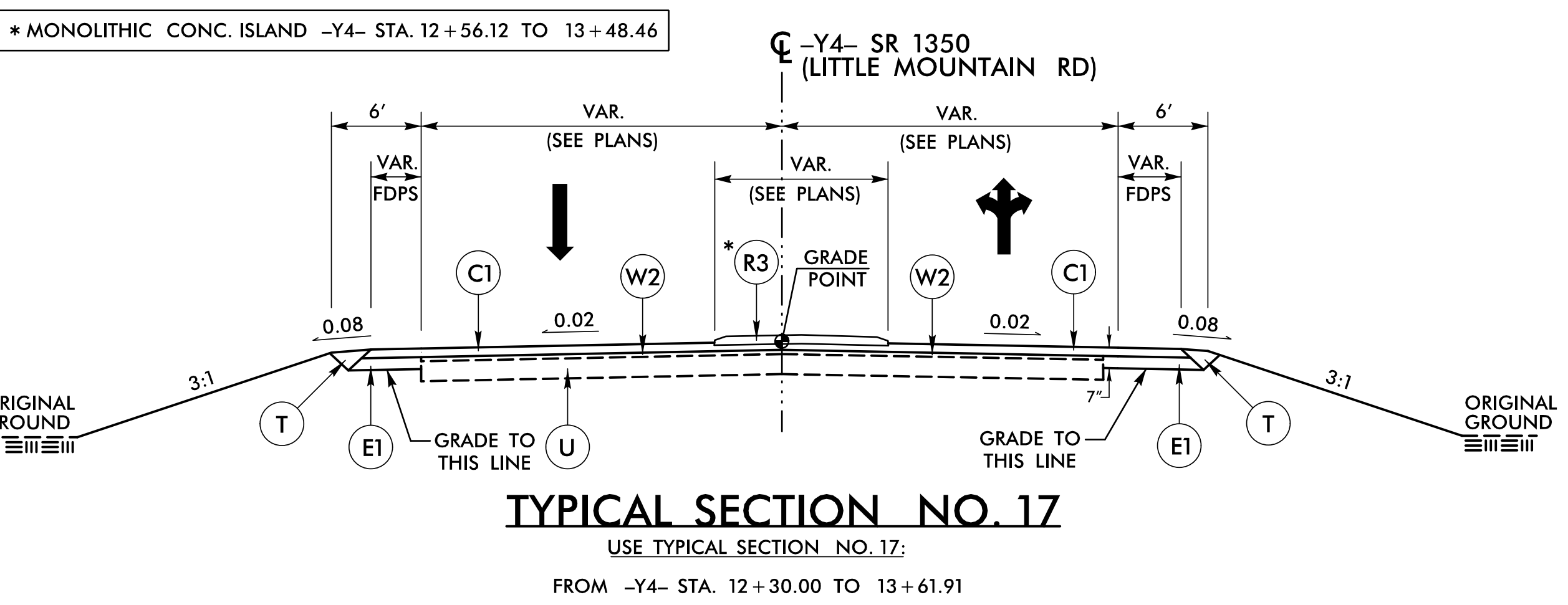
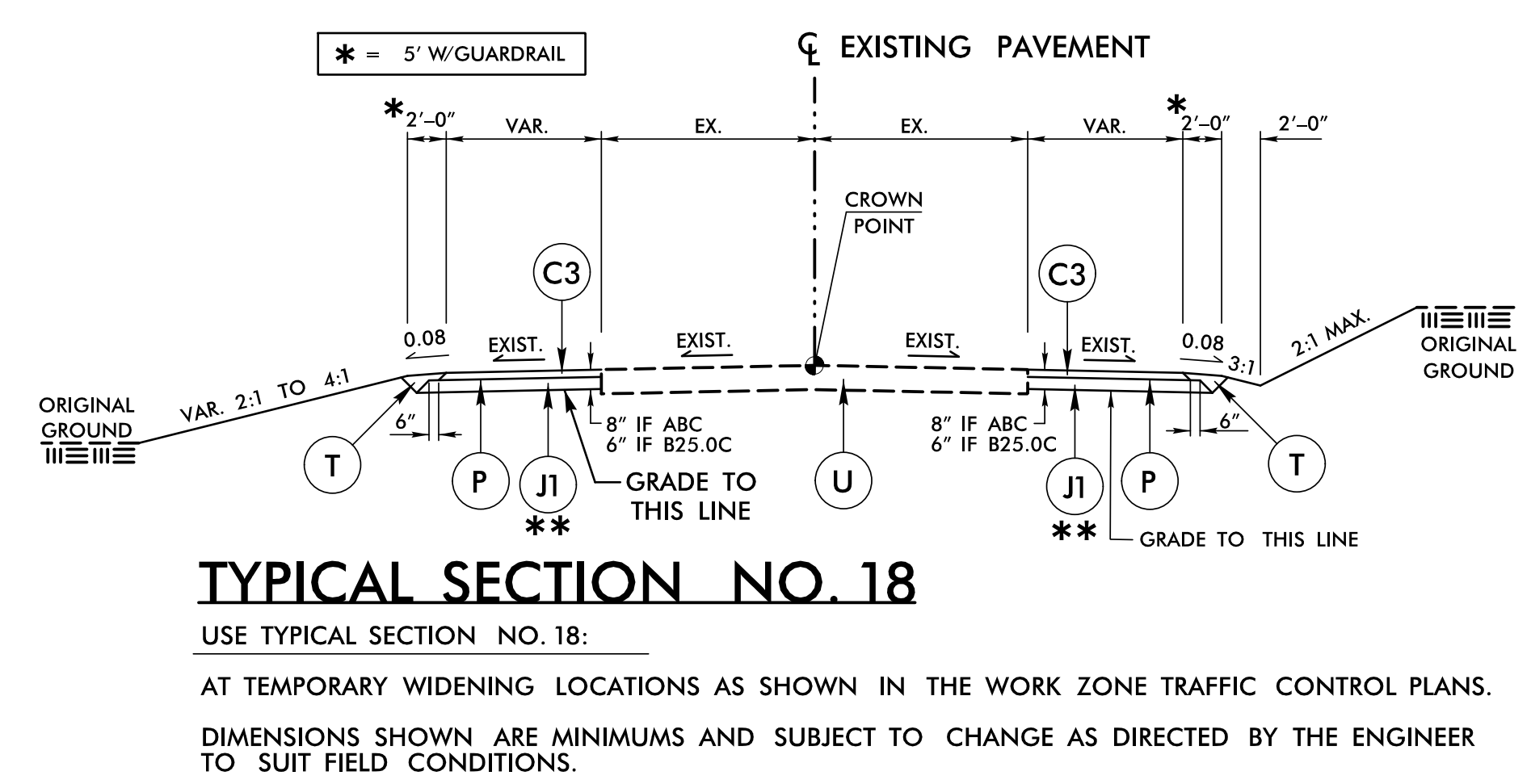
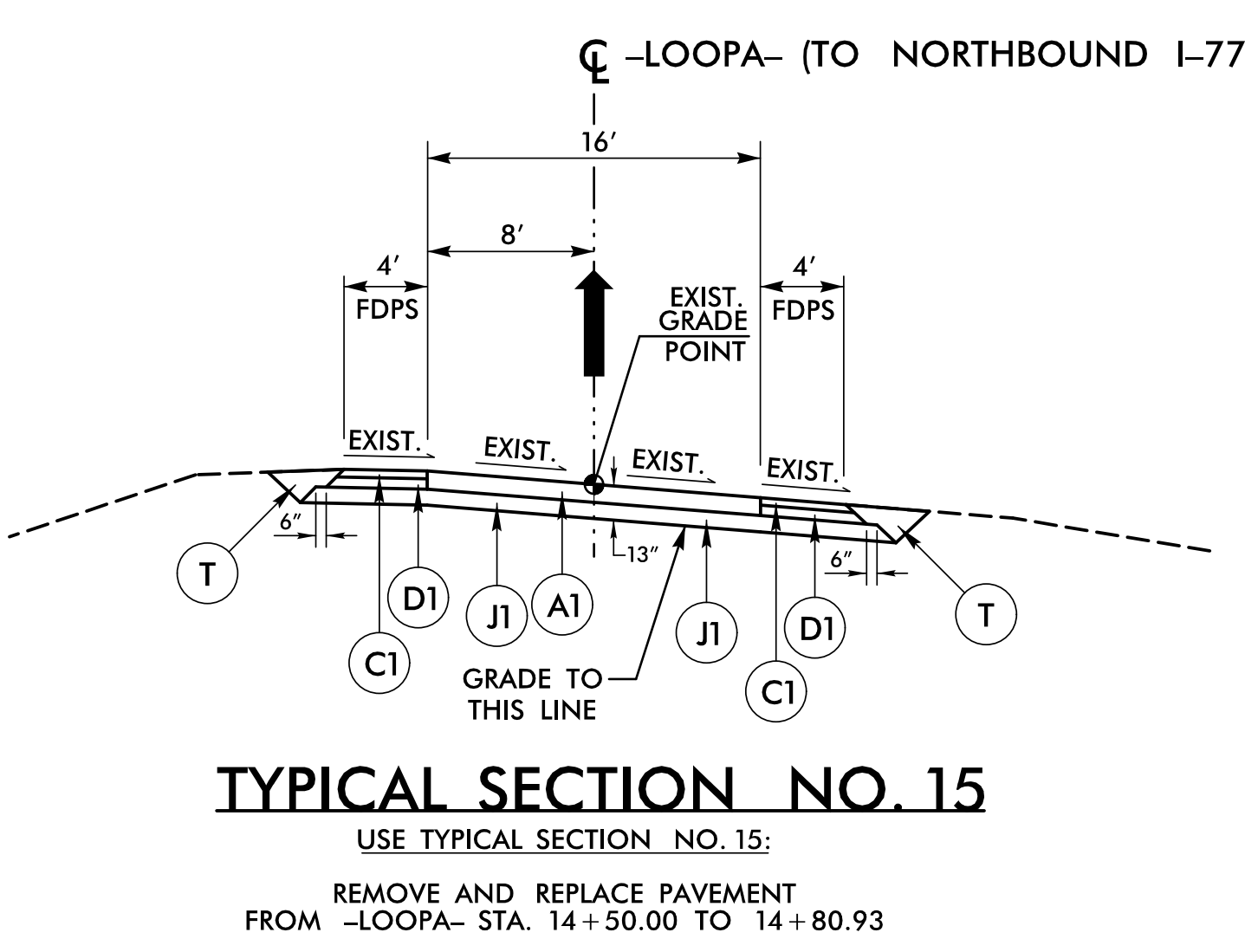
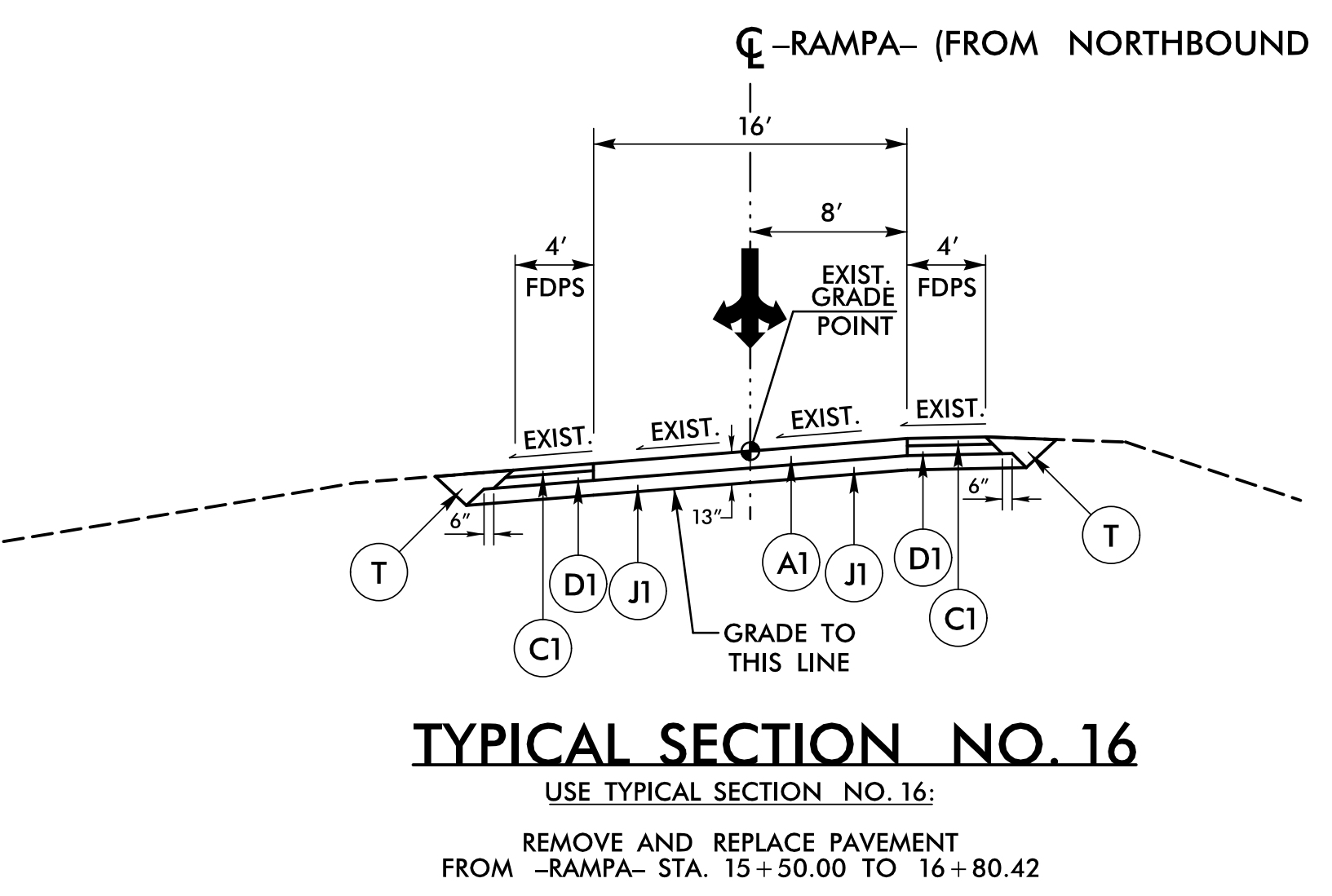
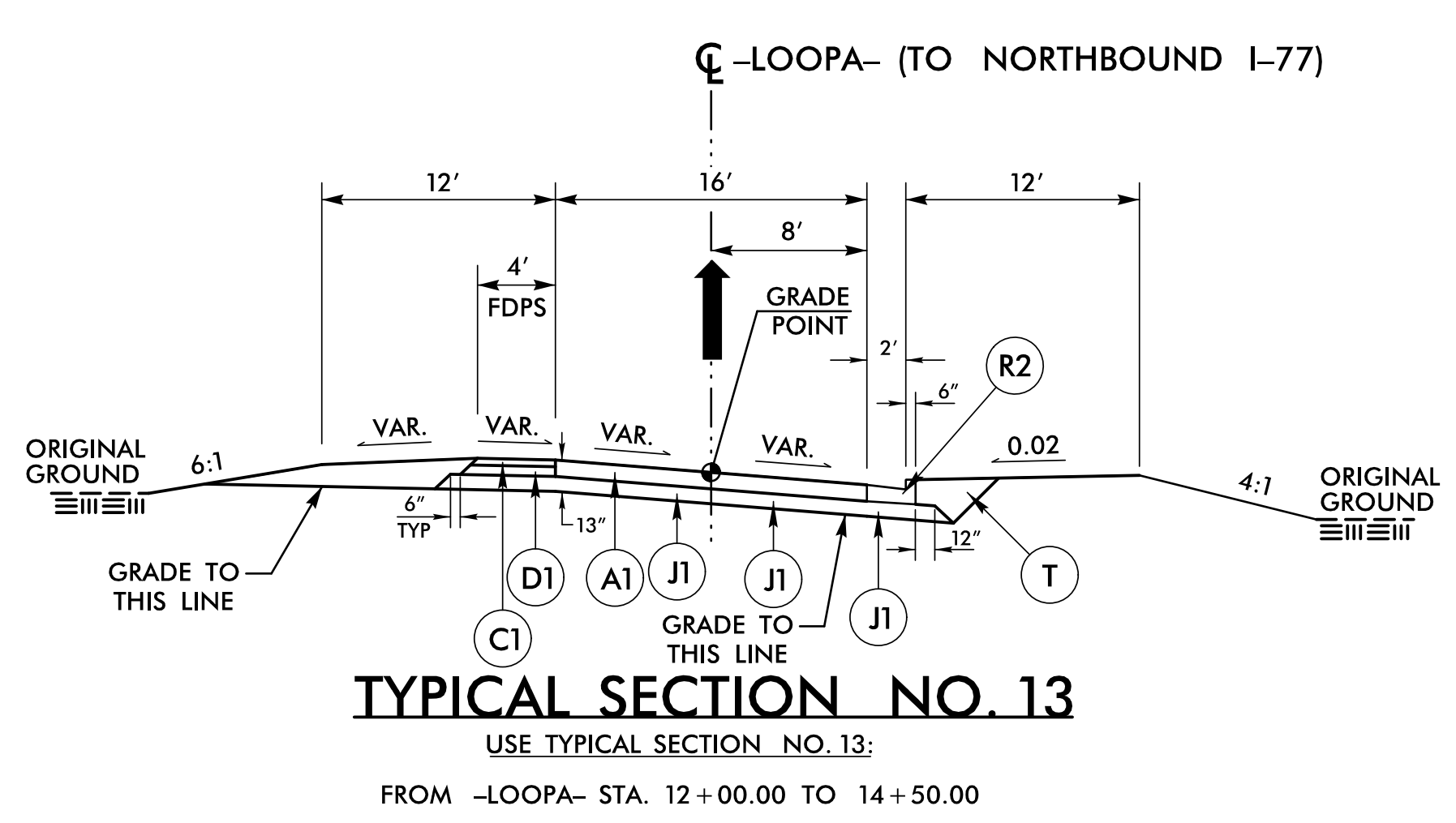
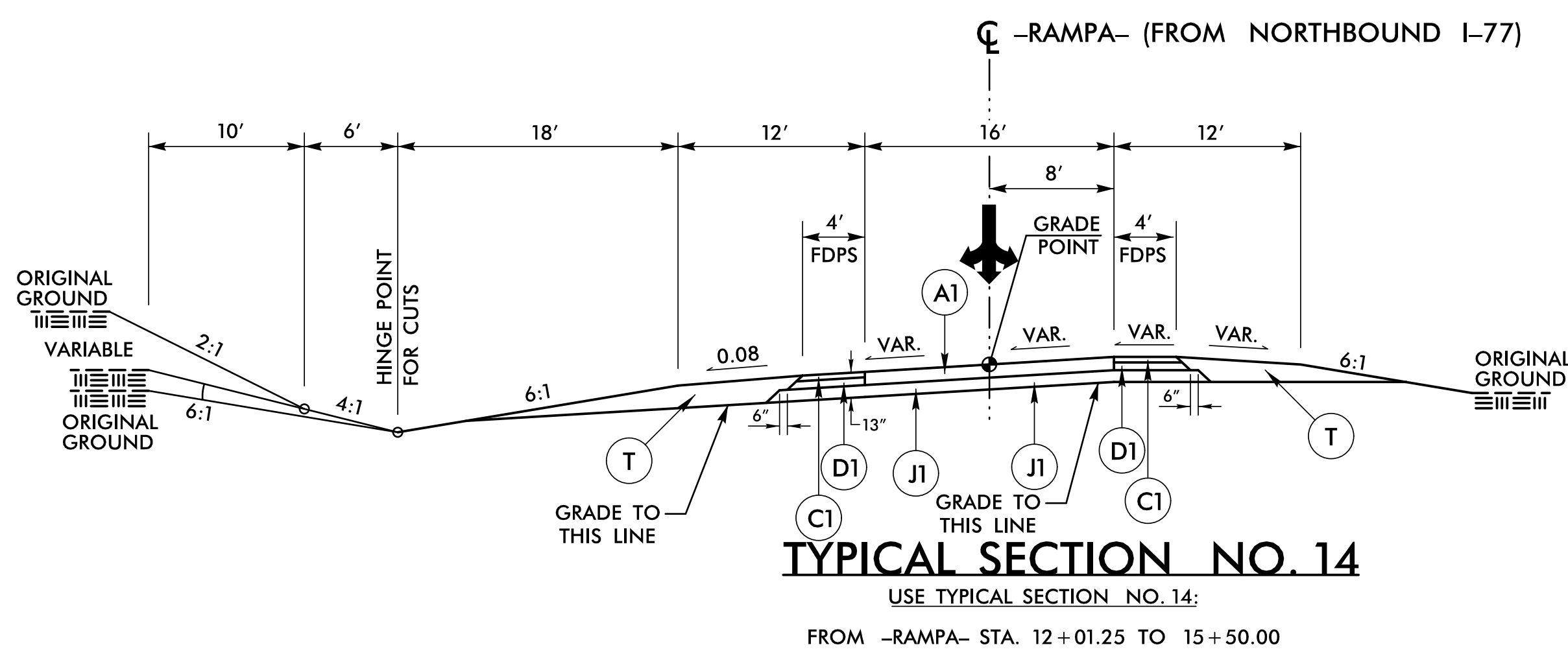


6/2/2026

PROJECT REFERENCE NO. <b>B-5833</b>	SHEET NO. <b>2A-5</b>
ROADWAY DESIGN ENGINEER <b>ELIOTT'S DESIGN SEAL 027418</b> 3/9/2026	PAVEMENT DESIGN ENGINEER <b>ELIOTT'S DESIGN SEAL 044590</b> 3/10/2026

**DOCUMENT NOT CONSIDERED FINAL  
UNLESS ALL SIGNATURES COMPLETED**

TGS ENGINEERS  
706 HILLSBOROUGH ST. SUITE 200  
RALEIGH, NC 27603  
PH (919) 773-8887  
CORP. LICENSE NO.: C-0275



A1	7" CONCRETE
C1	3" S9.5B
C2	VAR. S9.5B
C3	2" S9.5B
C4	3" S9.5C
D1	4" I19.0C
D2	VAR. I19.0C
E1	4" B25.0C
E2	VAR. B25.0C
E3	7.25" B25.0C
J1	6" ABC
P	PRIME COAT
R1	8"x18" CURB
R2	2'-6" C&G
R3	MONO. CONC. ISL.
R4	SBG
R5	41" BARRIER
T	EARTH MATERIAL
U	EXIST. PAVEMENT
V1	INC. MILLING
V2	RUMBLE STRIPS
W1	WEDGING
W2	WEDGING

3/9/2026  
C:\p\c\c\ts\ncd001\B-5833\Roadway\Proc\165833\_r.dwg - t.gjp.dgn  
User: t.gjp